

# Block assembly kit, Series AS2-MBR-...-W04

- Polyamide



Ambient temperature min./max.

-10 ... 50 °C

Weight

0,01 kg

## Technical data

Part No.

R412006371

Scope of delivery incl. 2 mounting screws M3x53-4.8-A2R according to EN ISO 7046-1 (countersunk screw with type H X-slot), 1x O-ring

Suitable for use in Ex zones 1, 2, 21, 22.

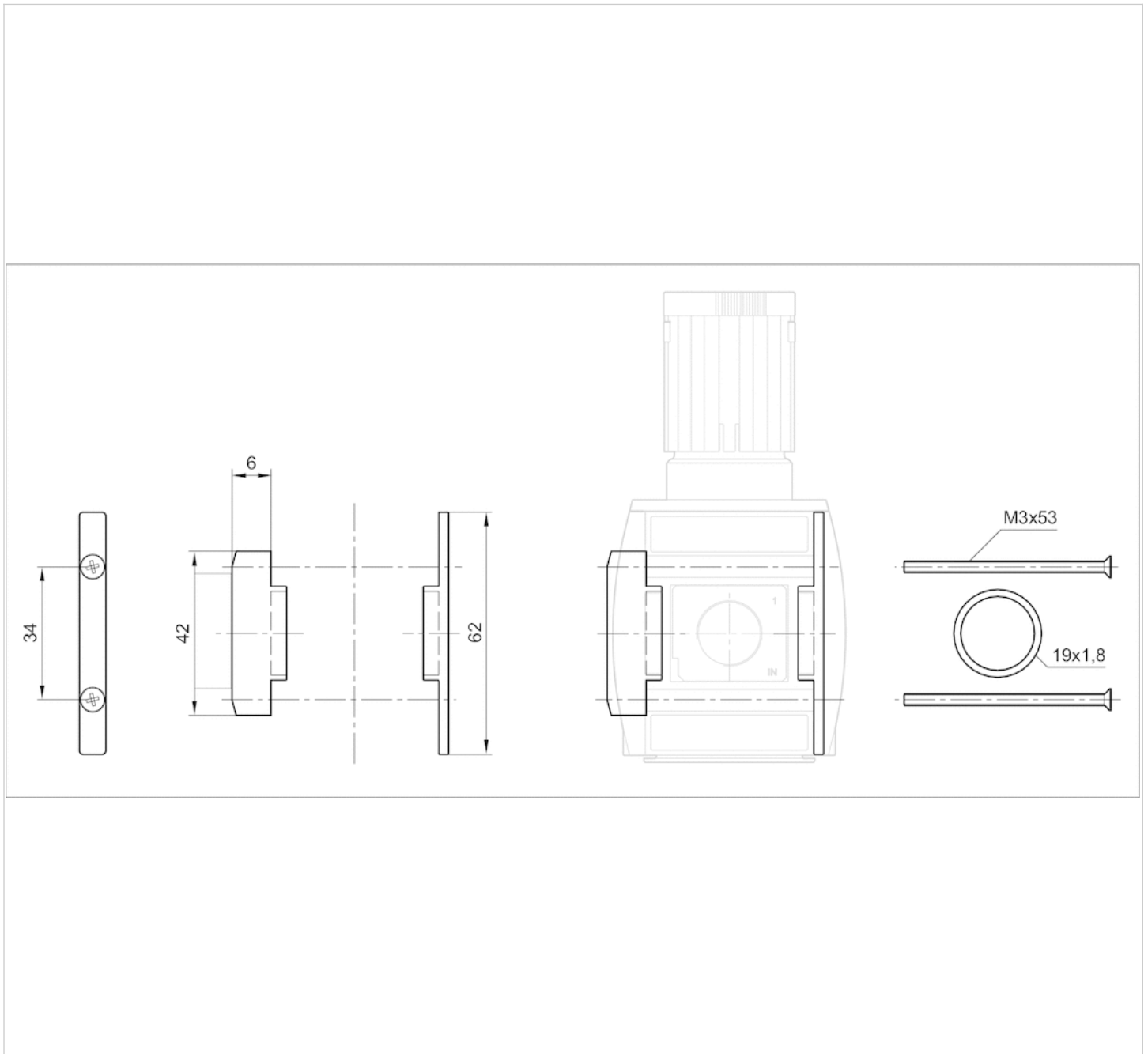
## Technical information

### Material

Housing	Polyamide
Seal	Acrylonitrile butadiene rubber

## Dimensions

### Dimensions in mm



# Block assembly kit, Series AS3-MBR-...-W04

- Polyamide



Ambient temperature min./max.

-10 ... 50 °C

Weight

0,032 kg

## Technical data

Part No.

R412007371

Scope of delivery incl. 2 mounting screws M5x68-4.8-A2R according to EN ISO 7046-1 (countersunk screw with type H X-slot), 1x O-ring

Suitable for use in Ex zones 1, 2, 21, 22.

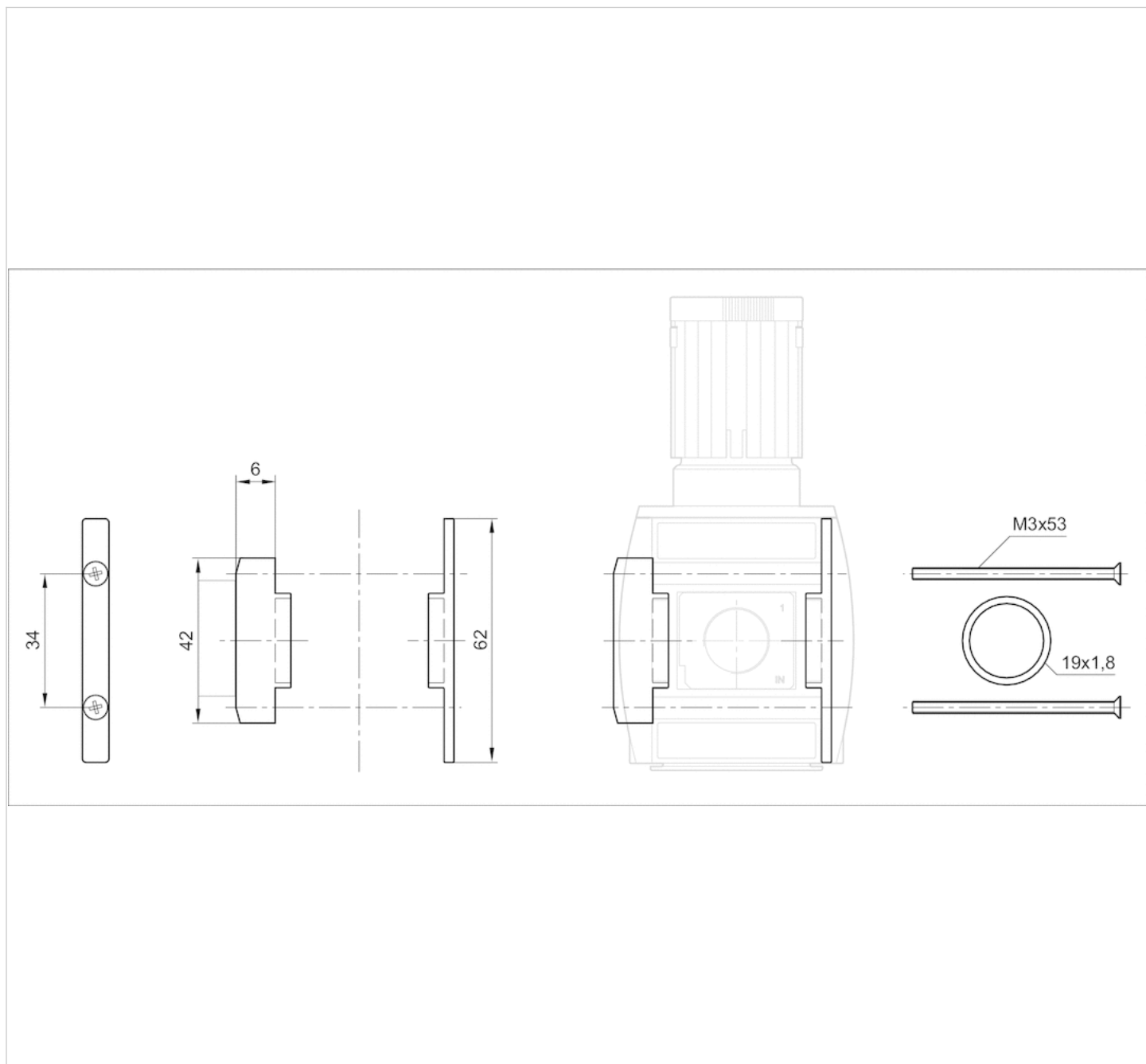
## Technical information

### Material

Housing	Polyamide
Seal	Acrylonitrile butadiene rubber

## Dimensions

### Dimensions in mm



### Dimensions in mm

Part No.	A	B	C	D	L	M
R412007371	75	75	42	12.5	M5x68	23x2

# Efficient pneumatic solutions, our program: cylinders and drives, valves and valve systems, air supply management



Visit us: [Emerson.com/Aventics](https://www.emerson.com/Aventics)

Your local contact: [Emerson.com/contactus](https://www.emerson.com/contactus)



Emerson.com



Facebook.com/EmersonAutomationSolutions



LinkedIn.com/company/Emerson-Automation-Solutions



Twitter.com/EMR\_Automation

An example configuration is depicted on the title page. The delivered product may thus vary from that in the illustration. Subject to change. This Document, as well as the data, specifications and other information set forth in it, are the exclusive property of AVENTICS GmbH. It may not be reproduced or given to third parties without its consent. Only use the AVENTICS products shown in industrial applications. Read the product documentation completely and carefully before using the product. Observe the applicable regulations and laws of the respective country. When integrating the product into applications, note the system manufacturer's specifications for safe use of the product. The data specified only serve to describe the product. No statements concerning a certain condition or suitability for a certain application can be derived from our information. The information given does not release the user from the obligation of own judgement and verification. It must be remembered that the products are subject to a natural process of wear and aging.

The Emerson logo is a trademark and service mark of Emerson Electric Co. Brand logotype are registered trademarks of one of the Emerson family of companies. All other marks are the property of their respective owners. © 2021 Emerson Electric Co. All rights reserved.  
2021-05



**CONSIDER IT SOLVED™**

# Block assembly kit, Series AS5-MBR-...-W04

- Polyamide



Ambient temperature min./max.

-10 ... 50 °C

Weight

0,075 kg

## Technical data

Part No.

R412009371

Scope of delivery incl. 2 mounting screws M6x90-4.8-A2R according to EN ISO 7046-1 (countersunk screw with type H X-slot), 1x O-ring

Suitable for use in Ex zones 1, 2, 21, 22.

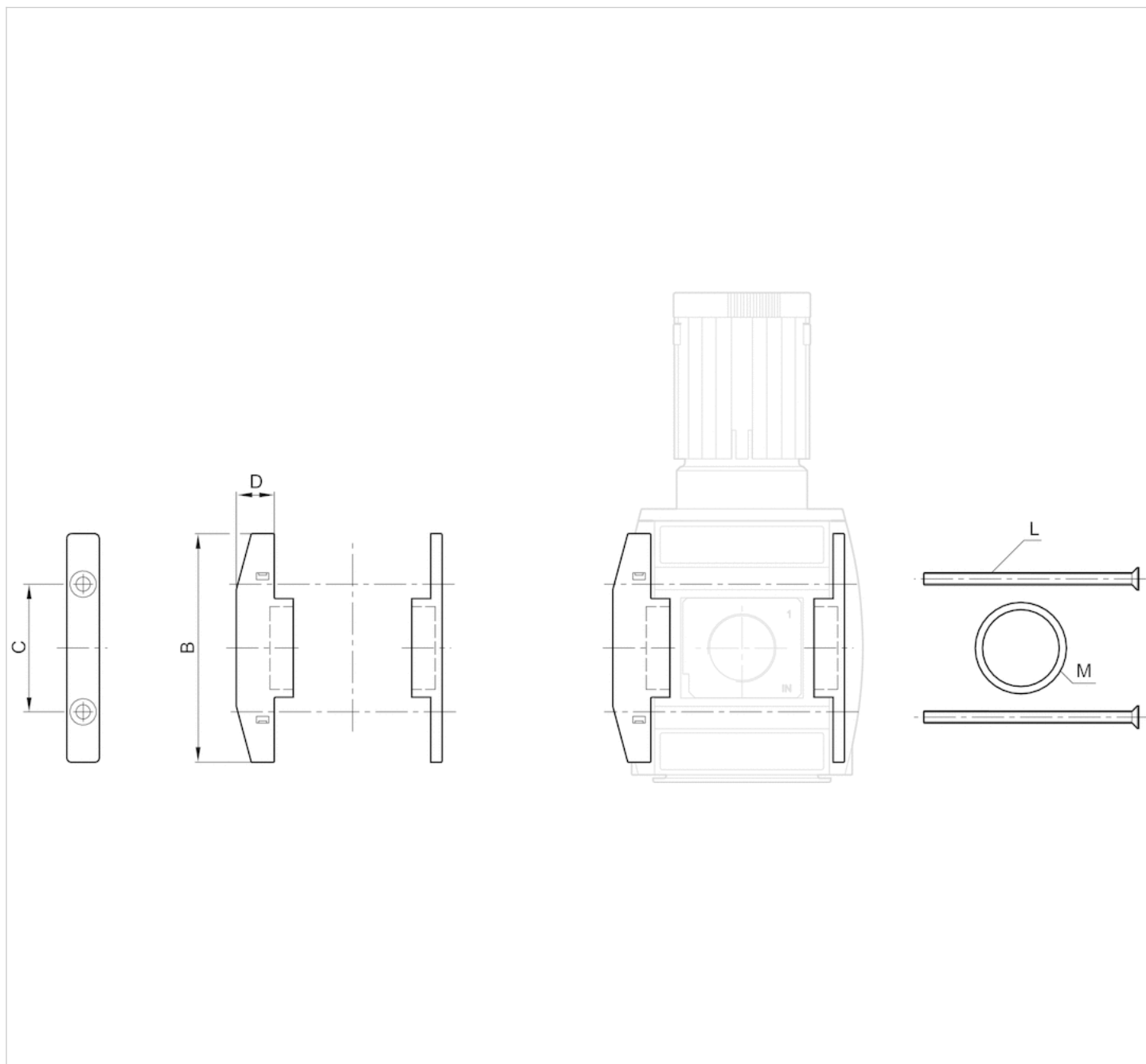
## Technical information

### Material

Housing	Polyamide
Seal	Acrylonitrile butadiene rubber

## Dimensions

### Dimensions



## Dimensions

Part No.	B	C	D	L	M
R412009371	102	57	17	M6x90	37x2,3

# Block assembly kit, Series AS1-MBR-...-W04

- Polyamide



Ambient temperature min./max.

-10 ... 50 °C

Weight

0,014 kg

## Technical data

Part No.

R412014758

Scope of delivery incl. 2 mounting screws M3x53-4.8-A2R according to EN ISO 7046-1 (countersunk screw with type H X-slot), 1x O-ring

## Technical information

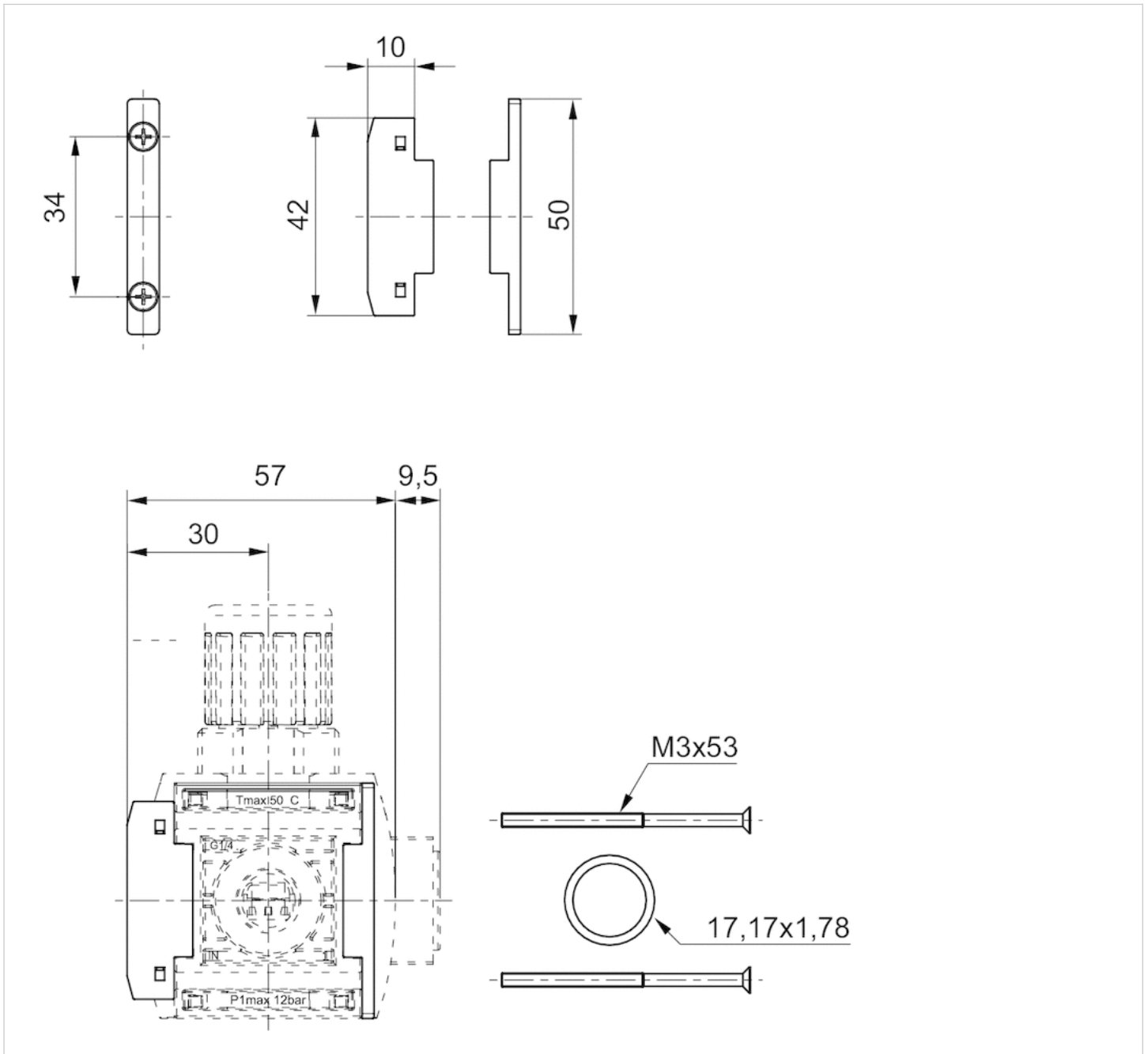
Material

Housing	Polyamide
Seal	Acrylonitrile butadiene rubber



## Dimensions

### Dimensions in mm



### Dimensions in mm

Part No.	A	B	C	D	E	F	G	H	I
R412014758	50	42	10	34	57	30	9.5	M3x53	17,17x1,78

Scope of delivery incl. 2 mounting screws M3x53-4.8-A2R according to EN ISO 7046-1 (countersunk screw with type H X-slot), 1x O-ring