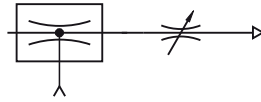


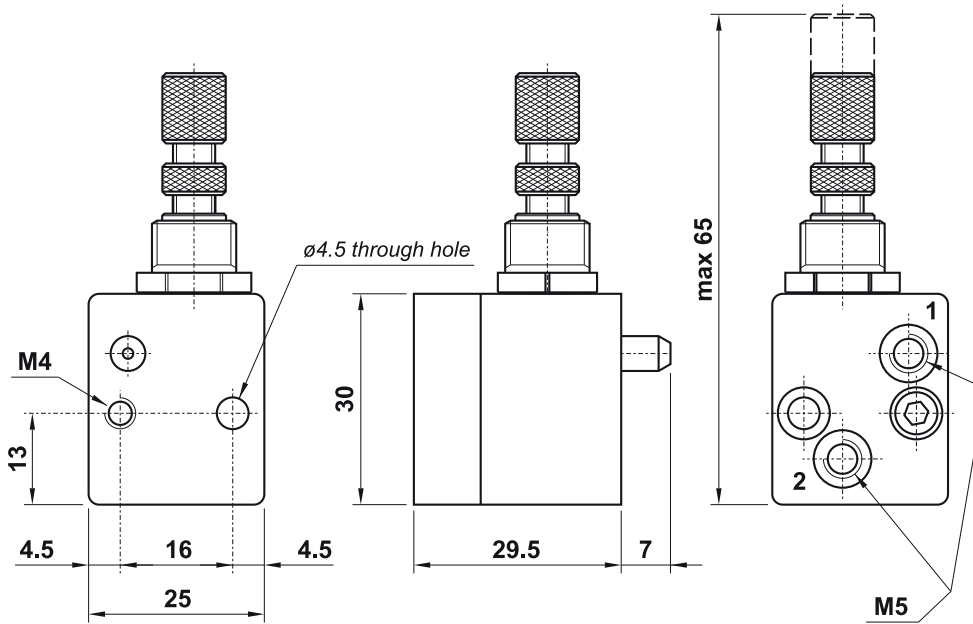
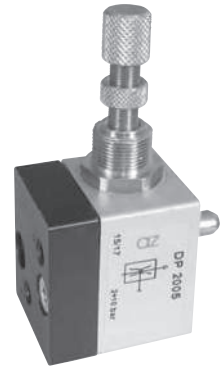
Vacuum Driven Liquid Sprayer

DP 2005 - 03.009.4



vacuum driven liquid sprayer

This valve works on the venturi principle and is primarily used for air driven liquid spraying applications such as conveyor lubrication and sawing machines.



- 1 = attacco per l'aria
air inlet
- 2 = attacco per il liquido da aspirare
liquid inlet

Air consumption with completely open regulator:

- 4 bar: 20 NI/min
- 5 bar: 27 NI/min
- 6 bar: 37 NI/min

Materials

- Body: aluminium 11S*
- Springs: stainless steel*
- Seals: NBR*
- Internal parts: brass OT58*

<i>Viscosity of liquid</i>	3°Engler ... 5°Engler
<i>Ports</i>	M5
<i>Temperature range</i>	max +60°C
<i>Working pressure</i>	3 ... 8 bar 0.3 ... 0.8 MPa
<i>Fluid</i>	50µ filtered, lubricated or non lubricated air

Quantity of liquid in relation to line pressure

