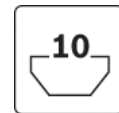


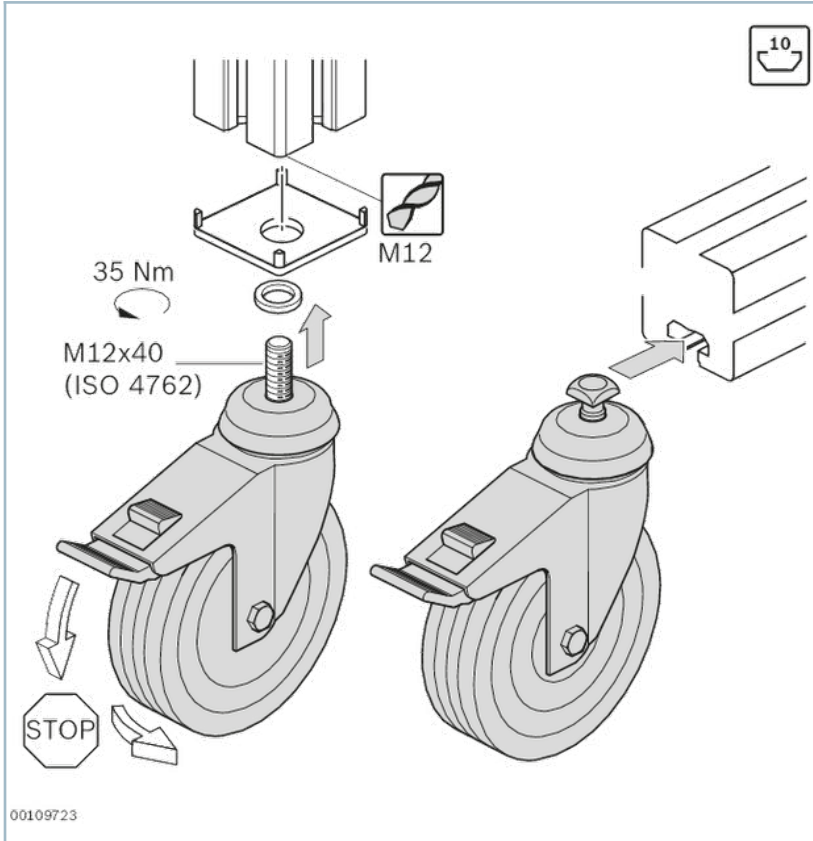
## Roller, gentle on floors



- Especially gentle on floors
- Suitable for ESD-sensitive areas. Conductive material version in accordance with DIN EN 61340-5-1; conduction resistance  $\leq 10^6 \Omega$

- Versatile range of uses
- Wheels with excellent running properties
- Available as a caster wheel with lock, caster, and trestle wheel
- All wheels mounted in the profile slot or central hole (accessories required)
- Profile finishing: thread cutting M12 in the case of assembly in central hole
- LR with lock: lock prevents the wheel from rolling or turning

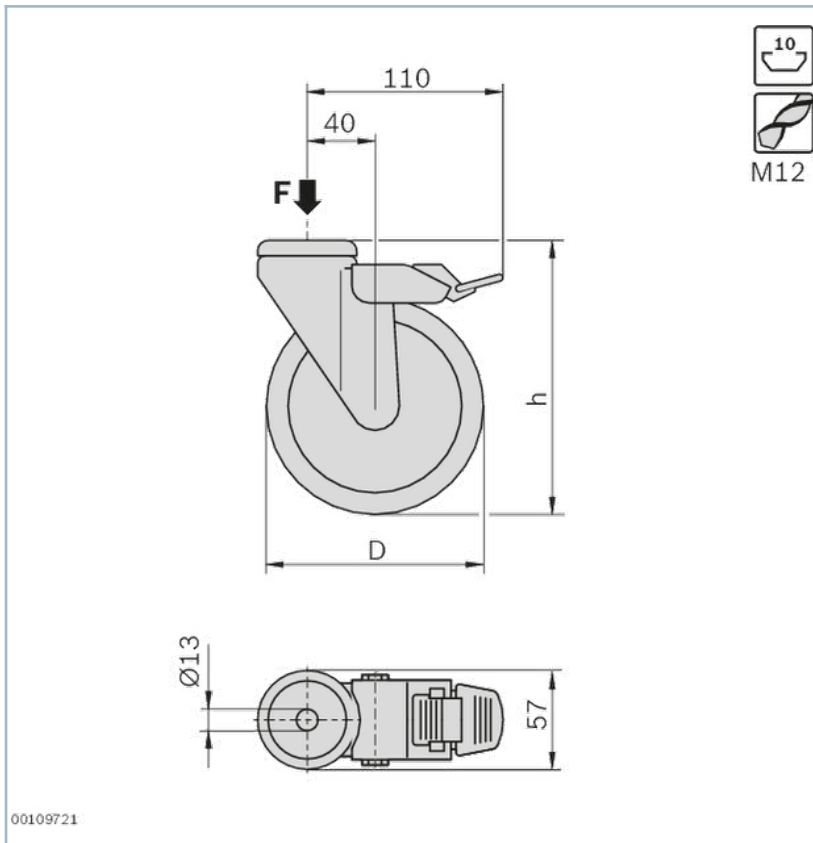
# Product description



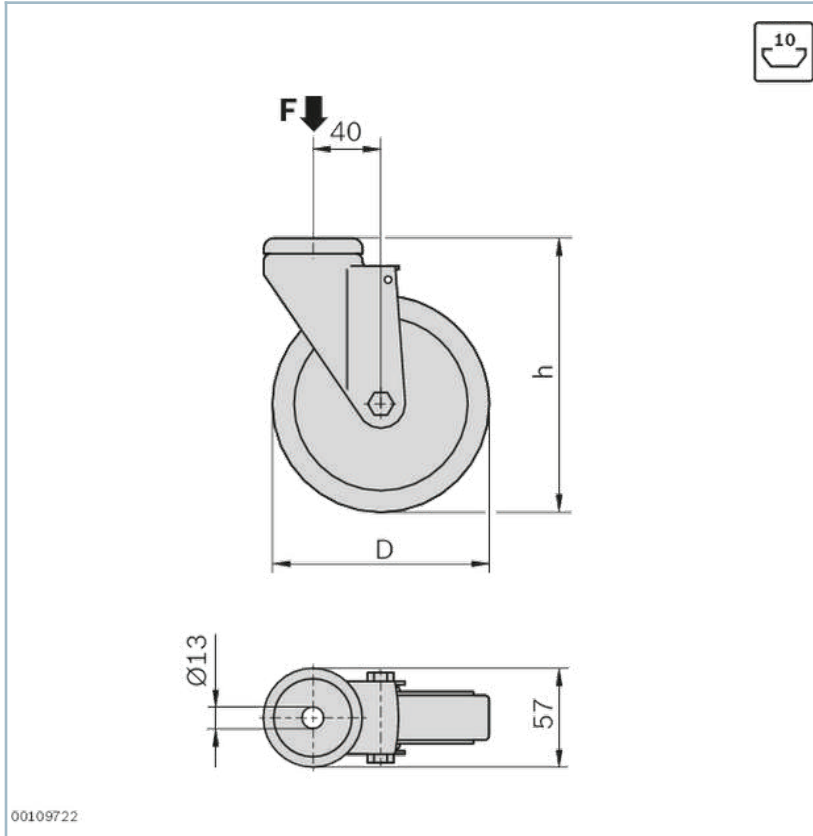
Wheel selection guide

# Dimensions

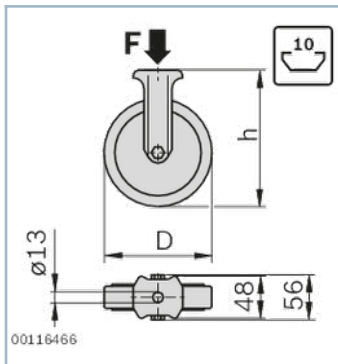
## D125 LR with lock



## D125 LR



## Trestle wheel



## Accessories



Bearing ring







- For cover caps with hole in the sizes 40x40, 45x45, 50x50 and 60x60
- For M12 threads
- To protect the caps when tightening accessories

## Delivery notes

FS1



# Ordering codes

	F	D	h	ESD	FS	No.
	N	mm	mm			
LR with lock, rubber, F900	900	80	108		FS1	3842541226
LR with lock, rubber, F1100	1100	125	158		FS1	3842541228
LR with lock, rubber, F900, ESD	900	80	108		FS1	3842541230
LR with lock, rubber, F1100, ESD	1100	125	158		FS1	3842541232
LR, rubber, F900	900	80	108		FS1	3842541234
LR, rubber, F1100	1100	125	158		FS1	3842541236
LR, rubber, F900 ESD	900	80	108		FS1	3842541238
LR, rubber, F1100 ESD	1100	125	158		FS1	3842541240
Trestle wheel, rubber, F900	900	80	108		FS1	3842541242
Trestle wheel, rubber, F1100	1100	125	158		FS1	3842541244