

4 COMPACT CYLINDERS



TECHNICAL SPECIFICATIONS

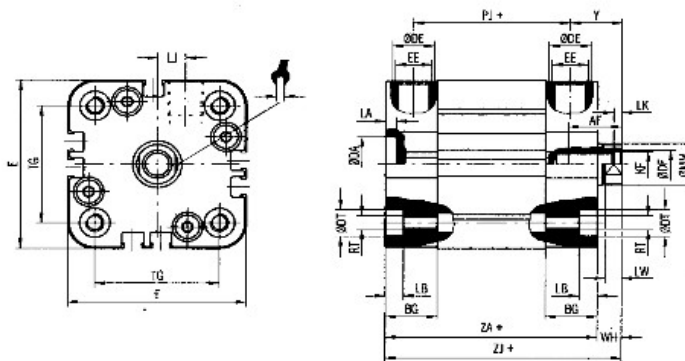
Ambient temperature -25°C to $+80^{\circ}\text{C}$
 Temperature of medium 80°C Max

PNEUMATIC

Minimum acceptable pressure 1 bar
 Rated pressure 10 bar

Ø	AF	BG	ØDA	ØDE	ØDF	ØDT	E	EE	KF	LA	LB	LJ	LK	LW	ØMM	PJ	RT	TG	WH	Y	ZA	ZJ	
20	10	12.5	12	$8^{+0.2}$	6.2	8	36	M5	M6	2.5	4.4	4.5	2.5	4	10	22	M5	8	22^{+0}	6	13.5	37	43^{-1}
24	10	13	12	$8^{+0.2}$	6.2	8	40	M5	M6	2.5	4.4	5.4	2.5	4	10	24	M5	8	$26^{+0.4}$	6	13.5	39	$45^{-1.4}$
32	12	14.5	14	$15^{+0.4}$	8.2	11	50	G1/8	M8	2.5	5.4	5.1	2.5	4.5	12	29	M6	10	$32^{+0.5}$	7	14.5	44	$51^{-1.6}$
40	12	14.5	14	$15^{+0.4}$	8.2	10	60	G1/8	M8	2.5	5.4	9.6	2.5	4.5	12	30	M6	10	$42^{+0.5}$	7	14.5	45	52^{-1}
50	16	14.5	18	$15^{+0.4}$	10.2	11	68	G1/8	M10	2.5	1.7	8.5	3.5	6	16	30	M8	13	$50^{+0.6}$	8	15.5	45	53^{-1}
63	16	14.5	18	$15^{+0.4}$	10.2	11	84	G1/8	M10	2.5	1.7	-17.8	3.5	6	16	34	M8	13	$62^{+0.7}$	8	15.5	49	57^{-1}
80	20	16.5	23	$15^{+0.4}$	12.2	15	103	G1/8	M12	3	0.5	-22.9	3.5	7	20	37.5	M10	16	$82^{+0.7}$	10	18	54	64^{-2}
100	24	19.5	28	$15^{+0.4}$	16.2	15	124	G1/8	M16	3	3.5	-27.4	4.5	8	25	47.5	M10	21	$103^{+0.7}$	10	20	67	77^{-2}

COMPACT CYLINDER Double Acting



DESIGN

- Suitable for oil-free operation
- Piston rod: stainless steel, smooth rolled
- Cylinder and cover: anodized aluminium profile
- Cover screwed to housing galvanised screws
- Proximity-type signaling
- Seals: polyurethane
- Elastic impact cushioning on cylinder



CODE	DIA. mm	STROKE mm	€ x01
0822391000	20	5	50.06
0822391001	20	10	50.73
0822391002	20	15	51.28
0822391003	20	20	51.89
0822391004	20	25	52.52
0822391006	20	40	54.36
0822391007	20	50	55.64
0822392000	25	5	55.97
0822392001	25	10	57.05
0822392002	25	15	58.10
0822392003	25	20	59.22
0822392004	25	25	60.23
0822392006	25	40	63.46
0822392007	25	50	65.58
0822393000	32	5	61.22
0822393001	32	10	63.08
0822393002	32	15	64.80
0822393003	32	20	66.59
0822393004	32	25	68.46
0822393006	32	40	73.75
0822393007	32	50	77.31
0822394001	40	10	83.42
0822394004	40	25	89.45
0822394007	40	50	99.43
0822395001	50	10	96.65
0822395004	50	25	103.46
0822395007	50	50	114.86
0822396001	63	10	118.73
0822396004	63	25	126.26
0822396007	63	50	139.00

TECHNICAL SPECIFICATIONS

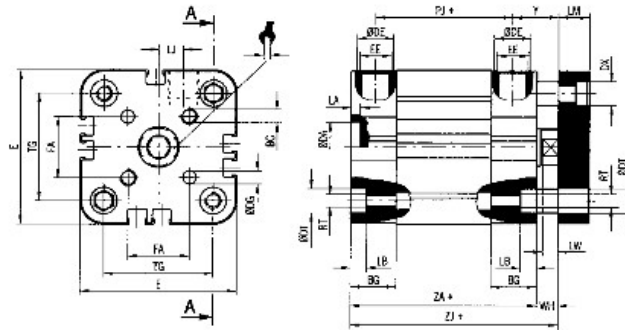
Ambient temperature _____ -25°C to +80°C
 Temperature of medium _____ 80°C Max

PNEUMATIC

Minimum acceptable pressure _____ 1 bar
 Rated pressure _____ 10 bar



Ø	BC	BG	DA	DE	DG	DT	DX	E	EE	FA	LA	LB	LE	LJ	LM	LW	PL	RT	TG	WH	Y	ZA	ZI
16	M3	12.5	10	8	3	6	6	29.5	M5	9.9	2.5	4	5	6.1	6	3.7	7.5	M4	18	4.5	12	38	42.5
20	M4	12.5	12	8	4	8	5	36	M5	12	2.5	4.4	5	4.5	8	4	7.5	M5	22	5	13.5	38	43
25	M5	13	12	8	5	8	6	40	M5	15.6	2.5	4.4	5	5.4	8	4	7.5	M5	26	5.5	13.5	39.5	45
32	M5	14.5	14	15	5	11	8	50	G1/8	19.8	2.5	5.4	8	5.1	10	4.5	7.5	M6	32	7.5	14.5	44	51
40	M5	14.5	14	15	5	10	8	60	G1/8	23.3	2.5	5.4	8	9.6	10	4.5	7.5	M6	42	7	14.5	45	52
50	M6	14.5	18	15	6	11	10	68	G1/8	29.7	2.5	1.7	8	8.5	12	6	7.5	M8	50	7.5	15.5	45.5	53



COMPACT CYLINDER
 Double Acting Anti-Torsion



DESIGN

- Suitable for oil-free operation
- Piston rod and guide rod: stainless steel, smooth rolled
- Cylinder and cover: anodized aluminium profile
- Cover screwed to housing galvanised screws
- Proximity-type signaling
- Seals: polyurethane
- Elastic impact cushioning on piston



CODE	DIA. mm	STROKE mm	€ x01
0822391600	20	5	77.88
0822391601	20	10	78.79
0822391602	20	15	79.77
0822391603	20	20	80.74
0822391604	20	25	81.56
0822391605	20	30	82.57
0822391606	20	40	84.35
0822391607	20	50	86.25
0822392600	25	5	90.95
0822392601	25	10	92.39
0822392602	25	15	93.75
0822392603	25	20	95.26
0822392604	25	25	96.65
0822392605	25	30	98.10
0822392606	25	40	100.96
0822392607	25	50	103.80
0822393600	32	5	101.83
0822393601	32	10	104.08
0822393602	32	15	106.25
0822393603	32	20	108.49
0822393604	32	25	110.66
0822393605	32	30	112.91
0822393606	32	40	117.31
0822393607	32	50	121.68
0822393609	32	80	134.87
0822393610	32	100	143.69



CODE	DIA. mm	STROKE mm	€ x01
0822394601	40	10	126.93
0822394602	40	15	129.39
0822394603	40	20	131.86
0822394604	40	25	134.41
0822394605	40	30	136.92
0822394606	40	40	142.01
0822394607	40	50	147.04
0822394609	40	80	162.12
0822394610	40	100	172.18
0822395602	50	15	164.02
0822395603	50	20	167.14
0822395604	50	25	170.16
0822395605	50	30	173.18
0822395606	50	40	179.22
0822395607	50	50	185.24
0822395609	50	80	203.44
0822395610	50	100	215.53