

FR + LUB Skillair®

Refer to the sections on the single modules for a further description, components and other technical data.



UNITS

FR + LUB Skillair®

TECHNICAL DATA	FR + LUB 100		FR + LUB 200			FR + LUB 300		
	Threaded port	1/4"	3/8"	1/4"	3/8"	1/2"	1/2"	3/4"
Setting range	0 to 8 - 0 to 12		0 to 8 - 0 to 12			0 to 8 - 0 to 12		
Degree of filtration	5 - 20 - 50 μm		5 - 20 - 50			5 - 20 - 50		
Max. inlet pressure	1.5 MPa		1.3			1.3		
	15 bar		13			13		
Flow rate at 6.3 bar ΔP 0.5 bar	217 psi		188			188		
	300 NI/min		1200			2300		
Flow rate at 6.3 bar ΔP 1 bar	11 scfm		43			82		
	800 NI/min		2400			4000		
Max temperature at 10 bar	28 scfm		85			142		
	50 $^{\circ}\text{C}$		50			50		
Weight	122 $^{\circ}\text{F}$		122			122		
	0.7 kg		1.35			2.7		
Wall fixing screws	M4 x 50		M4 x 60			M5 x 70		
Fluid	Compressed air							
Notes on use	<p>The maximum inlet pressure for the version with RA automatic condensate drainage must not exceed 10 bar. Do not take air from pressure gauge ports.</p>							

SYNOPTIC, SIZES AND VERSIONS

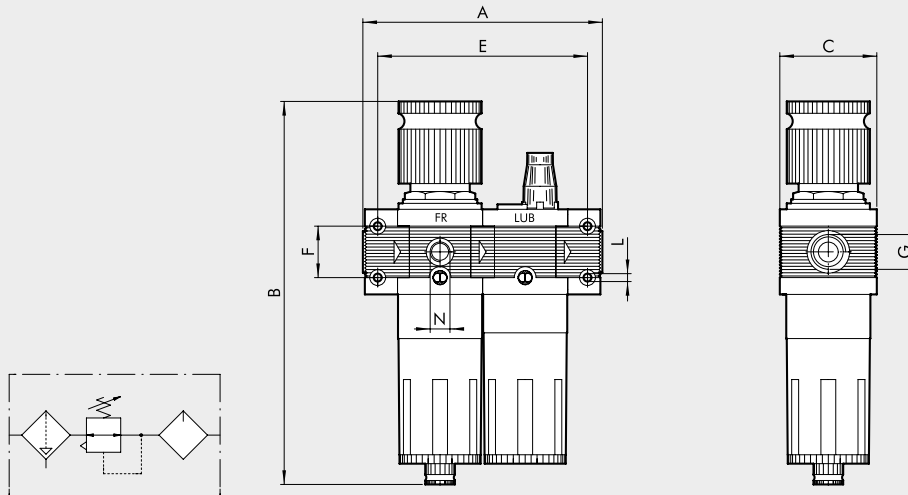
FR+L	100	1/4	20	08	RMSA
ELEMENT	SIZE	THREADED PORT	DEGREE OF FILTRATION	SETTING RANGE	TYPE OF CONDENSATION RANGE
FR+L	100	1/4	5 = 5 μm 20 = 20 μm 50 = 50 μm	08 = 0 to 8 bar 012 = 0 to 12 bar	RMSA
	200	3/8			SAC
		1/4			RMSA
300	3/8	1/2	SAC	RA	
		1/2	RMSA	RA	
	3/4	1			
		1			

RMSA: drain with manual condensate discharge and automatic discharge at zero pressure

RA: automatic drain with condensate discharge, independent of pressure and flow rate.
(for size 200, 300).
Version conveys the draining by inserting the pipe having internal diameter 6 mm in the lower port.

SAC: automatic drain with condensate discharge.
Operates by pressure drop – requires variable air take-offs.
(for size 100 and 200)

DIMENSIONS FR + L



	FR + LUB 100		FR + LUB 200			FR + LUB 300		
	1/4"	3/8"	1/4"	3/8"	1/2"	1/2"	3/4"	1"
Threaded port G						1/2"	3/4"	1"
A		121		149		175		177
B	RMSA	199		245			278	
	RA	-		249			282	
	SAC	203		249			282	
C		50		63			72	
E		106		134			157	
F		26		36			42	
L		Hole for M4 screws		Hole for M5 screws			Hole for M5 screws	
N (pressure gauge port)		1/8"		1/8"			1/8"	

ORDERING CODES

Codie	Description
FR+L Skillair® 100	
3284008	FR+L 100 1/4 20 08 RMSA
3284011	FR+L 100 1/4 20 012 RMSA
3384008	FR+L 100 3/8 20 08 RMSA
3384011	FR+L 100 3/8 20 012 RMSA
FR+L Skillair® 200	
3484008	FR+L 200 1/4 20 08 RMSA
3484011	FR+L 200 1/4 20 012 RMSA
3584008	FR+L 200 3/8 20 08 RMSA
3584011	FR+L 200 3/8 20 012 RMSA
3684008	FR+L 200 1/2 20 08 RMSA
3684011	FR+L 200 1/2 20 012 RMSA
FR+L Skillair® 300	
4484005	FR+L 300 1/2 20 08 RMSA
4484008	FR+L 300 1/2 20 012 RMSA
4584005	FR+L 300 3/4 20 08 RMSA
4584008	FR+L 300 3/4 20 012 RMSA
4684005	FR+L 300 1 20 08 RMSA
4684008	FR+L 300 1 20 012 RMSA

The following versions are available on request:
 - with 5 µm or 50 µm degree of filtration
 - with SAC or RA condensate discharge