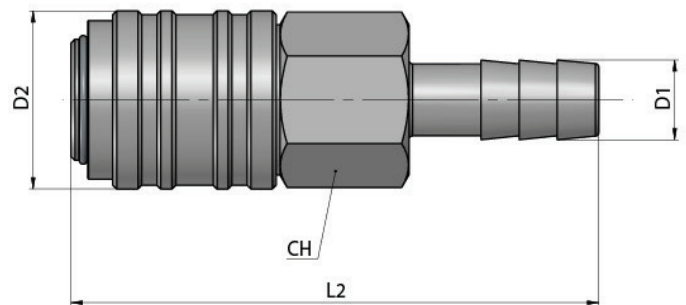
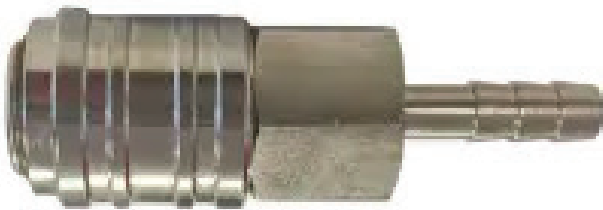


COUPLING BODY WITH INTEGRAL HOSETAIL

www.pneumatics.ie



Dimensions				
Product code	D1	D2	L2	CH
QRCU6H	6	23.5	69.5	20
QRCU9H	9	23.5	69.5	20



-20/+80 °C



0/15 bar