

For heavy duty applications, alpha series grade X25 micron threaded filter range removes high concentrations of dirt and liquid from compressed air.

# coarse filtration

# X25

filter model	pipe size	flow rate		dimensions (mm)				weight Kg	element model	no. of elements
		Nm <sup>3</sup> /h	SCFM	A	B	C	D			
A018 X25	¼"	13.6	8	50	18	152	75	0.3	E0304 X25	1
A019 X25	¼"	25.5	15	50	18	152	75	0.3	E0305 X25	1
A028 X25	¼"	42.5	25	70	25	191	85	0.6	E0406 X25	1
A038 X25	⅜"	59.5	35	70	25	191	95	0.6	E0407 X25	1
A058 X25	½"	85.0	50	70	25	232	135	0.7	E0413 X25	1
A059 X25	½"	119	70	100	35	276	155	1.6	E0613 X25	1
A078 X25	¾"	144	85	100	35	276	155	1.6	E0613 X25	1
A079 X25	¾"	212	125	100	35	396	225	2.0	E0620 X25	1
A108 X25	1"	229	135	100	35	396	225	2.0	E0620 X25	1
A109 X25	1"	297	175	100	35	396	275	2.0	E0625 X25	1
A128 X25	1¼"	476	280	122	42	460	320	2.8	E0730 X25	1
A158 X25	1½"	545	320	122	42	460	320	2.8	E0730 X25	1
A159 X25	1½"	680	400	146	52	482	325	4.2	E0830 X25	1
A208 X25	2"	765	450	146	52	482	325	4.2	E0830 X25	1
A209 X25	2"	1190	700	146	52	785	630	6.3	E0860 X25	1
A254 X25	2½"	1445	850	210	66	595	410	8.5	E1140 X25	1
A340 X25	3"	1530	900	210	66	595	410	8.5	E1140 X25	1
A360 X25	3"	2125	1250	210	66	815	630	10.5	E1160 X25	1
A390 X25	3"	2550	1500	210	66	975	785	12.0	E1175 X25	1
A391 X25	DN80	2160	1270	450	265	1205	700	58	E139 X25	1
A483 X25	DN100	3100	1824	520	285	1245	700	74	E88 X25	3
A484 X25	DN100	4250	2500	520	285	1245	700	74	E88 X25	4
A686 X25	DN150	6500	3824	680	400	1400	700	165	E88 X25	6
A688 X25	DN150	8720	5130	780	400	1430	700	208	E88 X25	8
A8810 X25	DN200	11000	6470	780	400	1460	700	260	E88 X25	10
A10816 X25	DN250	17000	10000	900	550	1570	700	450	E88 X25	16
A12824 X25	DN300	25500	15000	900	600	1620	700	740	E88 X25	24

Replacements and spare parts (refer to pages 38 – 41)

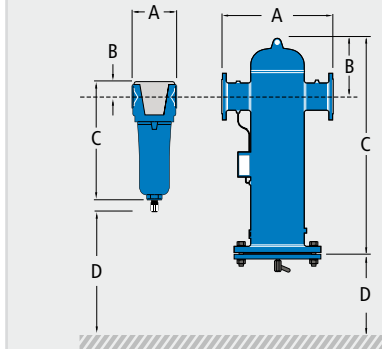


X25 element

float operated drain valve ADV6000(C)

### technical notes

- 1 Direction of air flow is inside to out through the filter element.
- 2 Pop up indicators (65DPUG) are fitted to models A028 X25 to A058 X25 as standard. Differential pressure indicators (65DPIG) are fitted to models A059 X25 to A12824 X25 as standard.
- 3 Threaded filters are fitted with float operated automatic drain valves. ADV6000C on models A018 X25 to A058 X25 and ADV6000 on models A059 X25 to A390 X25. Flanged filters are fitted with manual drain valves. On models A391 X25 to A8810 X25, ½" are fitted; ¾" on models A10816 X25 to A12824 X25.
- 4 Models A059 X25 to A390 X25 can be adapted to use ¼" drains with a reducer.
- 5 An additional ½" side entry port is included on models A391 X25 to A8810 X25, ¾" for A10816 X25 and A12824 X25.



A018 X25 to A390 X25 | A391 X25 to A12824 X25

## specification

Grade	X25	
Maximum particle size class to ISO 8573-1:2001 (E)	-	
Maximum oil content class to ISO 8573-1:2001 (E)	-	
Particle removal	25 micron	
Maximum oil carryover at 20°C (68°F)	10 mg/m <sup>3</sup>	8.2 ppm
Maximum temperature	up to 120°C	up to 248°F
Maximum working pressure	16 barg	232 psig
Element end cap colour	black	

