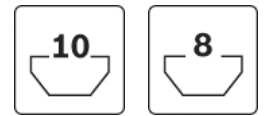
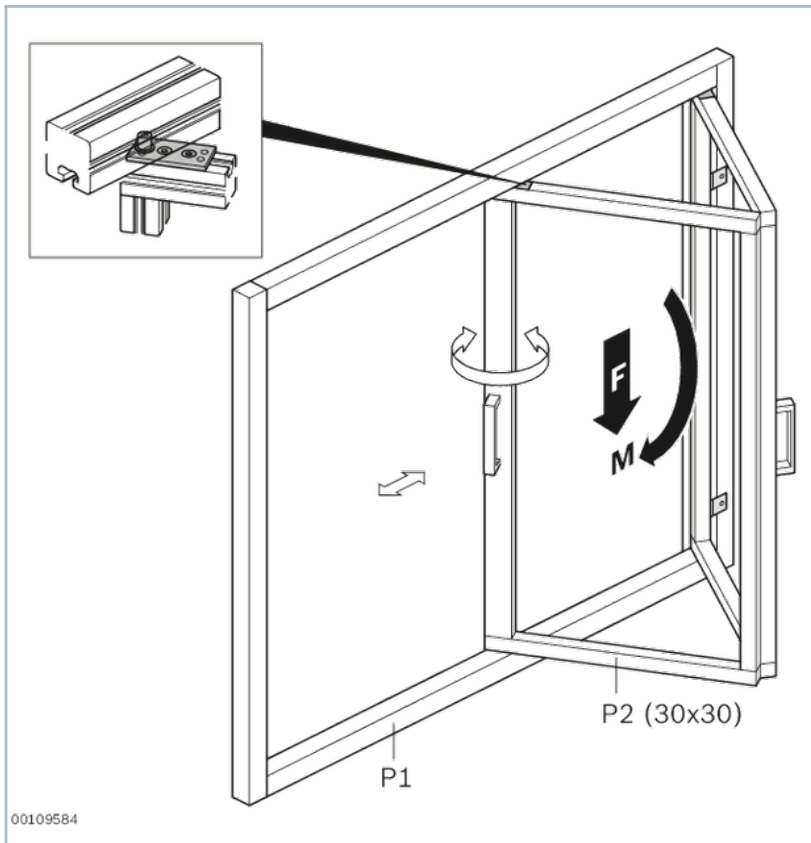


## Folding door element



- For a simultaneous swinging and sliding motion for making folding doors out of 30 mm profiles
- Extremely long service life (approx. 50,000 actuations)
- Suitable for frames made of profiles with 8 mm and 10 mm slot
- Frame and door profile are always flush (guide ring position depends on the thickness of the frame profile)

## Product description



## Technical data

Groove		
	Nm	N
8; 10	20	120

No.	Material
3842516715	Folding door element: diecast zinc Guide ring: PA; black Fastening material: Steel; zinc-plated



# Delivery notes

## Fastening material

3842516715	2x	 DIN 7991 M5x10 10
------------	----	--

## Scope of delivery

Folding door element	incl. fastening material (FS)
----------------------	-------------------------------

## Ordering codes

	Groove	P1	P2	FS	No.
Folding door element	8; 10	45x45 40x40 30x30	30x30	2xFS1	3842516715