



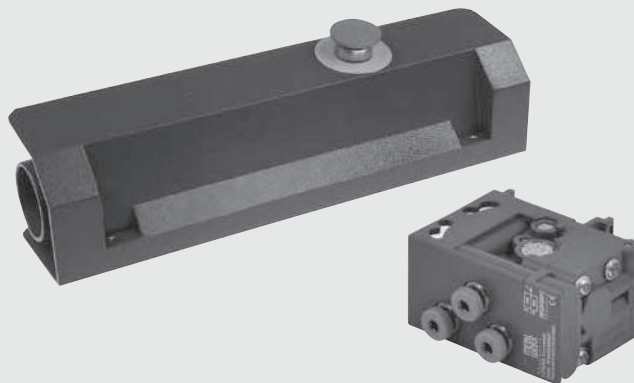
TWO HAND SAFETY VALVE SERIES SAFE AIR®

The two hand safety valve generates an output signal only if two synchronised pneumatic input signals are received.

If one input signal is interrupted, the output signal is interrupted as well.

The most common application involves connecting a manual button-controlled valve to each of the inputs and using the output signal as a start-of-cycle control for a pneumatically-operated machine.

- The two hand safety valve can be secured with through screws or a DIN bar adaptor.
- The complete pushbutton panel includes the dual manual control valve, two manual pushbuttons, and an emergency stop valve, all housed in a metal box to be mounted on a wall or stand.
- The pushbutton housing is supplied on request for anyone wishing to get a personalised pneumatic connection or drill holes to secure the unit.



VALVES

TWO HAND SAFETY VALVE SERIES SAFE AIR®

TECHNICAL DATA

Compressed air couplings	mm
Fluid	
Version	
Standard	
Synchronisation, max. time between two signals	s
De-activation time, with pipe L = max 1000 mm	s
Actuation	
Reset	
Operating pressure	bar
Temperature range	°C
Nominal diameter	mm
Flow rate at 6 bar (0.6 Mpa - 87 psi) ΔP 1 bar (0.1MPa - 1.45 psi)	l/min
Mounting position	
Compatibility with oils	

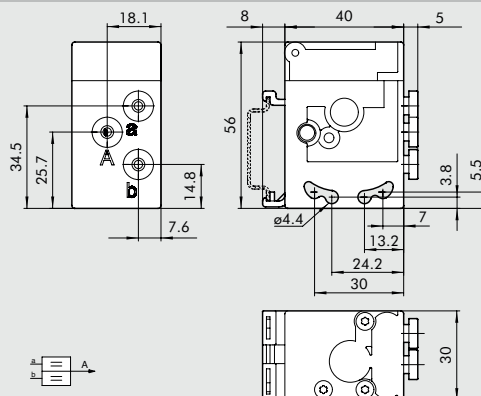
Push-in fitting for Ø 4 pipe
Filtered, unlubricated compressed air, max 50 µm
Single-control – Complete pushbutton panel
• EN574 type IIIA, TÜV approved according to 2006/42/EC
Certified TÜV-A-MHF/MG18-00134 (code W3605000001)
• Certified Bureau Veritas CV 002-03-2018 (code 0227700000)
0.4
< 0.05
pneumatic
spring operated
2.5 to 8
- 10 to +60
2.7
85
In any direction
See chapter Z1

TWO HAND SAFETY VALVE

Code	Description
W3605000001	Two hand safety valve

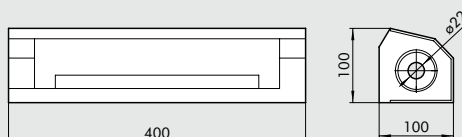
Materials

Body: technopolymer
 Internal parts: brass and technopolymer
 Gaskets: NBR
 Spring: alloy steel

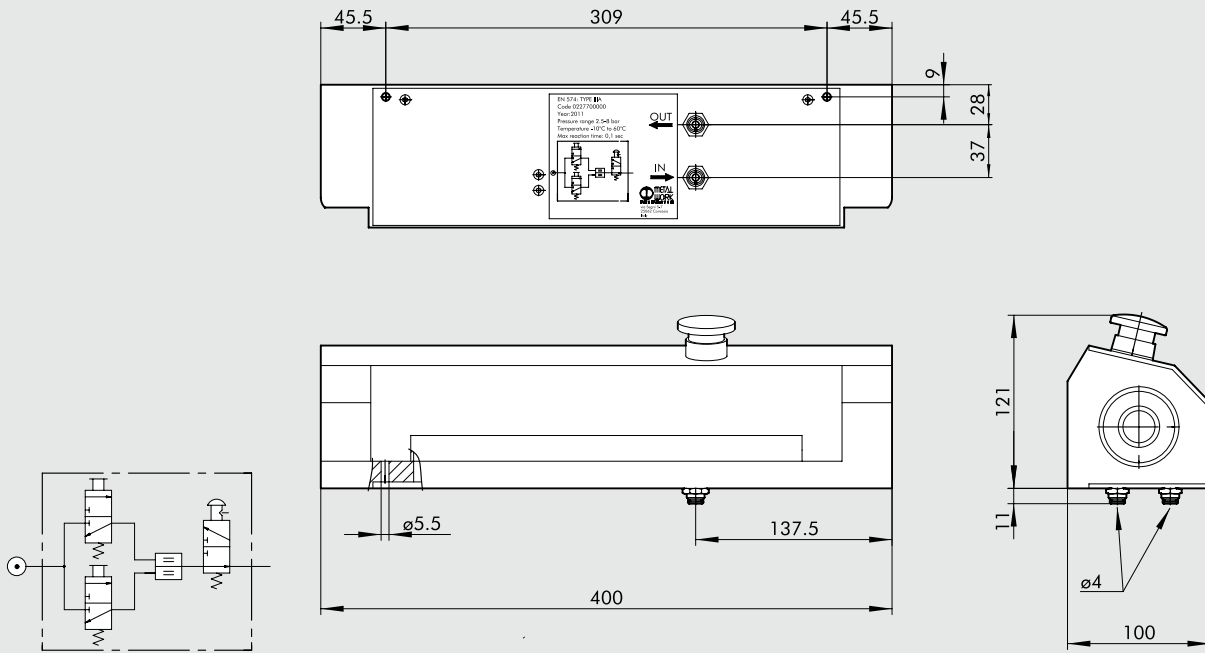


PUSHBUTTON HOUSING

Code	Description
W3120000212	Pushbutton housing



COMPLETE PUSHBUTTON PANEL



Code	Description
0227700000	Complete pushbutton panel

Materials

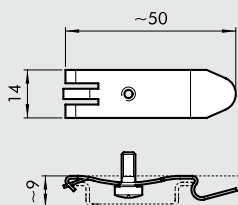
Pressure die-cast and painted aluminium alloy

MAIN COMPONENTS

Code	Description	Quantity
W3605000001	Dual manual safety valve	1
W0351000011	Monostable protected button - black disk	2
W0351000014	Emergency stop button	1
W3501000100	VME1-01 NC Ø 4	2
W3501001100	VME2-01 NO Ø 4	1
0351000050	Valve-button connecting base	3
2L11001	RL10 Ø 4	2

ACCESSORIES

CONNECTION BRACKETS ON THE BAR (DIN EN50022)



Code	Description
0227300600	Connection brackets on DIN bar
Individually packed	