

bit FILTER

The units in the **bit** range feature:

- reduced dimensions
- negligible load loss
- long life
- excellent quality-to-price ratio

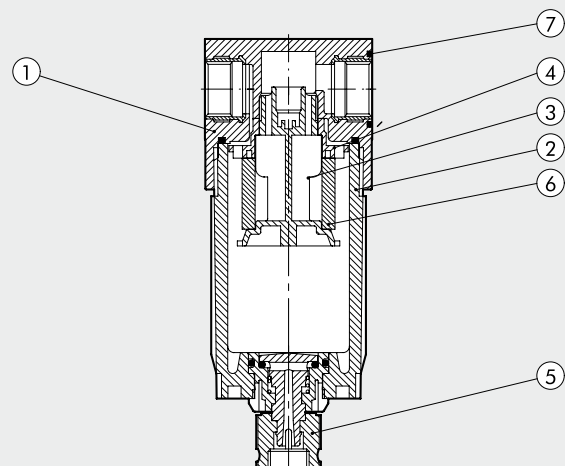
Thanks to its technical features the **bit** air treatment range is particularly suitable for de-centralized use near the final actuators.



TECHNICAL DATA	BIT 1/8"		BIT 1/4"	
	1/8"		1/4"	
Threaded port	1/8"		1/4"	
Degree of filtration	μm	5 (yellow) 20 (white) 50 (blue)		
Max. inlet pressure	MPa	1.3		
	bar	13		
	psi	188		
Flow rate at 6.3 bar (0.6 MPa to 91 psi) ΔP 0.5 bar (0.05 MPa to 7 psi)	l/min	860		
	scfm	30.5		
Flow rate at 6.3 bar (0.6 MPa to 91 psi) ΔP 1 bar (0.1 MPa to 14 psi)	l/min	1200		
	scfm	42.5		
Max temperature at 1 MPa; 10 bar; 145 psi	°C	50		
	°F	122		
Weight	g	40		
Wall fixing screws		M4 by means of the bracket provided		
Bowl capacity	cm ³	16		
Mounting position		Vertical		
Condensate drain		RMSA: drain with manual condensate discharge and automatic discharge at zero pressure SAC: automatic drain with condensate discharge .		
Fluid		Operates by pressure drop – requires variable air take-offs. Compressed air		

COMPONENTS

- ① Technopolymer body with OT58 threaded element
- ② Clear technopolymer bowl
- ③ Technopolymer baffle plug
- ④ Technopolymer centrifuge
- ⑤ Condensate drain (RMSA)
- ⑥ HDPE sintered filter cartridge
- ⑦ NBR gaskets



FLOW CHARTS

FIL

$\Delta P = (P_m - P_v)$
psi kPa bar

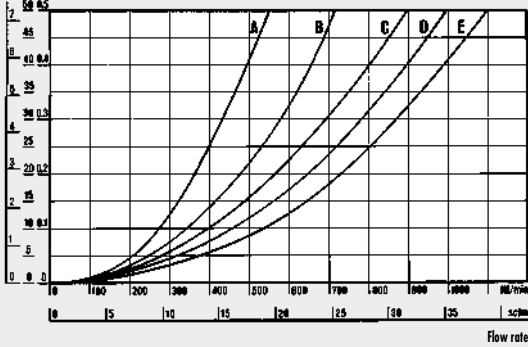
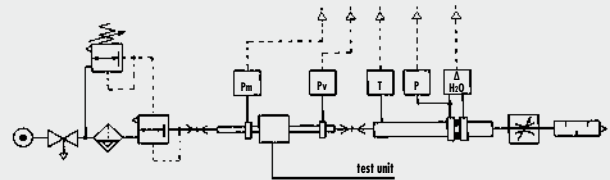


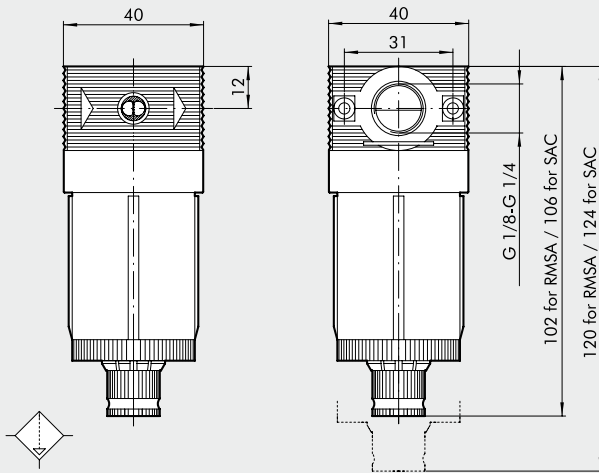
Chart referring to a filter with 1/4 ports



• Flow tests carried out at the Department of Mechanics, Turin Polytechnic, using the computerized test bench following CETOP RP50R recommendations (ISO DIS 6358-2-approved) with ISO 5167 diaphragm gauge.

- (A) = 2 bar - 0.2 MPa - 29 psi
- (B) = 4 bar - 0.4 MPa - 58 psi
- (C) = 6 bar - 0.6 MPa - 87 psi
- (D) = 8 bar - 0.8 MPa - 116 psi
- (E) = 10 bar - 1 MPa - 145 psi

DIMENSIONS



ORDERING CODES

Code	Description
5101001	FIL BIT 1/8 5 RMSA
5101004	FIL BIT 1/8 5 SAC
5101002	FIL BIT 1/8 20 RMSA
5101005	FIL BIT 1/8 20 SAC
5101003	FIL BIT 1/8 50 RMSA
5101006	FIL BIT 1/8 50 SAC
5201001	FIL BIT 1/4 5 RMSA
5201004	FIL BIT 1/4 5 SAC
5201002	FIL BIT 1/4 20 RMSA
5201005	FIL BIT 1/4 20 SAC
5201003	FIL BIT 1/4 50 RMSA
5201006	FIL BIT 1/4 50 SAC

SYNOPTIC, SIZES AND VERSIONS

FIL ELEMENT	BIT SIZE	1/8 THREADED PORT	5 DEGREE OF FILTRATION	RMSA CONDENSATE DRAIN
FIL	BIT	1/8 1/4	5 = 5 μm 20 = 20 μm 50 = 50 μm	RMSA SAC

RMSA: drain with manual condensate discharge and automatic discharge at zero pressure.

SAC: automatic drain with condensate discharge.

Operates by pressure drop – requires variable air take-offs.