

Skillair® SHUT-OFF VALVE

The job of this valve is to make the circuit independent from the air supply. It is basically a three-way valve. In the closed position, it cuts off the air supply and discharges the downstream circuit at the same time, which means it is particularly useful during servicing operations. The hand-operated version can be padlocked to lock the knob in a closed position so that it can only be opened by someone with the right key. An interlocked version is available for low pressure operation.

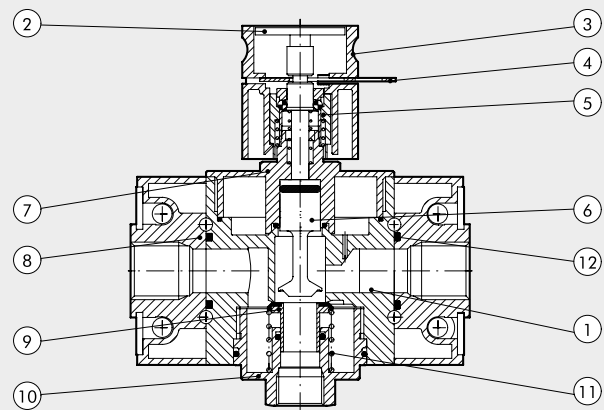
N.B.: With size 400, when the V3V is mounted upstream of the regulator, the pilot regulator must be piloted at a pressure taken upstream of the V3V, otherwise when the system is relieved, most of the air downstream will be relieved by the regulator and not the V3V relief port. For connecting instruction see page C3.23



TECHNICAL DATA		V3V 100		V3V 200			V3V 300			V3V 400			
Threaded port		1/4"	3/8"	1/4"	3/8"	1/2"	1/2"	3/4"	1"	1"	1"1/4"	1"1/2"	2"
Min. inlet pressure for solenoid version **	MPa	0.3		0.3				0.2			0.3		0.3
	bar	3		3				2			3		3
	psi	43.5		43.5				29			43.5		43.5
Max. input pressure*	MPa	1.5		1.3				1.3			1.3		1.3
	bar	15		13				13			13		13
	psi	217		188				188			188		188
Flow rate at 6.3 bar (0.63 MPa to 91 psi)	Nl/min	1300		2400				3200			13000		14000
ΔP 0.5 bar (0.05 MPa to 7 psi)	scfm	46		85				113			460		494
Flow rate at 6.3 bar (0.63 MPa to 91 psi)	Nl/min	1650		3000				4700			-		-
ΔP 1 bar (0.1 MPa to 14 psi)	scfm	58		106				166			-		-
Max temperature	°C	50		50				50			50		50
	°F	122		122				122			122		122
Weight	kg	~ 0.5		~ 0.8				~ 1.2			4.8		5.6
Wall fixing screws		M4 x 50		M5 x 60				M5 x 70			M6 x 110		M6 x 110
Type of control		Manual - Pneumatic - Solenoid						Manual - Pneumatic - Solenoid					
		Solenoid pilot-assisted						Solenoid pilot-assisted - Key-operated					
Mounting position		In any position.											
Fluid		Filtered, lubricated or unlubricated compressed air. Lubrication, if used, must be continuous.											
Note		* 1 MPa - 10 bar - 145 psi for solenoid version											
		** 0.01 MPa - 0.1 bar - 1.45 psi for manual, pneumatic and pilot-assisted versions with controls min. 0.3 MPa 3 bar 43.5 psi.											

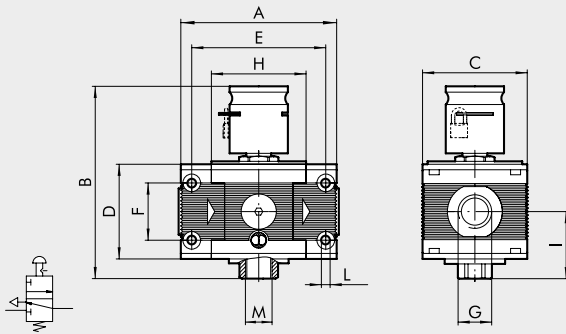
COMPONENTS

- ① Technopolymer body
- ② Operating button
- ③ Technopolymer knob
- ④ Stainless steel safety lamination
- ⑤ Locking unit
- ⑥ OT58 brass piston rod
- ⑦ Anodized aluminium top plug
- ⑧ Zamak end plate
- ⑨ Valve with vulcanized NBR gasket
- ⑩ Anodized aluminium bottom plug
- ⑪ Stainless steel valve spring
- ⑫ NBR gaskets

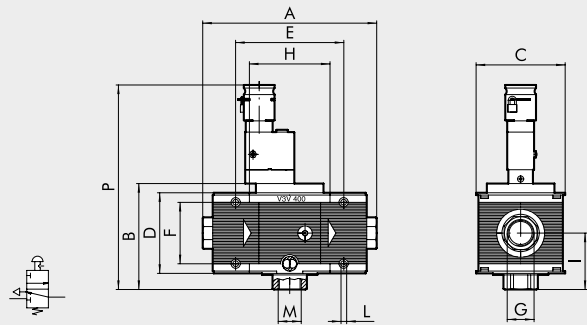


DIMENSIONS OF V3V MANUAL VERSION

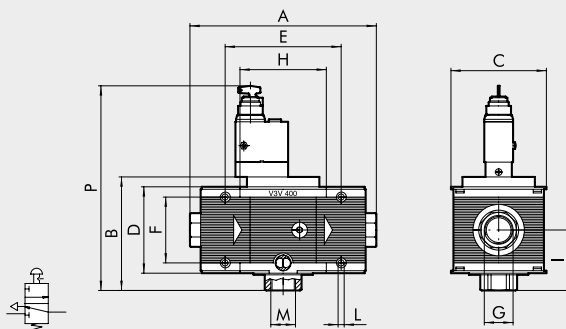
100 - 200 - 300 LOCKABLE



400 LOCKABLE



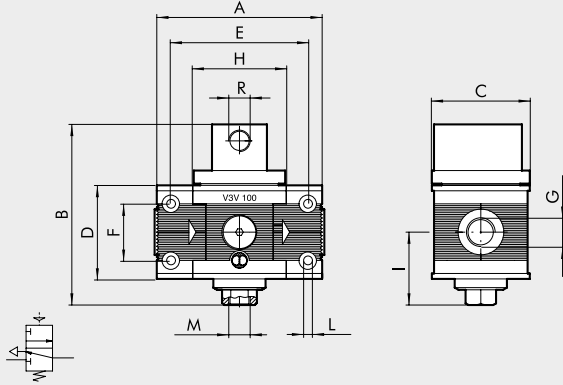
400 KEY-OPERATED



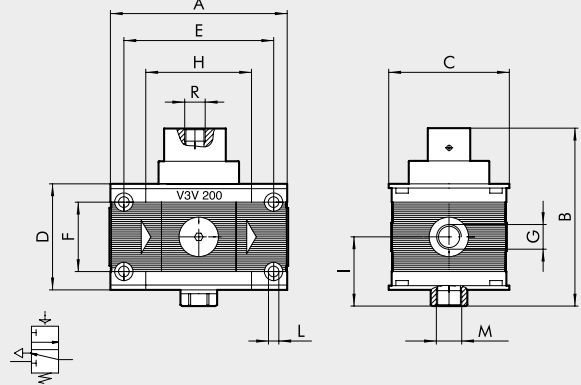
	V3V 100		V3V 200			V3V 300			V3V 400			
Threaded port G	1/4"	3/8"	1/4"	3/8"	1/2"	1/2"	3/4"	1"	1"	1 1/4"	1 1/2"	2"
A	78		93.5			110		112	225 to 255			283 to 313
B	106		119				132		137			
C	50		63				72		118			
D	43		55				65		105			
E	63		78.5				92		141.4			
F	26		36				42		80			
H	43		55.5				65		105.4			
I	33.5		40				46.5		72.5			
L	Hole for M4 screws		Hole for M5 screws			Hole for M5 screws			Hole for M6 screws			
M (relief)	1/8"		1/4"			3/8"			1"			
P manual	-		-			-			266			
key-operated	-		-			-			249			

DIMENSIONS OF V3V PNEUMATIC VERSION

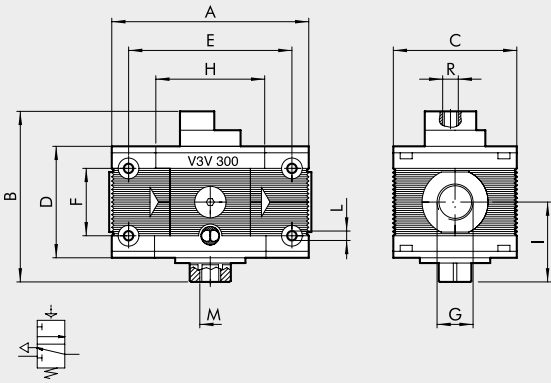
100



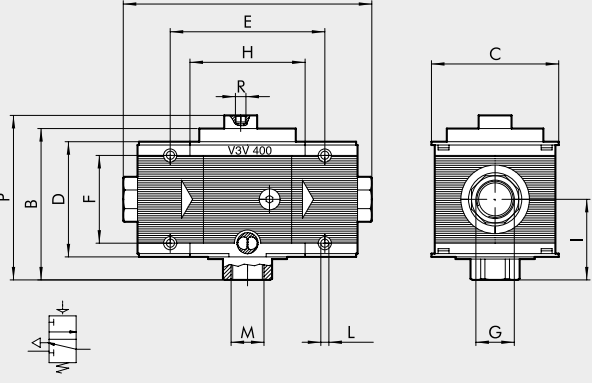
200



300



400



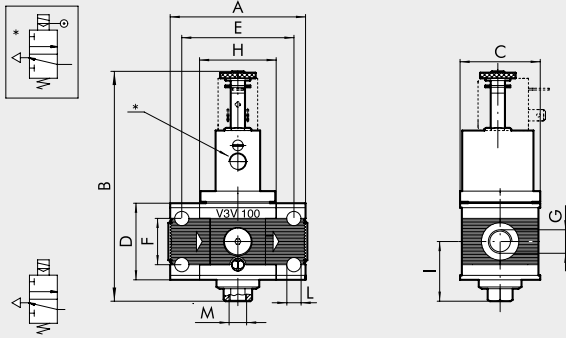
UNITS

Skilair® SHUT-OFF VALVE

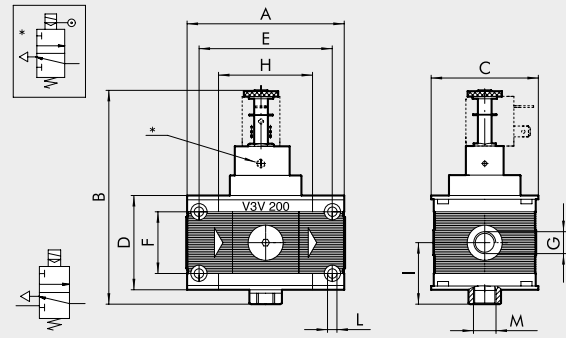
	V3V 100		V3V 200			V3V 300			V3V 400			
Threaded port G	1/4"	3/8"	1/4"	3/8"	1/2"	1/2"	3/4"	1"	1"	1 1/4"	1 1/2"	2"
A	78		93.5			110		112	225 to 255			
B	83		96			106		137				
C	50		63			72		118				
D	43		55			65		105				
E	63		78.5			92		141.4				
F	26		36			42		80				
H	43		55.5			65		105.4				
I	33.5		40			46.5		72.5				
L	Hole for M4 screws		Hole for M5 screws			Hole for M5 screws			Hole for M6 screws			
M (relief)	1/8"		1/4"			3/8"		1"				
R (pilot)	1/8"		1/8"			1/8"		1/8"				
P	-		-			-		150				

DIMENSIONS OF V3V SOLENOID/SOLENOID PILOT-ASSISTED VALVE

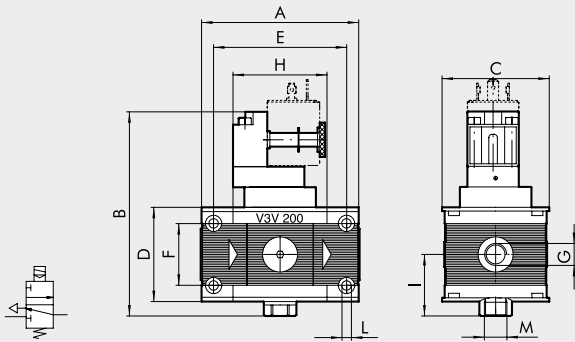
100 SOLENOID/SOLENOID PILOT-ASSISTED VALVE



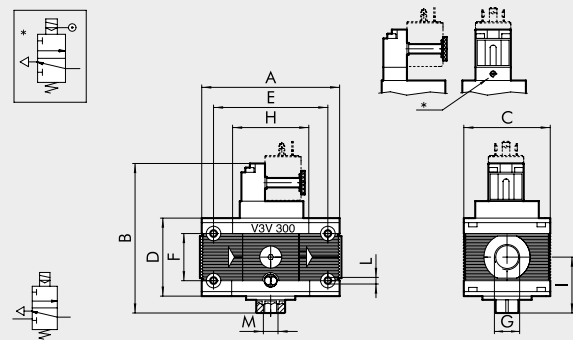
200 SOLENOID/SOLENOID PILOT-ASSISTED VALVE



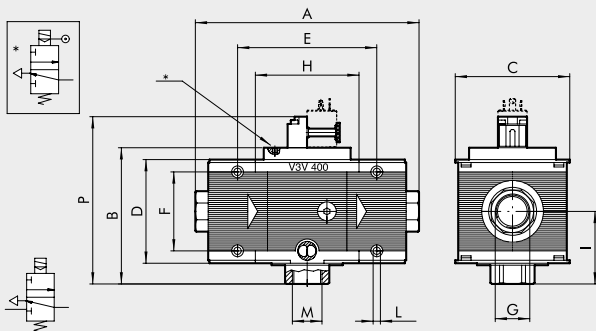
200 CNOMO



300 CNOMO SOLENOID/CNOMO SOLENOID PILOT-ASSISTED VALVE



400 CNOMO SOLENOID/CNOMO SOLENOID PILOT-ASSISTED VALVE



	V3V 100		V3V 200			V3V 300			V3V 400			
Threaded port G	1/4"	3/8"	1/4"	3/8"	1/2"	1/2"	3/4"	1"	1"	1 1/4"	1 1/2"	2"
A	78		93.5			110		112	225 to 255			283 to 313
B Solenoid	128		129			152			-			
B Solenoid pilot-ass.	129		129			-			-			
CNOMO control	-		123			125			137			
CNOMO pilot-ass.	-		-			138			137			
C	50		63			72			118			
D	43		55			65			105			
E	63		78.5			92			141.4			
F	26		36			42			80			
H	43		55.5			65			105.4			
I	33.5		40			46.5			72.5			
L	Hole for M4 screws		Hole for M5 screws			Hole for M5 screws			Hole for M6 screws			
M (relief)	1/8"		1/4"			3/8"			1"			
* (pilot)	1/8"		M5			M5			M5			
P	-		-			-			169			

UNITS
Skillair® SHUT-OFF VALVE

SYNOPTIC, SIZES AND VERSIONS

V3V ELEMENT	100 SIZE	1/4 THREADED PORT	MANUAL TYPE OF COMMAND
V3V	100	1/4	Manual (lockable)
		3/8	
	200	1/4	Pneumatic
		3/8	
		1/2	
	300	1/2	Solenoid pilot assisted
		3/4	
		1	
	400	1	Solenoid
		1 1/4	
		1 1/2	
		1 1/2	
		2	

ORDERING CODES

Code	Description	Code	Description	Code	Description
Skillair® 100 3-WAY VALVE					
3270001A	V3V 100 lockable without end plates	4470001A	V3V 300 lockable without end plates	6169010A	V3V 400 key-operated without end plates
3269000A	V3V 100 pneumatic without end plates	4469000A	V3V 300 pneumatic without end plates	6169000A	V3V 400 pneumatic without end plates
3269001A	V3V 100 solenoid without end plates	4469004A	V3V 300 solenoid cnomo without end plates	6169004A	V3V 400 solenoid cnomo without end plates
3269002A	V3V 100 solenoid pilot assisted without end plates	4469005A	V3V 300 solenoid cnomo pilot-assisted w/end plates	6169005A	V3V 400 solenoid cnomo pilot-assisted w/end plates
3270001	V3V 100 1/4 lockable	4470001	V3V 300 1/2 lockable	6170002A	V3V 400 lockable without end plates
3269000	V3V 100 1/4 pneumatic	4469000	V3V 300 1/2 pneumatic	6169010	V3V 400 1 key-operated
3269001	V3V 100 1/4 solenoid	4469004	V3V 300 1/2 solenoid cnomo	6169000	V3V 400 1 pneumatic
3269002	V3V 100 1/4 solenoid pilot assisted	4469005	V3V 300 1/2 solenoid cnomo assisted	6169004	V3V 400 1 solenoid cnomo
3370001	V3V 100 3/8 lockable	4570001	V3V 300 3/4 lockable	6169005	V3V 400 1 solenoid cnomo assisted
3369000	V3V 100 3/8 pneumatic	4569000	V3V 300 3/4 pneumatic	6269010	V3V 400 1 1/4 key-operated
3369001	V3V 100 3/8 solenoid	4569004	V3V 300 3/4 solenoid cnomo	6269000	V3V 400 1 1/4 pneumatic
3369002	V3V 100 3/8 solenoid pilot assisted	4569005	V3V 300 3/4 solenoid cnomo assisted	6269004	V3V 400 1 1/4 solenoid cnomo
Skillair® 200 3-WAY VALVE					
3470001A	V3V 200 lockable without end plates	4669000	V3V 300 1 pneumatic	6269005	V3V 400 1 1/4 solenoid cnomo assisted
3469000A	V3V 200 pneumatic without end plates	4669004	V3V 300 1 solenoid cnomo	6369010	V3V 400 1 1/2 key-operated
3469001A	V3V 200 solenoid without end plates	4669005	V3V 300 1 solenoid cnomo assisted	6369000	V3V 400 1 1/2 pneumatic
3469002A	V3V 200 solenoid pilot assisted without end plates	4670001	V3V 300 1 lockable	6369004	V3V 400 1 1/2 solenoid cnomo
3469004A	V3V 200 solenoid cnomo comm. w/end plate			6369005	V3V 400 1 1/2 solenoid cnomo assisted
3469005A	V3V 200 solenoid cnomo ass. comm. w/end plate			6469010	V3V 400 2 key-operated
3470001	V3V 200 1/4 lockable			6469000	V3V 400 2 pneumatic
3469000	V3V 200 1/4 pneumatic			6469004	V3V 400 2 solenoid cnomo
3469001	V3V 200 1/4 solenoid			6469005	V3V 400 2 solenoid cnomo assisted
3469002	V3V 200 1/4 solenoid pilot assisted			6170002	V3V 400 1 lockable
3469004	V3V 200 1/4 solenoid cnomo comm.			6270002	V3V 400 1 1/4 lockable
3469005	V3V 200 1/4 solenoid cnomo pilot-assisted			6370002	V3V 400 1 1/2 lockable
3570001	V3V 200 3/8 lockable			6470002	V3V 400 2 lockable
3569000	V3V 200 3/8 pneumatic				
3569001	V3V 200 3/8 solenoid				
3569002	V3V 200 3/8 solenoid pilot assisted				
3569004	V3V 200 3/8 solenoid cnomo comm.				
3569005	V3V 200 3/8 solenoid cnomo pilot-assisted				
3670001	V3V 200 1/2 lockable				
3669000	V3V 200 1/2 pneumatic				
3669001	V3V 200 1/2 solenoid				
3669002	V3V 200 1/2 solenoid pilot assisted				
3669004	V3V 200 1/2 solenoid cnomo comm.				
3669005	V3V 200 1/2 solenoid cnomo pilot-assisted				

UNITS

Skillair® SHUT-OFF VALVE