

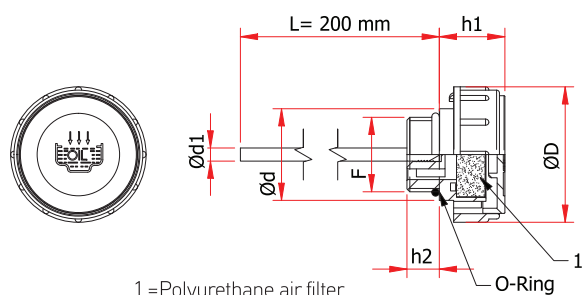
TMDA - FILLER BREATHERS WITH DIPSTICK

TMDFA - FILLER BREATHERS WITH DIPSTICK AND FILTER

TMDFA/BR - FILLER BREATHERS WITH DIPSTICK AND SINTERED BRONZE

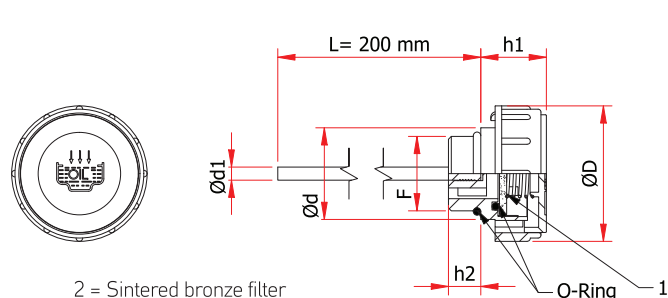


TMDFA



1 = Polyurethane air filter

TMDFA/BR



2 = Sintered bronze filter

-These filler breathers have the same characteristics as the model TMD-TMDF-TMDFA/BR, but they are equipped with a steel level dipstick with zinc phosphate surface.

-The standard dipstick is 200 mm in length, for orders that exceeds 250 pieces, the dipstick can be cut to custom length, and notches can be placed to indicate "MIN-MAX" oil level.

-**Airflow capacity:** see graphic page 43.

-**Special model FLEX:** a blade-style level dipstick can be provided upon request for adequate quantities;

-Zinc phosphated surface, laser inscriptions can also be provided upon request; the flexible dipstick is suitable for applications that require special shaped profile has to be followed.

-NPT threads available on 3/8" - 1/2" - 3/4" - 1".

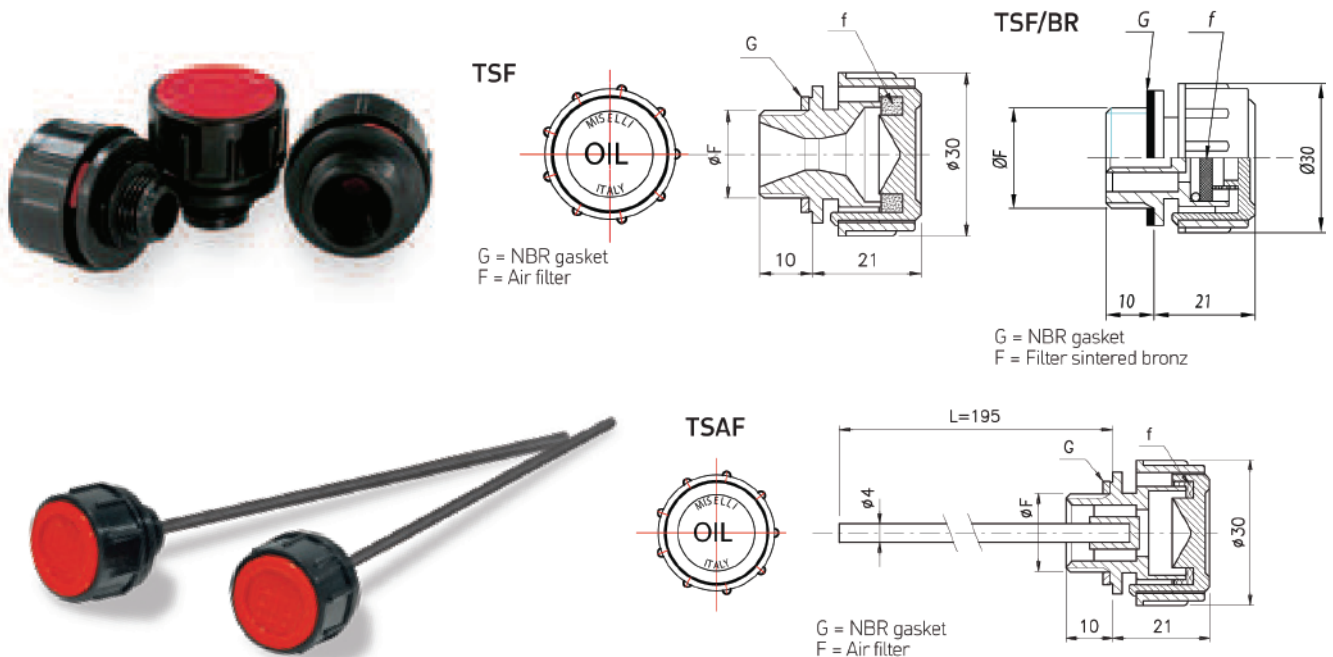
Code	Code	Code	F	D	d	d1	h1	h2
TMDA/38	TMDFA/38	TMDFA/38/BR	G 3/8"	36	23	4	17	11
TMDA/12	TMDFA/12	TMDFA/12/BR	G 1/2"	41	28	4	18	12
TMDA/34	TMDFA/34	TMDFA/34/BR	G 3/4"	47	33	5	17	12
TMDA/1	TMDFA/1	TMDFA/1/BR	G 1"	52	38	5	20	12
TMDA/114	TMDFA/114	TMDFA/114/BR	G 1 1/4"	63	49	5	23	13
TMDA/112	TMDFA/112	TMDFA/112/BR	G 1 1/2"	63	55	5	23	13,5
TMDA/14.15	TMDFA/14.15	TMDFA/14.15/BR	M 14x1,5	41	28	4	21,5	12
TMDA/16.15	TMDFA/16.15	TMDFA/16.15/BR	M 16x1,5	36	23	4	17	11
TMDA/18.15	TMDFA/18.15	TMDFA/18.15/BR	M 18x1,5	41	28	4	17,5	12
TMDA/20.15	TMDFA/20.15	TMDFA/20.15/BR	M 20x1,5	41	28	4	17,5	12
TMDA/22.15	TMDFA/22.15	TMDFA/22.15/BR	M 22x1,5	41	28	4	17,5	12

TSF - FILLER BREATHER WITH FILTER

TSF/BR - FILLER BREATHER WITH FILTER IN SINTERED BRONZ

TSAF - FILLER BREATHER WITH FILTER AND DIPSTICK

TSAF/BR - FILLER BREATHER WITH FILTER AND DIPSTICK IN SINTERED BRONZ



-Filler breathers with easy grip vertical ribs, manufactured from thermoplastic material (Polymide 66). **max. working temperature 100°C (212 F)**

-These style filler breathers are produced in black, with a red lid, with encased the text "OIL". On large orders a custom text or company logo is possible. A standard flat rubber seal is used, but a 'O' Ring seal is available, both in NBR 70 shore.

-Located under the lid is a polyurethane foam filter (40 microns) installed, which is easy to be cleaned once the lid is removed.

-The serie TSF-TSAF has been projected to obtain a good airflow capacity combined with contained external dimensions

-Airflow capacity (P) is indicated on the table expressed in liters/minute with a tank pressure of 50 mbar (0,73 psi).

-The model **TSAF** fits a steel level dipstick with zinc phosphate surface (cylindrical section). standard length mm. 195; in case of orders of a least 250 pcs the dipstick can be manufactured to the customers specifications.

-In the kind of applications where the vent hole is subject to strong oil splashes, especially during the starting of the machine when the oil is still thick, we suggest to utilize the model **TSF/BR - TSAF/BR**, with air filter element in sintered bronze (30 ± filtration degree). This allows the air to flow but stops fluid overflowing due to the bronze filter being not absorbent.

Code	F	P
TSF-14 TSAF-14	G 1/4"	95
TSF-38 TSAF-38	G 3/8"	125
TSF-12 TSAF-12	G 1/2"	126
TSF-22.15 TSAF-22.15	M 22x1,5	126
TSF-24.15 TSAF-24.15	M 24x1,5	126

Code	F	P
TSF-14/BR TSAF-14/BR	G 1/4"	63
TSF-38/BR TSAF-38/BR	G 3/8"	75
TSF-12/BR TSAF-12/BR	G 1/2"	70
TSF-22.15/BR TSAF-22.15/BR	M 22x1,5	70
TSF-24.15/BR TSAF-24.15/BR	M 24x1,5	70