

VALVES SERIES 70, MECHANICALLY OPERATED, 1/8"

TECHNICAL DATA

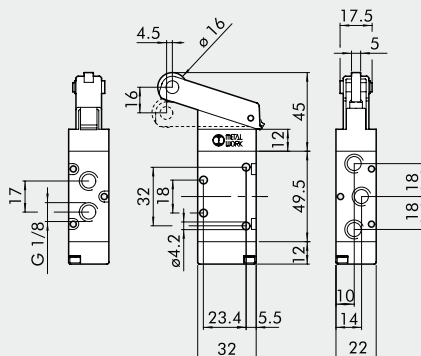
Thread at valve ports		1/8"
Operation force at 6 bar:		
• version with direct control	N	50
• pilot-assisted version	N	6
Operating pressure:		
• version with direct control	bar	Vacuum to 10
• pilot-assisted version	bar	2.5 to 10
Operating temperature range	°C	-10 to +60
Nominal diameter	mm	5
Conductance C	Nl/min · bar	121.43
Critical ratio b	bar/bar	0.32
Flow rate at 6 bar ΔP 0.5 bar	Nl/min	400
Flow rate at 6 bar ΔP 1 bar	Nl/min	550



SYNOPTIC, SIZES AND VERSIONS

M E V		2		3		T A		S		N C	
FAMILY		DIMENSIONS		FUNCTION		OPERATORS 14		RESETTING (12)		FURTHER DETAILS	
MEV	mechanically-operated valves	2	1/8"	3	3/2	TA	plunger	S	mechanical springs	NC	normally closed
				5	5/2	BR	bidirectional roller	A	pneumatic/mechanical spring*	OO	no indication
						UR	unidirectional roller				
						TS	sensitive plunger				
						RS	sensitive roller				
						AS	sensitive aerial				
						LL	frontal roller lever				

ROLLER LEVER 5/2, 1/8"



Symbol	Code	Abbrev.	Weight [g]
	7001000510	MEV 25 BRS OO	156