

Mounting plate, Series AS2-MBR-...-

- Steel



Ambient temperature min./max.

-10 ... 50 °C

Weight

0,065 kg

Technical data

Part No.

R412006368

Scope of delivery incl. 2 mounting screws 3x10 (Torx 10 IP) DIN EN ISO 10664

Technical information

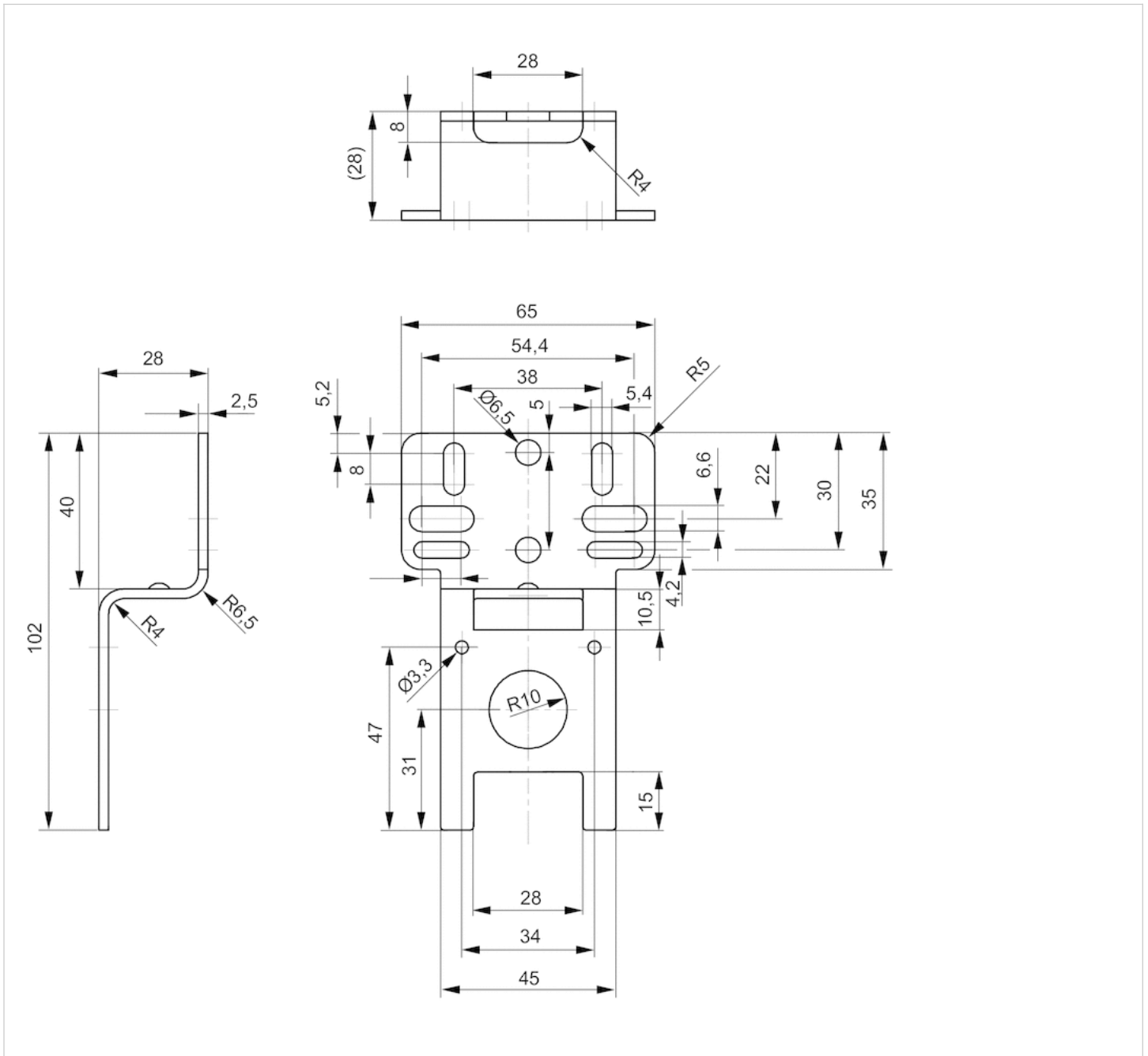
For assembly of the W01 mounting plate, the rear cover of the air preparation unit must be removed.

Technical information

Material	
Housing	Steel, galvanized
Seal	Acrylonitrile butadiene rubber

Dimensions

Dimensions in mm



Mounting plate, Series AS3-MBR-...-

- Steel



Ambient temperature min./max.

-10 ... 50 °C

Weight

0,13 kg

Technical data

Part No.

R412007368

Scope of delivery incl. 2 mounting screws 3x10 (Torx 10 IP) DIN EN ISO 10664

Technical information

For assembly of the W01 mounting plate, the rear cover of the air preparation unit must be removed.

Technical information

Material

Housing

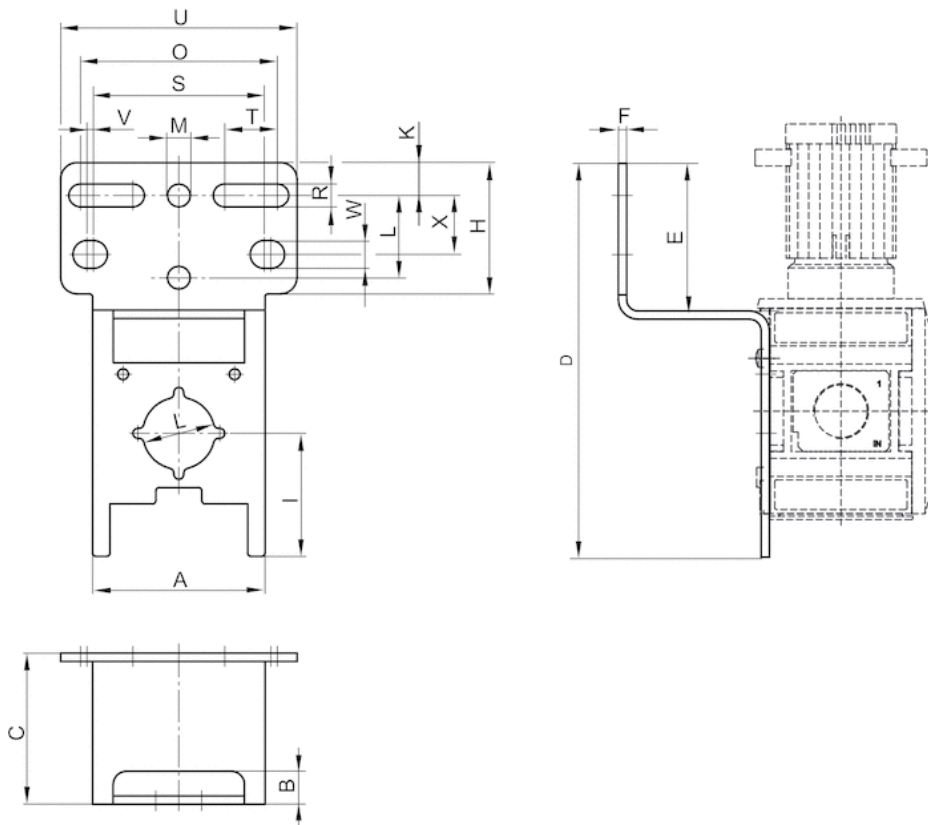
Steel, galvanized

Seal

Acrylonitrile butadiene rubber

Dimensions

Dimensions



Dimensions in mm

Part No.	A	B	C	D	E	F	H	I	K	L	M	O	R	S	T	U	V	W	X
R412007368	52.5	10	46	120	45	2.5	40	37.5	10	25	6.5	60	7	52	16	72	2	8.5	18

Mounting plate, Series AS5-MBR-...-

- Steel



Ambient temperature min./max.

-10 ... 50 °C

Weight

0,394 kg

Technical data

Part No.

R412009368

Scope of delivery incl. 2 mounting screws 3x10 (Torx 10 IP) DIN EN ISO 10664

Technical information

For assembly of the W01 mounting plate, the rear cover of the air preparation unit must be removed.

Technical information

Material

Housing

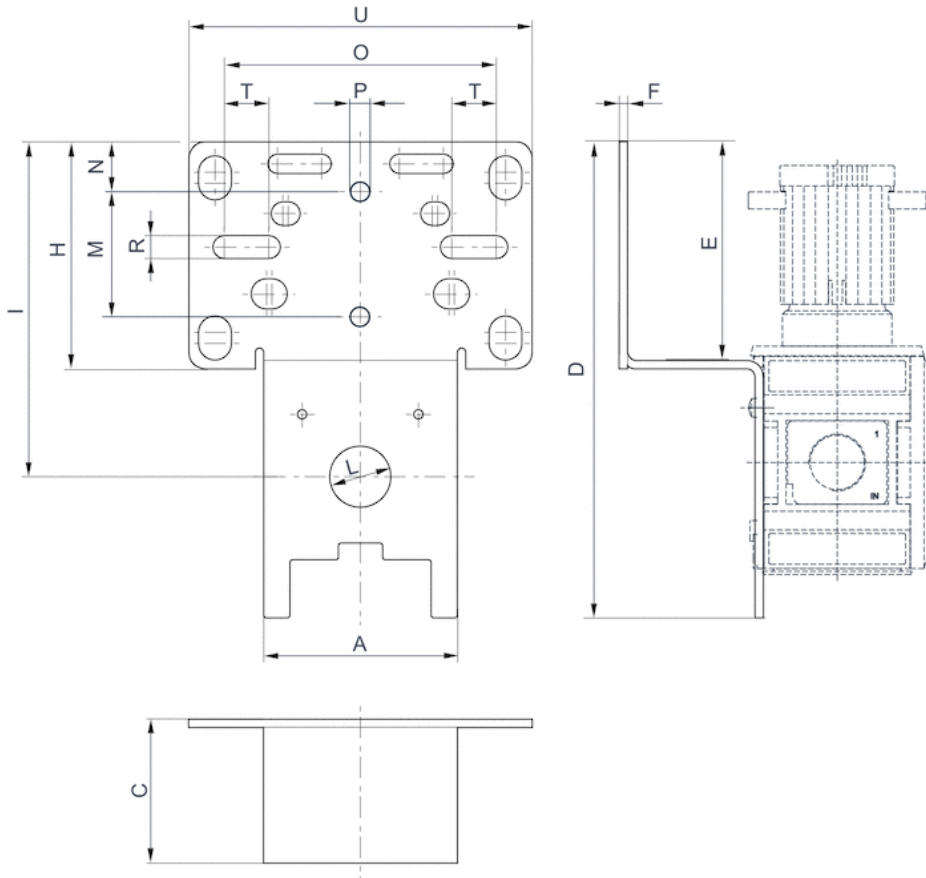
Steel, galvanized

Seal

Acrylonitrile butadiene rubber

Dimensions

Dimensions



Dimensions

Part No.	A	C	D	E	F	H	I	L	M	N	O	P	R	T	U
R412009368	70	52	172	79	3	82	121	22	45	18.5	98	6.5	7	16	124

Mounting plate, Series AS1-MBR-...-

- Steel



Ambient temperature min./max.

-10 ... 50 °C

Weight

0,07 kg

Technical data

Part No.

R412014755

Scope of delivery incl. 2 mounting screws 3x10 (Torx 10 IP) DIN EN ISO 10664

Technical information

For assembly of the W01 mounting plate, the rear cover of the air preparation unit must be removed.

Technical information

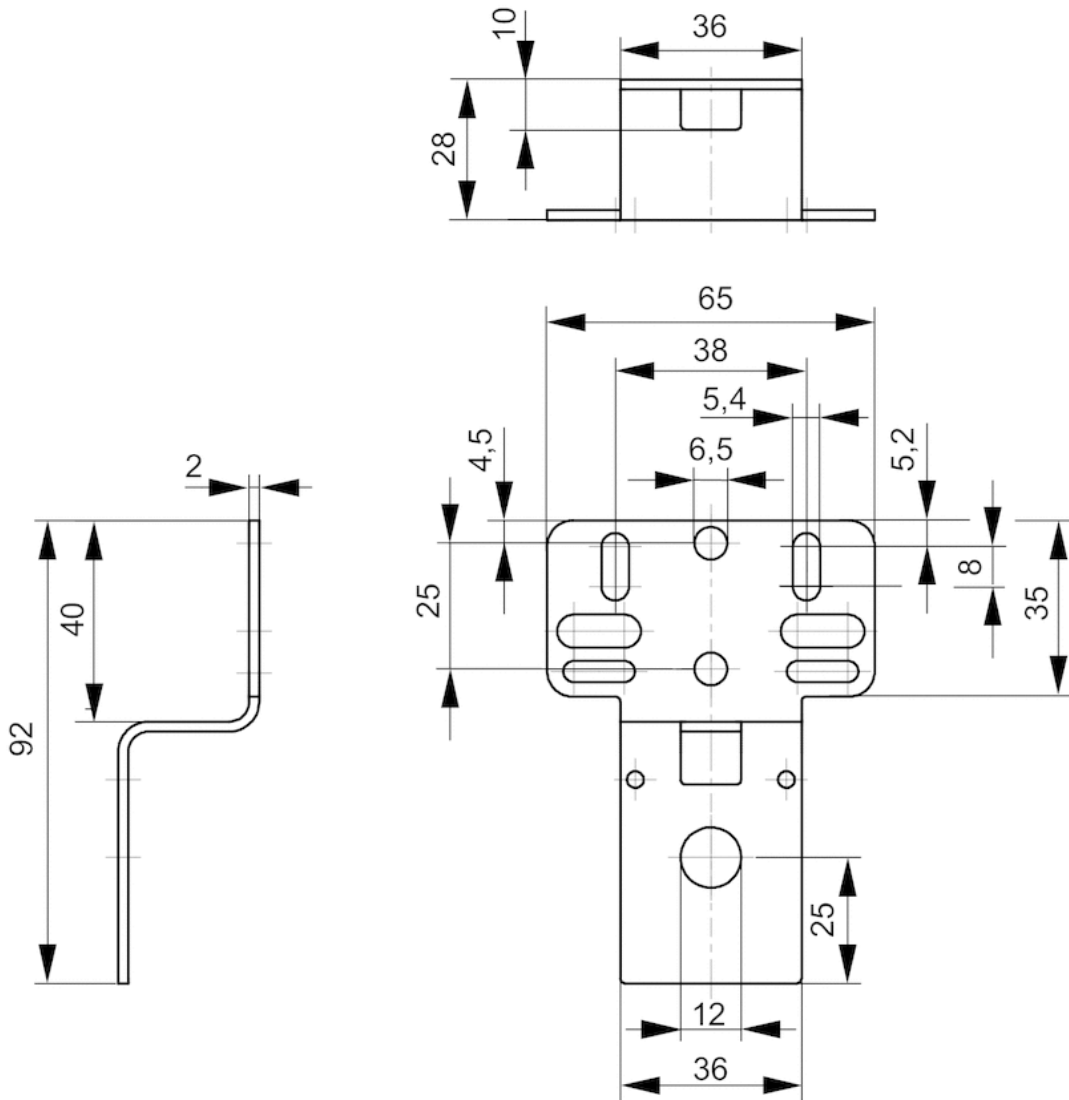
Material

Housing

Steel, galvanized

Dimensions

Dimensions in mm



For assembly of the W01 mounting plate, the rear cover of the air preparation unit must be removed.

Efficient pneumatic solutions, our program: cylinders and drives, valves and valve systems, air supply management



Visit us: [Emerson.com/Aventics](https://www.emerson.com/Aventics)

Your local contact: [Emerson.com/contactus](https://www.emerson.com/contactus)



Emerson.com



[Facebook.com/EmersonAutomationSolutions](https://www.facebook.com/EmersonAutomationSolutions)



[LinkedIn.com/company/Emerson-Automation-Solutions](https://www.linkedin.com/company/Emerson-Automation-Solutions)



[Twitter.com/EMR_Automation](https://twitter.com/EMR_Automation)

An example configuration is depicted on the title page. The delivered product may thus vary from that in the illustration. Subject to change. This Document, as well as the data, specifications and other information set forth in it, are the exclusive property of AVENTICS GmbH. It may not be reproduced or given to third parties without its consent. Only use the AVENTICS products shown in industrial applications. Read the product documentation completely and carefully before using the product. Observe the applicable regulations and laws of the respective country. When integrating the product into applications, note the system manufacturer's specifications for safe use of the product. The data specified only serve to describe the product. No statements concerning a certain condition or suitability for a certain application can be derived from our information. The information given does not release the user from the obligation of own judgement and verification. It must be remembered that the products are subject to a natural process of wear and aging.

The Emerson logo is a trademark and service mark of Emerson Electric Co. Brand logotype are registered trademarks of one of the Emerson family of companies. All other marks are the property of their respective owners. © 2020 Emerson Electric Co. All rights reserved.
2020-12



CONSIDER IT SOLVED™