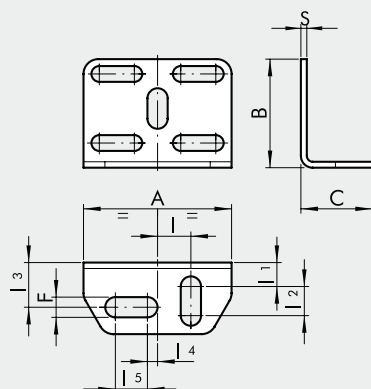


### FIXING SQUARE KIT



Code	Description	A	B	C	F	I	I1	I2	I3	I4	I5	S
9062110	SQU L	30	22	14.5	4.2	6.8	4.8	5.9	9.1	2	6.5	1.2

NOTE: comes with two M3x16 screws (for L.O.L.  $\Delta$  4), two M3x25 screws (for L.O.L.  $\Delta$  6- $\Delta$  8), two M3 hexagonal nuts, 2 groovers, 4 washers.

$\Delta$  4 =  $\Delta$  5/32";  $\Delta$  8 =  $\Delta$  5/16"