

Newdeal DEPURATOR



- Oil-proof depurator with coalescing cartridge
- Metal bowl with external viewing
- Manual/semi-auto or automatic condensate drain



TECHNICAL DATA	DEP ND 3/8"	DEP ND 1/2"
Threaded port	3/8"	1/2"
Degree of depuration	99.97% α 0.01	
Max. inlet pressure	1.8 MPa	
	18 bar	
	261 psi	
Maximum suggested flow rate	please look at the flow rate curves	
Suggested flow rate at 6 bar	230 NI/min	
	8 scfm	
Fluid	Filtered air 4 μm	
Max temperature at 1 MPa; 10 bar; 145 psi	50 °C	
	122 °F	
Weight	0.9 kg	
Wall fixing screws	M4 x 55	
Bowl capacity	45 cm ³	
Mounting position	Vertical	
Drain	RMSA - SAC - RA	
	RMSA: drain with manual condensate discharge and automatic discharge at zero pressure. RA: automatic drain with condensate discharge, independent of pressure and flow rate. Version conveys the draining by inserting the pipe having internal diameter 6 mm in the lower port.	
	SAC: automatic drain with condensate discharge.	
	Operates by pressure drop - requires variable air take-offs.	
	It is advisable to mount a 4 μm filter upstream the depurator acting as a rough filter.	
	The maximum inlet pressure for the version with RA automatic condensate drainage must not exceed 10 bar.	
Note on use		

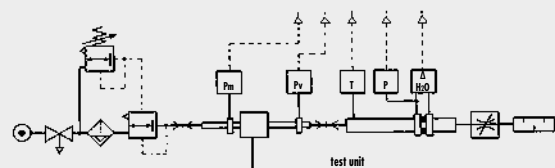
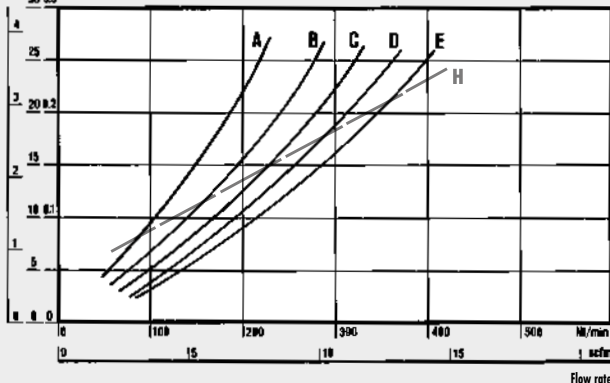
UNITS

New deal DEPURATOR

FLOW CHARTS

D 3/8 - 1/2

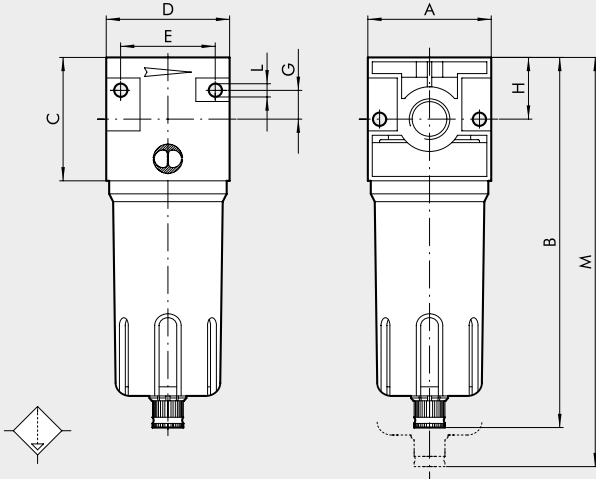
$\Delta P = (P_m - P_v)$
psi kPa bar



• Flow tests carried out at the Department of Mechanics, Turin Polytechnic, using the computerized test bench following CETOP RP50R recommendations (ISO DIS 6358-2-approved) with ISO 5167 diaphragm gauge.

- (A) = 2 bar - 0.2 MPa - 29 psi
- (B) = 4 bar - 0.4 MPa - 58 psi
- (C) = 6 bar - 0.6 MPa - 87 psi
- (D) = 8 bar - 0.8 MPa - 116 psi
- (E) = 10 bar - 1 MPa - 145 psi
- (H) = maximum flow rate recommended for optimal operation

DIMENSIONS



		DEP ND 3/8"	DEP ND 1/2"
Threaded port		3/8"	1/2"
A			60
B	RMSA		180
	RA		184
	SAC		184
C			60
D			60
E			46
G			14
H			30
L		Hole for M4 screws	
M	RMSA		230
	RA		234
	SAC		234

SYNOPTIC, SIZES AND VERSIONS

DEP ELEMENT	3/8 THREADED PORT	RMSA CONDENSATE DRAIN
DEP	3/8 1/2	RMSA RA SAC

RMSA: Manual/semi-auto drain

RA: Automatic drain. Float-type operation irrespective of the pressure and flow rate. Version conveys the draining by inserting the pipe having internal diameter 6 mm in the lower port.

SAC: Automatic drain. **Operates by pressure drop - requires variable air take-offs.**

ORDERING CODES

Code	Description
DEPURATOR 3/8"	
1322002	DEP 3/8 RMSA
1322003	DEP 3/8 RA
1322004	DEP 3/8 SAC
DEPURATOR 1/2"	
1422002	DEP 1/2 RMSA
1422003	DEP 1/2 RA
1422004	DEP 1/2 SAC

NOTES