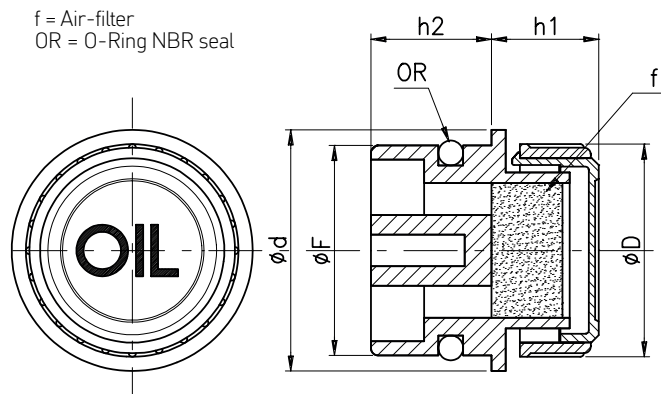


TPB - LOW PROFILE PUSH-FIT FILLER PLUGS

TPBS - LOW PROFILE PUSH-FIT BREATHER

TPBSF - LOW PROFILE PUSH-FIT BREATHER WITH FILTER



- Knurled profile filler plug produced from polyamide 66 (max working temp. 100°C-212 F)

- Push fit mounting into drilled hole (refer to corresponding sizes shown in table below), tolerance -0 mm + 0.1 mm with 1 mm/45 degree chamfer. The seal is made by NBR 70 Shore hardness o'ring fitted into external moulded groove.

- The TPBS/TPBSF models allow high levels of air passage through the vents located on the bottom of the head.

- The series series TPBSF includes a foam air filter element made from Polyurethane, filtration degree rate 40 micron.

- These low profile plugs and breathers are normally applied where overhead space is limited.

	Code	F	D	d	h1	h2
TPB-18	TPBS-18 TPBSF-18	18	30	23	14	14
TPB-20	TPBS-20 TPBSF-20	20	30	24	14	15,5
TPB-26	TPBS-26 TPBSF-26	26	30	30	14	16,5
TPB-30	TPBS-30 TPBSF-30	30	30	34	14	17