

Precision pressure regulator, Series AS2-RGP


- G 1/4 G 3/8
- Qn = 2200-2700 l/min
- Precision pressure regulator
- Activation Mechanical
- lockable
- for padlocks
- suitable for ATEX



Parts	Precision pressure regulator
Mounting orientation	Any
Certificates	suitable for ATEX
Working pressure min./max.	See table below
Ambient temperature min./max.	-10 ... 50 °C
Medium temperature min./max.	-10 ... 50 °C
Medium	Compressed air Neutral gases
Regulator type	Diaphragm-type pressure regulator Can be assembled into blocks
Regulator function	with relieving air exhaust
Adjustment range min./max.	See table below
Lock type	for padlocks
Pressure supply	single
Activation	Mechanical
Weight	See table below

Technical data

Part No.			Port	Flow	Working pressure min./max.	Adjustment range min./max.
				Qn		
R412006137			G 1/4	2200 l/min	0,1 ... 16 bar	0,1 ... 1 bar
R412006139			G 1/4	2200 l/min	0,1 ... 16 bar	0,1 ... 2 bar
R412006141			G 1/4	2200 l/min	0,2 ... 16 bar	0,2 ... 4 bar
R412006143			G 1/4	2200 l/min	0,5 ... 16 bar	0,5 ... 8 bar
R412006145			G 1/4	2200 l/min	0,5 ... 16 bar	0,5 ... 10 bar
R412006136		—	G 1/4	2200 l/min	0,1 ... 16 bar	0,1 ... 1 bar
R412006138		—	G 1/4	2200 l/min	0,1 ... 16 bar	0,1 ... 2 bar
R412006140		—	G 1/4	2200 l/min	0,2 ... 16 bar	0,2 ... 4 bar
R412006142		—	G 1/4	2200 l/min	0,5 ... 16 bar	0,5 ... 8 bar
R412006144		—	G 1/4	2200 l/min	0,5 ... 16 bar	0,5 ... 10 bar
R412006149			G 3/8	2700 l/min	0,1 ... 16 bar	0,1 ... 1 bar
R412006151			G 3/8	2700 l/min	0,1 ... 16 bar	0,1 ... 2 bar
R412006153			G 3/8	2700 l/min	0,2 ... 16 bar	0,2 ... 4 bar
R412006155			G 3/8	2700 l/min	0,5 ... 16 bar	0,5 ... 8 bar
R412006157			G 3/8	2700 l/min	0,5 ... 16 bar	0,5 ... 10 bar
R412006148		—	G 3/8	2700 l/min	0,1 ... 16 bar	0,1 ... 1 bar
R412006150		—	G 3/8	2700 l/min	0,1 ... 16 bar	0,1 ... 2 bar
R412006152		—	G 3/8	2700 l/min	0,2 ... 16 bar	0,2 ... 4 bar
R412006154		—	G 3/8	2700 l/min	0,5 ... 16 bar	0,5 ... 8 bar

Part No.		Port	Flow	Working pressure min./max.	Adjustment range min./max.	
			Qn			
R412006156		—	G 3/8	2700 l/min	0,5 ... 16 bar	0,5 ... 10 bar

Part No.	Weight	
R412006137	0,32 kg	1)
R412006139	0,32 kg	1)
R412006141	0,32 kg	1)
R412006143	0,32 kg	1)
R412006145	0,32 kg	1)
R412006136	0,248 kg	2)
R412006138	0,248 kg	2)
R412006140	0,248 kg	2)
R412006142	0,248 kg	2)
R412006144	0,248 kg	2)
R412006149	0,32 kg	1)
R412006151	0,32 kg	1)
R412006153	0,32 kg	1)
R412006155	0,32 kg	1)
R412006157	0,32 kg	1)
R412006148	0,248 kg	2)
R412006150	0,248 kg	2)
R412006152	0,248 kg	2)
R412006154	0,248 kg	2)
R412006156	0,248 kg	2)

Nominal flow Qn with secondary pressure p2 = 6 bar at $\Delta p = 1$ bar

- 1) Pressure gauge enclosed separately, Suitable for use in Ex zones 1, 2, 21, 22
- 2) Order pressure gauge separately, Suitable for use in Ex zones 1, 2, 21, 22

Technical information

The pressure dew point must be at least 15 °C under ambient and medium temperature and may not exceed 3 °C .

Recommended pre-filter: 5 µm

The rear pressure gauge connection on the pressure regulator is closed with a blanking plug, the front connection is open. Depending on the customer application, a second blanking plug may be necessary. Please order separately (see accessories).

Suitable for use in Ex zones 1, 2, 21, 22

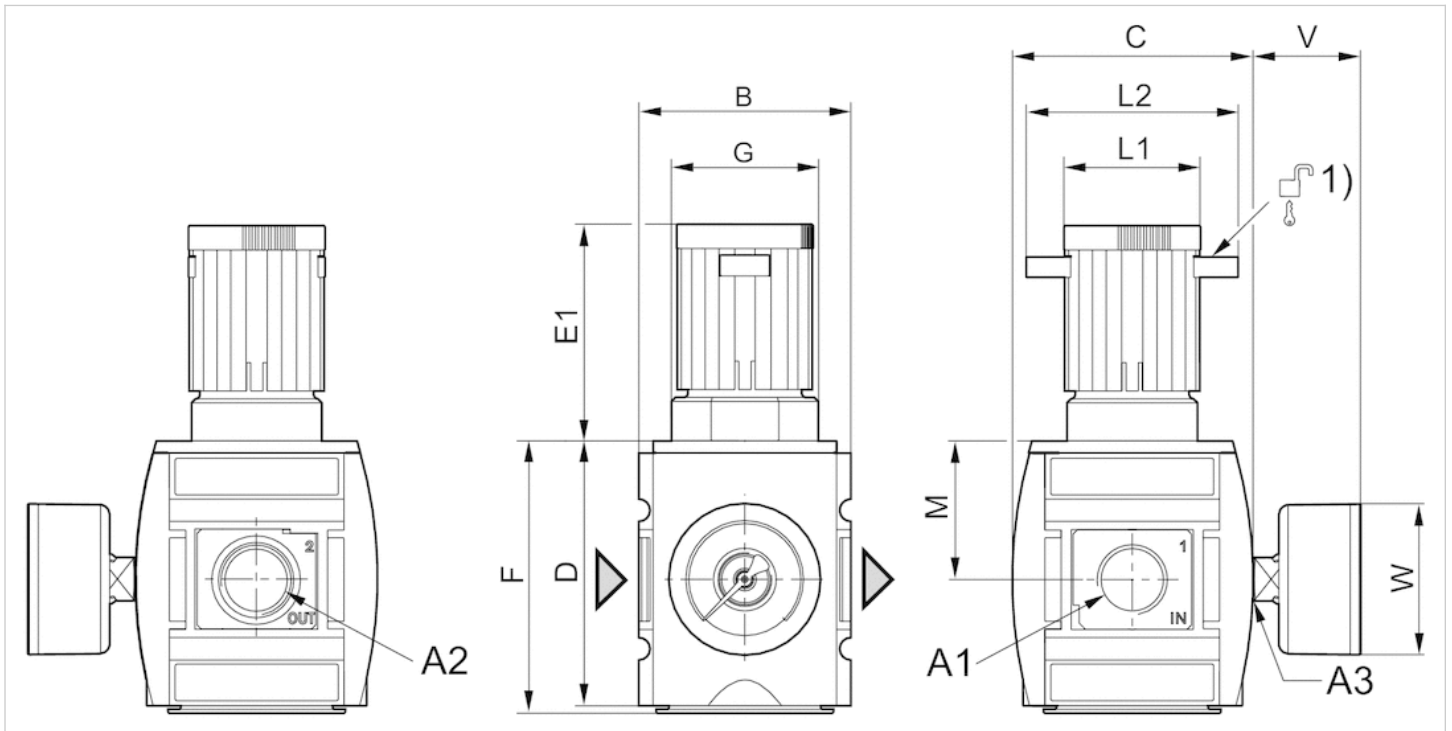
A change in the flow direction (from air supply on the left to air supply on the right) occurs by rotating installation by 180° about the vertical axis. Please see the operating instructions for further details.

Technical information

Material	
Housing	Polyamide
Front plate	Acrylonitrile butadiene styrene
Seals	Acrylonitrile butadiene rubber
Threaded bushing	Die cast zinc

Dimensions

Dimensions



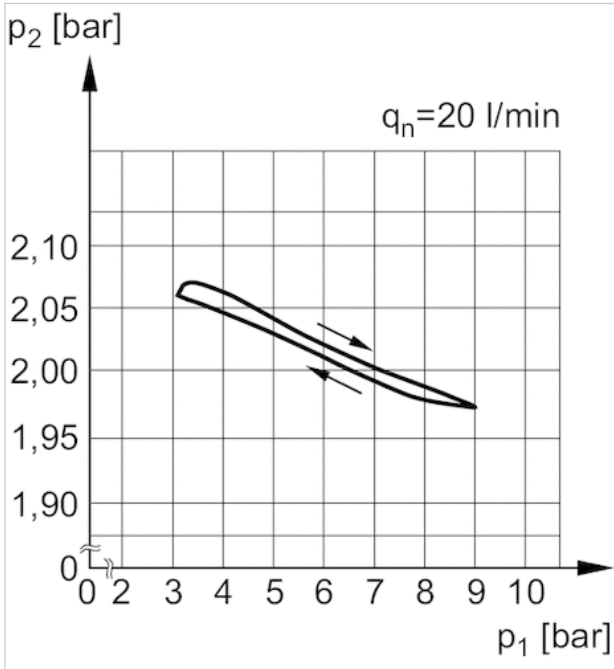
A1 = input
A2 = output
A3 = pressure gauge connection
1) Mounting option for padlocks; max. shackle Ø 8

Dimensions in mm

A1	A2	A3	B	C	D	E1	F	G	L1	L2	M	V	W
G 1/4	G 1/4	G 1/4	52	59	65	57.9	66.8	M36x1,5	34	54	34	37	50
G 3/8	G 3/8	G 1/4	52	59	65	57.9	66.8	M36x1,5	34	54	34	37	50

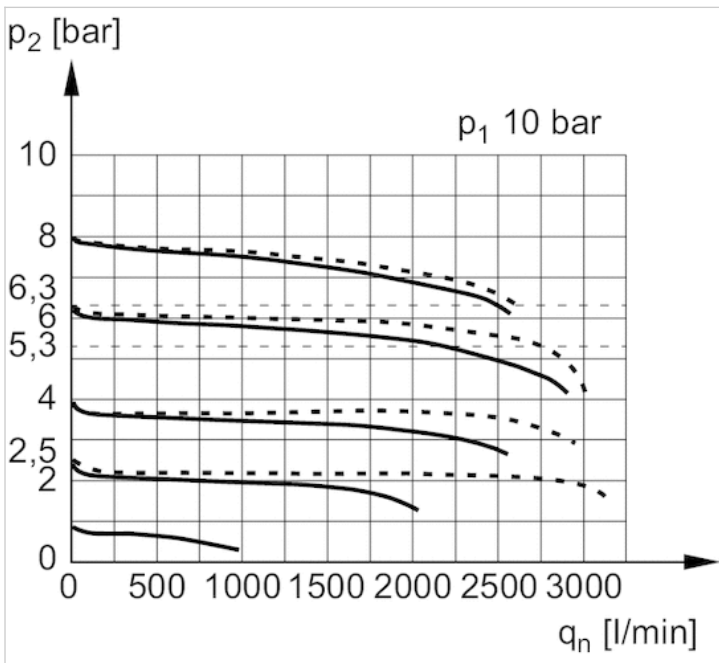
Diagrams

Pressure characteristics curve



p_1 = working pressure p_2 = secondary pressure q_n = flow rate

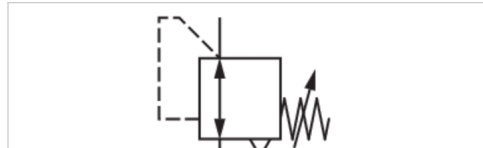
Flow rate characteristic (p_2 : 0.5 - 8 bar)



p_1 = Working pressure p_2 = Secondary pressure q_n = Nominal flow


Precision pressure regulator, Series AS3-RGP




- G 3/8
- Qn = 1600 l/min
- Precision pressure regulator
- Activation Mechanical
- lockable
- for padlocks
- suitable for ATEX



Parts	Precision pressure regulator
Mounting orientation	Any
Certificates	suitable for ATEX
Working pressure min./max.	See table
Ambient temperature min./max.	-10 ... 50 °C
Medium temperature min./max.	-10 ... 50 °C
Medium	Compressed air Neutral gases
Regulator type	Diaphragm-type pressure regulator Can be assembled into blocks
Regulator function	with relieving air exhaust
Adjustment range min./max.	See table
Lock type	for padlocks
Pressure supply	single
Activation	Mechanical
Internal air consumption q max.	2,6 l/min
Weight	See table

Technical data

Part No.			Port	Flow	Working pressure min./max.	Adjustment range min./max.
				Qn		
R412007136		—	G 3/8	1600 l/min	0,1 ... 16 bar	0,1 ... 1 bar
R412007137			G 3/8	1600 l/min	0,1 ... 16 bar	0,1 ... 1 bar
R412007138		—	G 3/8	4600 l/min	0,1 ... 16 bar	0,1 ... 2 bar
R412007139			G 3/8	4600 l/min	0,1 ... 16 bar	0,1 ... 2 bar
R412007140		—	G 3/8	5000 l/min	0,2 ... 16 bar	0,2 ... 4 bar
R412007141			G 3/8	5000 l/min	0,2 ... 16 bar	0,2 ... 4 bar
R412007142		—	G 3/8	4300 l/min	0,5 ... 16 bar	0,5 ... 8 bar
R412007143			G 3/8	4300 l/min	0,5 ... 16 bar	0,5 ... 8 bar
R412007144		—	G 3/8	4300 l/min	0,5 ... 16 bar	0,5 ... 10 bar
R412007145			G 3/8	4300 l/min	0,5 ... 16 bar	0,5 ... 10 bar
R412007148		—	G 1/2	1600 l/min	0,1 ... 16 bar	0,1 ... 1 bar
R412007149			G 1/2	1600 l/min	0,1 ... 16 bar	0,1 ... 1 bar
R412007150		—	G 1/2	4600 l/min	0,1 ... 16 bar	0,1 ... 2 bar
R412007151			G 1/2	4600 l/min	0,1 ... 16 bar	0,1 ... 2 bar
R412007152		—	G 1/2	5000 l/min	0,2 ... 16 bar	0,2 ... 4 bar
R412007153			G 1/2	5000 l/min	0,2 ... 16 bar	0,2 ... 4 bar
R412007154		—	G 1/2	5200 l/min	0,5 ... 16 bar	0,5 ... 8 bar
R412007155			G 1/2	5200 l/min	0,5 ... 16 bar	0,5 ... 8 bar

Part No.			Port	Flow	Working pressure min./max.	Adjustment range min./max.
				Qn		
R412007156		—	G 1/2	5200 l/min	0,5 ... 16 bar	0,5 ... 10 bar
R412007157			G 1/2	5200 l/min	0,5 ... 16 bar	0,5 ... 10 bar

Part No.	Pressure gauge	Weight	
R412007136	-	0,528 kg	1)
R412007137	with pressure gauge	0,6 kg	2)
R412007138	-	0,528 kg	1)
R412007139	with pressure gauge	0,6 kg	2)
R412007140	-	0,528 kg	1)
R412007141	with pressure gauge	0,6 kg	2)
R412007142	-	0,528 kg	1)
R412007143	with pressure gauge	0,6 kg	2)
R412007144	-	0,528 kg	1)
R412007145	with pressure gauge	0,6 kg	2)
R412007148	-	0,528 kg	1)
R412007149	with pressure gauge	0,6 kg	2)
R412007150	-	0,528 kg	1)
R412007151	with pressure gauge	0,6 kg	2)
R412007152	-	0,528 kg	1)
R412007153	with pressure gauge	0,6 kg	2)
R412007154	-	0,528 kg	1)
R412007155	with pressure gauge	0,6 kg	2)
R412007156	-	0,528 kg	1)
R412007157	with pressure gauge	0,6 kg	2)

Technical information

2) Pressure gauge enclosed separately. Suitable for use in Ex zones 1, 2, 21, 22

The pressure dew point must be at least 15 °C under ambient and medium temperature and may not exceed 3 °C .

Recommended pre-filter: 5 µm

The rear pressure gauge connection on the pressure regulator is closed with a blanking plug, the front connection is open. Depending on the customer application, a second blanking plug may be necessary. Please order separately (see accessories).

Suitable for use in Ex zones 1, 2, 21, 22

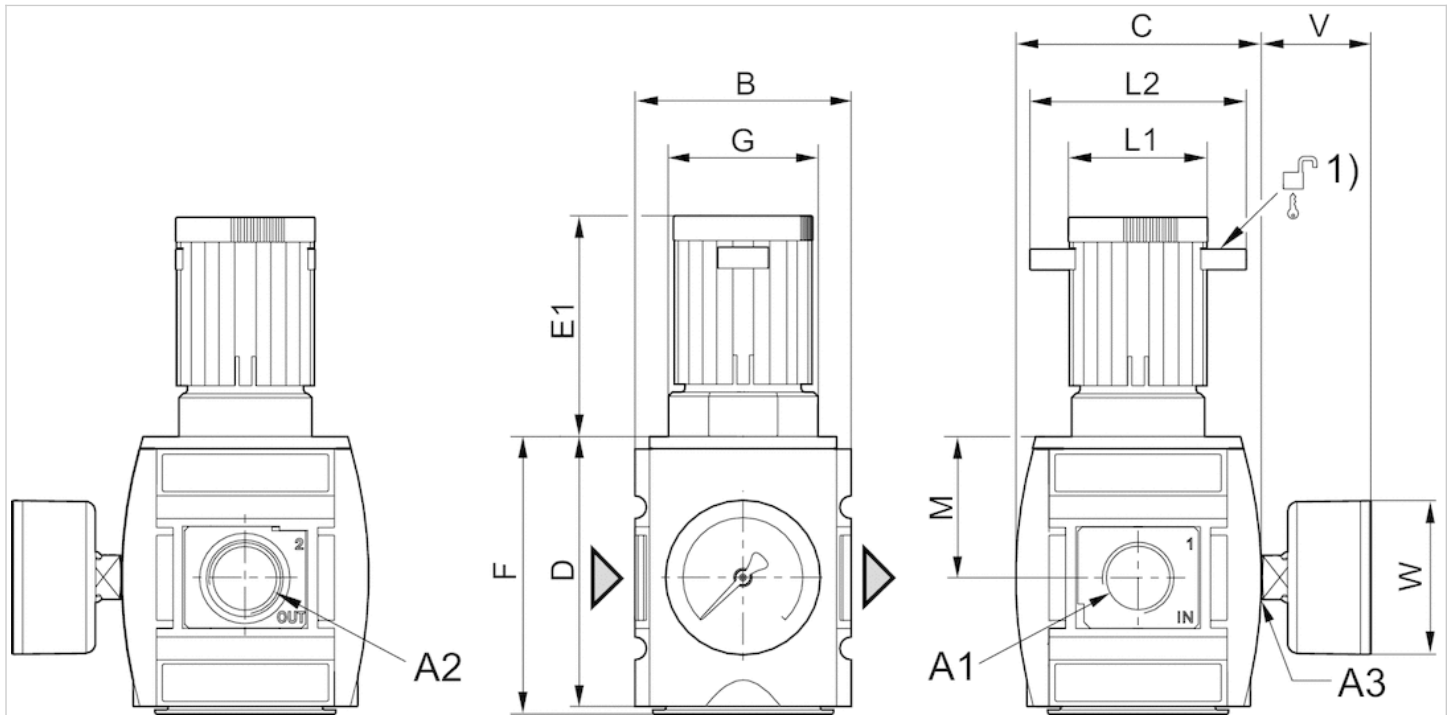
A change in the flow direction (from air supply on the left to air supply on the right) occurs by rotating installation by 180° about the vertical axis. Please see the operating instructions for further details.

Technical information

Material	
Housing	Polyamide
Front plate	Acrylonitrile butadiene styrene
Seals	Acrylonitrile butadiene rubber
Threaded bushing	Die cast zinc

Dimensions

Dimensions



A1 = input A2 = output A3 = pressure gauge connection

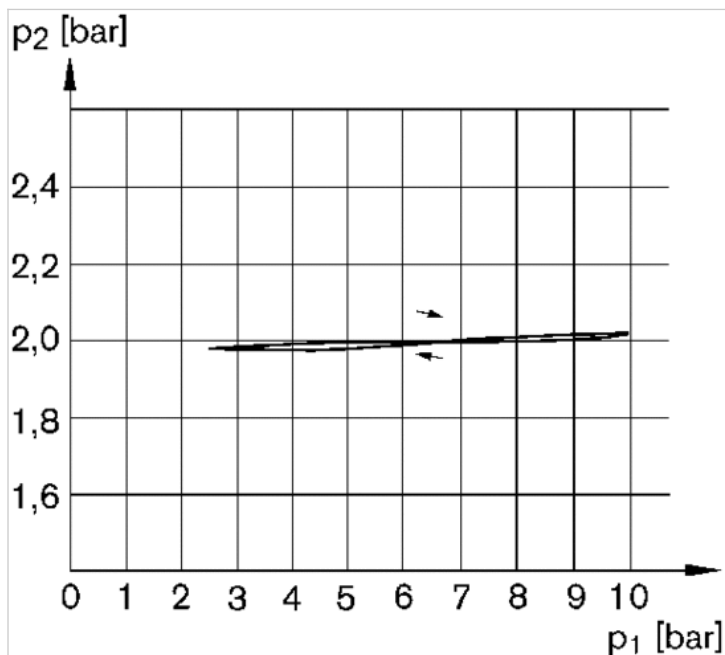
1) Mounting option for padlocks; max. shackle Ø 8

Dimensions in mm

A1	A2	A3	B	C	D	E1	F	G	L1	L2	M	V	W
G 3/8	G 3/8	G 1/4	63	74	80	63.5	82	M42x1,5	41	60	42.5	33	50
G 3/8	G 3/8	G 1/4	63	74	80	63.5	82	M42x1,5	41	60	42.5	33	50
G 1/2	G 1/2	G 1/4	63	74	80	63.5	82	M42x1,5	41	60	42.5	33	50

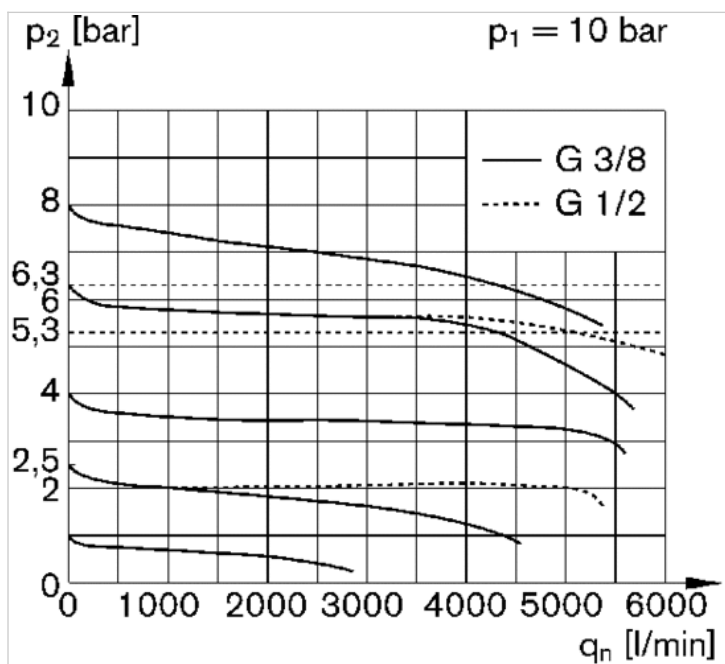
Diagrams

Pressure characteristics curve



p_1 = working pressure
 p_2 = secondary pressure

Flow rate characteristic (p_2 : 0.5 - 8 bar)



p_1 = Working pressure
 p_2 = Secondary pressure
 q_n = Nominal flow