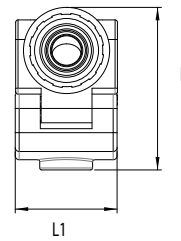
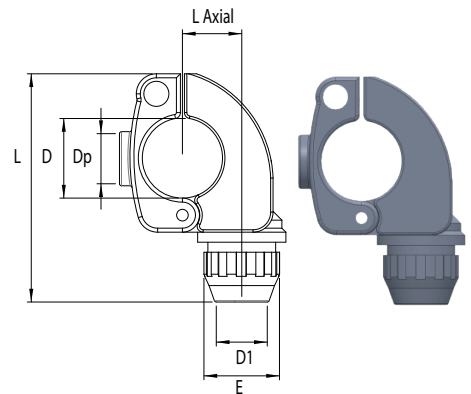


QLDERAL		Quick branch plug with aluminium nut						
Code	Gr.	D	D1	L	E	L1	Dp	L Axial
QLDERAL025020	195	25	20	113	45	52	19	24,5
QLDERAL032020	200	32	20	113	45	52	19	24,5
QLDERAL040020	250	40	20	125	45	52	24	29,6
QLDERAL040025	260	40	25	125	51	52	24	29,6
QLDERAL050020	315	50	20	145	45	60	24	31
QLDERAL050025	323	50	25	145	51	60	24	31
QLDERAL063020	360	63	20	145	45	60	24	43
QLDERAL063025	372	63	25	145	51	60	24	43
QLDERAL063032	420	63	32	145	61	60	24	43
QLDERAL080020	1080	80	20	220	45	63	24	71
QLDERAL080025	1095	80	25	220	51	63	24	71
QLDERAL080032	1140	80	32	220	61	63	24	71



See video
Quick branch plugs

