

IN-LINE SOLENOID VALVE SERIES SOV L

**METAL
WORK**
P N E U M A T I C

SOV L solenoid valves belong to the LINE ON LINE® family, which means they can be connected to all the other components in series or in parallel. Available in the version for pipe-pipe connection with two push-in fittings, and in the version for thread-pipe connection with a brass nickel-plated male thread and a push-in fitting.

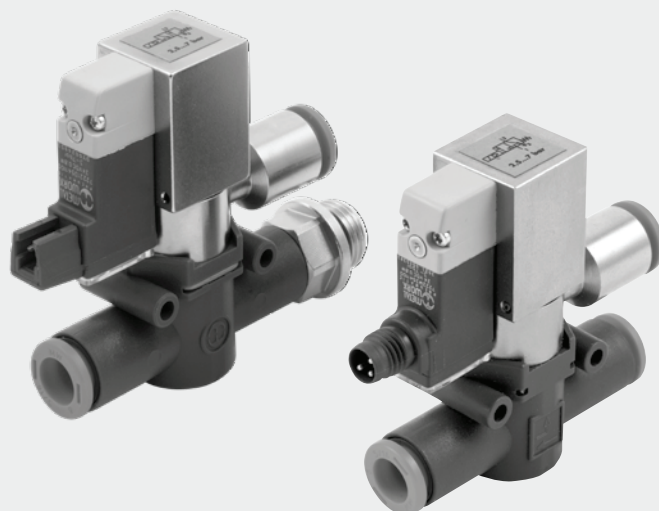
Though small in size, SOV L valves are solenoid-piloted and feature very high performance.

The spool distributor is fitted with special polyurethane gaskets to ensure a very long working life.

Each valve comes complete with a monostable manual control and LED.

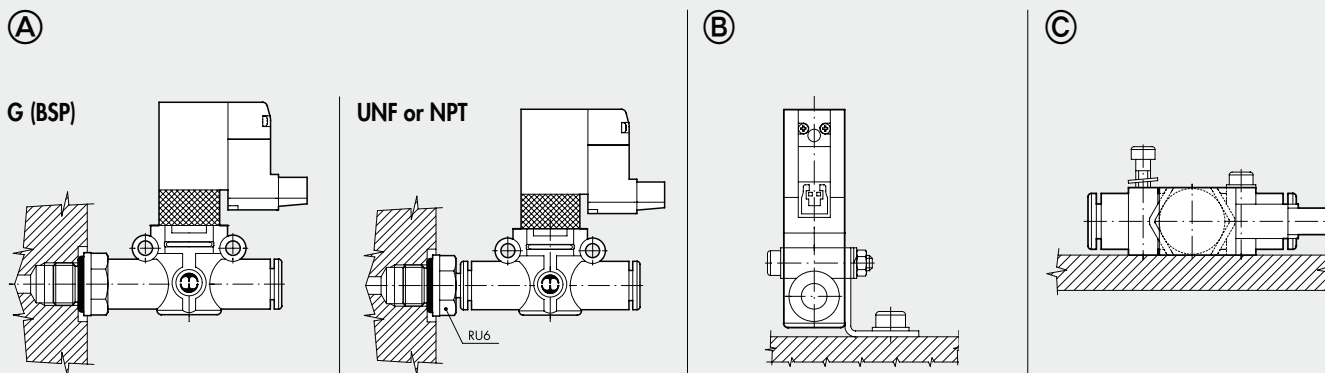
The electrical connection can be the PLUG-IN type or the type with an M8 3 PIN IP65 threaded fitting.

Exhaust can be damped with an annular silencer or conveyed via a pipe fitting. The fitting for conveyed exhaust can be oriented freely.



TECHNICAL DATA		Ø 6	Ø 1/4	Ø 8 (Ø5/16")
Operating pressure	MPa		0.3 to 0.7	
	bar		3 to 7	
	psi		43.5 to 101	
Temperature range	°C		5 to 50	
	°F		41 to 122	
Flow rate at 6.3 bar ΔP 0.5 bar	NI/min	270	270	500
Flow rate at 6.3 bar ΔP 1 bar	NI/min	380	380	700
Conductance C	NI/min-bar	95.8	95.8	178.1
Coefficient b	bar/bar	0.145	0.145	0.129
Voltage	VDC		24	
Power			0.9	
Recommended pipe		Rilsan PA11 - Nylon 6 - Polyamide 12 - Polypropylene		
Fluid		Lubricated or unlubricated filtered compressed air; if used, must be continuous		
Compatibility with oils		See chapter Z1		
Type of electrical connection		PLUG-IN - M8 3 PIN IP65 threaded fitting		

ASSEMBLY OPTIONS

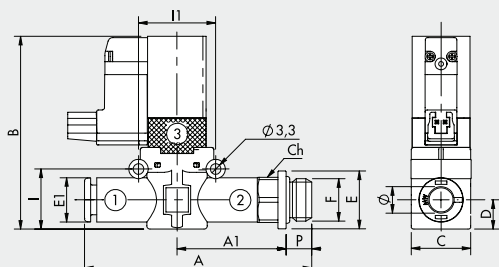


How to mount the SOV L:

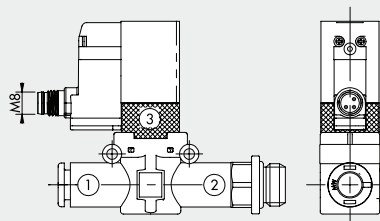
- Fig. **A** **G (BSP)**: With the male threaded port it is possible to mount the SOV L straight onto the actuator.
UNF or NPT: Adding a RU6 fitting, with his male UNF or NPT thread, it is possible to mount the SOV L straight on to the actuator or the control valve.
- Fig. **B** Fixing to the plate with the special SQU L bracket.
- Fig. **C** There are two robust rings on the plastic body for fixing the SOV L straight onto the wall.

SOV L 3/2 NC-NO PIPE - G (BSP) THREAD SILENCED EXHAUST

PLUG-IN VERSION

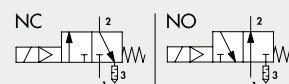


M8 VERSION



M8 CONNECTION

- 1 Not used
 3 0 V (Operation also with reverse polarity)
 4 +24V

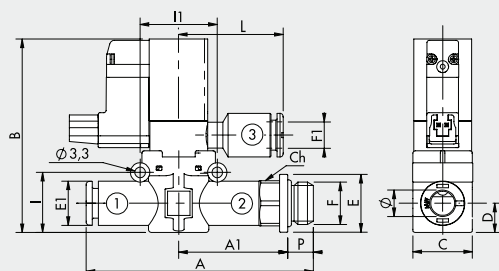


Code	Ref.	Ø	F	P	A	A1	B	C	D	E	E1	I	I1	Ch	Electrical connection
9069408	SOV L 3/2 NC Ø6-1/8	6	1/8	6	58.5	27.8	57.5	14.7	6.4	14	11.4	14.6	20	12	PLUG-IN
906M408	SOV L 3/2 NC Ø6-1/8 M8														M8
9069508	SOV L 3/2 NO Ø6-1/8														PLUG-IN
9069409	SOV L 3/2 NC Ø6-1/4	6	1/4	8	61.5	28.8	57.5	14.7	6.4	18	11.4	14.6	20	14	PLUG-IN
906M409	SOV L 3/2 NC Ø6-1/4 M8														M8
9069509	SOV L 3/2 NO Ø6-1/4														PLUG-IN
9069410	SOV L 3/2 NC Ø8-1/8	8 ▲	1/8	6	66.2	31.8	63.5	18.7	9.1	15	13.8	18.7	24	14	PLUG-IN
906M410	SOV L 3/2 NC Ø8-1/8 M8														M8
9069510	SOV L 3/2 NO Ø8-1/8														PLUG-IN
9069411	SOV L 3/2 NC Ø8-1/4	8 ▲	1/4	8	70.6	34.2	63.5	18.7	9.1	18	13.8	18.7	24	14	PLUG-IN
906M411	SOV L 3/2 NC Ø8-1/4 M8														M8
9069511	SOV L 3/2 NO Ø8-1/4														PLUG-IN
9069412	SOV L 3/2 NC Ø8-3/8	8 ▲	3/8	9	72.2	34.8	63.5	18.7	9.1	22	13.8	18.7	24	17	PLUG-IN
906M412	SOV L 3/2 NC Ø8-3/8 M8														M8
9069512	SOV L 3/2 NO Ø8-3/8														PLUG-IN

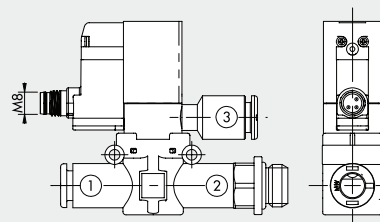
▲ Ø8 = Ø5/16"

SOV L 3/2 NC-NO PIPE - G (BSP) THREAD CONVEYED EXHAUST

PLUG-IN VERSION

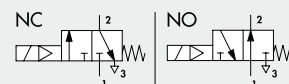


M8 VERSION



M8 CONNECTION

- 1 Not used
 3 0 V (Operation also with reverse polarity)
 4 +24V



Code	Ref.	Ø	F	P	A	A1	B	C	D	E	E1	F1	I	I1	L	Ch	Electrical connection
9069608	SOV L 3/2 NC Ø6-1/8-Ø6	6	1/8	6	58.5	27.8	57.5	14.7	6.4	14	11.4	Ø 6	14.6	20	28.3	12	PLUG-IN
906M608	SOV L 3/2 NC Ø6-1/8-Ø6 M8																M8
9069708	SOV L 3/2 NO Ø6-1/8-Ø6																PLUG-IN
9069609	SOV L 3/2 NC Ø6-1/4-Ø6	6	1/4	8	61.5	28.8	57.5	14.7	6.4	18	11.4	Ø 6	14.6	20	28.3	14	PLUG-IN
906M609	SOV L 3/2 NC Ø6-1/4-Ø6 M8																M8
9069709	SOV L 3/2 NO Ø6-1/4-Ø6																PLUG-IN
9069610	SOV L 3/2 NC Ø8-1/8-Ø8	8 ▲	1/8	6	66.2	31.8	63.5	18.7	9.1	15	13.8	Ø 8 ▲	18.7	24	30	14	PLUG-IN
906M610	SOV L 3/2 NC Ø8-1/8-Ø8 M8																M8
9069710	SOV L 3/2 NO Ø8-1/8-Ø8																PLUG-IN
9069611	SOV L 3/2 NC Ø8-1/4-Ø8	8 ▲	1/4	8	70.6	34.2	63.5	18.7	9.1	18	13.8	Ø 8 ▲	18.7	24	30	14	PLUG-IN
906M611	SOV L 3/2 NC Ø8-1/4-Ø8 M8																M8
9069711	SOV L 3/2 NO Ø8-1/4-Ø8																PLUG-IN
9069612	SOV L 3/2 NC Ø8-3/8-Ø8	8 ▲	3/8	9	72.2	34.8	63.5	18.7	9.1	22	13.8	Ø 8 ▲	18.7	24	30	17	PLUG-IN
906M612	SOV L 3/2 NC Ø8-3/8-Ø8 M8																M8
9069712	SOV L 3/2 NO Ø8-3/8-Ø8																PLUG-IN

▲ Ø8 = Ø5/16"