

SOLENOID VALVE CNOMO

Solenoid valve to CNOMO 060580.

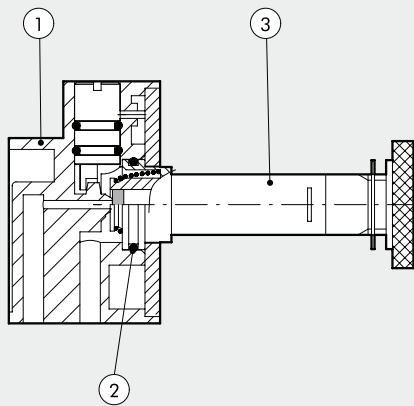
- 3/2 version normally closed
- Bistable and monostable manual actuation
- Assembly on manifold base



TECHNICAL DATA

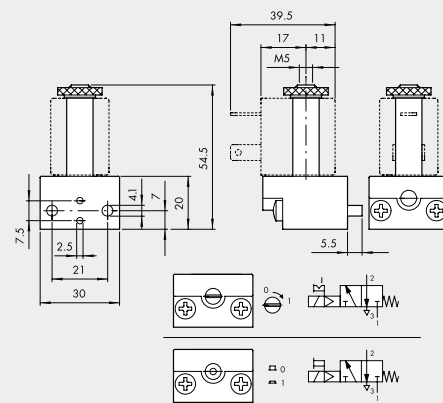
Operating pressure	bar	Max 10
Operating temperature range	°C	-10 to 60
Solenoid rating		100% ED
Fluid		Filtered lubricated or unlubricated air
System		With poppet
Nominal flow rate	l/min	40
TRA/TRR at 6 bar	ms	22/32
Maximum coil nut torque	Nm	1

COMPONENTS



- ① VALVE BODY: HOSTAFORM®
- ② GASKETS: NBR
- ③ OPERATOR: Brass pipe – Stainless steel core

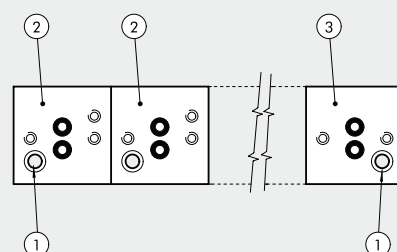
DIMENSIONS



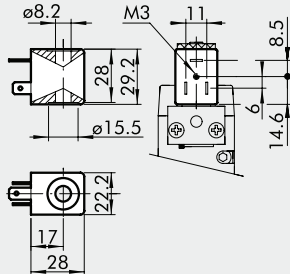
Code	Description
9453920	Cnomo 3/2 with monostable manual actuation
9453922	Cnomo 3/2 with bistable manual actuation

MODULAR CONFIGURATION OF CNOMO BASES

- ① Two fixing screws (included in input kit)
- ② CNOMO manifold base kit
- ③ CNOMO manifold base input kit



COILS SIDE 22 mm



- Voltage tolerance: -10% to + 15%
- Insulation class: F155
- Degree of protection: IP65 EN60529 with connector
- Avoid prolonged exposure to the atmospheric agents

- Coil temperature 100% ED:
55°C at 20°C ambient temperature
- According to Atex 2014/34/EU rule, group 2, category 3 GD

Code	Abbrev.	Nominal voltage	Absorption	
			Inrush	Holding
W0215000151	Coil 22 Ø 8 BA 2W-12VDC	12V _{cc}	2W	2W
W0215000101	Coil 22 Ø 8 BA 2W-24VDC	24V _{cc}	2W	2W
W0215000111	Coil 22 Ø 8 BA 3.5VA-24VAC	24V 50/60Hz	5.3VA	3.5VA
W0215000121	Coil 22 Ø 8 BA 3.5VA-110VAC	110V 50/60Hz	5.3VA	3.5VA
W0215000131	Coil 22 Ø 8 BA 3.5VA-220VAC	220V 50/60Hz	5.3VA	3.5VA