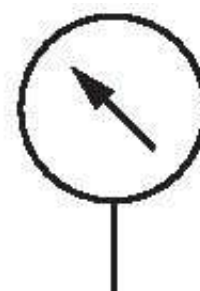


Pressure gauge, Series PG1-SNL

1827231009

General series information
Series PG1 Pressure gauges

- With the AVENTICS Series PG1 you can visualize and rely on a clear air pressure display for each of your pneumatic circuits. In addition to the parameters for controlling the air quality, supplying sufficient pressure is the basis for operating a reliable system within machine automation. Emerson offers mechanical pressure gauges that can be integrated into machines for diverse applications and air preparation systems. The specifications of the individual versions in the universal PG1 Series provide a selection of options, such as appearance, material, or the required type of mounting.



Technical data

Industry	Industrial
Pressure gauge version	Bourdon tube pressure gauge Back port
Standardization	EN 837-1
ATEX	Suitable for ATEX
Class	1,6
Compressed air connection	G 1/8
Nominal diameter	40 mm
Scale value	0.5
Range of application min.	0 bar
Range of application max.	12 bar
Display range min.	0 bar

Display range max.	16 bar
Working pressure min.	0 bar
Working pressure max	16 bar
Min. ambient temperature	-40 °C
Max. ambient temperature	60 °C
Medium	Compressed air
Background color	Black
Main scale unit (outside)	bar
Main scale color (outside)	Green
Secondary scale unit (inside)	psi
Secondary scale color (inside)	White
Pointer color	White
Weight	0.06 kg

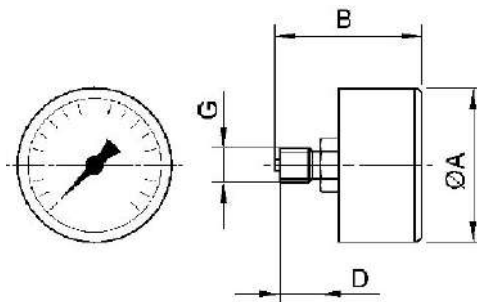
Material

Housing material	Acrylonitrile butadiene styrene
Material viewing window	Polystyrene
Material thread	Brass
	1827231009

Technical information

Order axial seal separately

Dimensions



Dimensions in mm

Part No.	G	Nominal diameter	Ø A	B	D
1827231053	G 1/8	40 mm	39	44	10
1827231048	G 1/8	40 mm	39	44	10
1827231024	G 1/8	40 mm	39	44	10
1827231009	G 1/4	40 mm	39	44	10
1827231057	G 1/4	40 mm	41	41.5	10

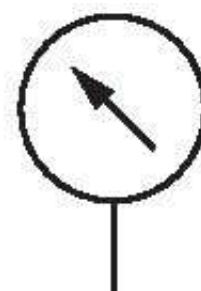
Part No.	G	Nominal diameter	Ø A	B	D
1827231047	G 1/4	40 mm	41	41.5	10
1827231059	G 1/4	40 mm	41	41.5	10
1827231060	G 1/4	40 mm	41	41.5	10
1827231054	G 1/4	40 mm	49	47.5	13
1827231023	G 1/4	50 mm	49	47.5	13
1827231012	G 1/4	50 mm	49	47.5	13
1827231016	G 1/4	50 mm	49	47.5	13
1827231015	G 1/4	50 mm	49	47.5	13
1827231010	G 1/4	50 mm	49	47.5	13
1827231055	G 1/4	60 mm	63	48.3	13
1827231011	G 1/4	63 mm	63	48.3	13

Pressure gauge, Series PG1-SNL

1827231010

General series information
Series PG1 Pressure gauges

- With the AVENTICS Series PG1 you can visualize and rely on a clear air pressure display for each of your pneumatic circuits. In addition to the parameters for controlling the air quality, supplying sufficient pressure is the basis for operating a reliable system within machine automation. Emerson offers mechanical pressure gauges that can be integrated into machines for diverse applications and air preparation systems. The specifications of the individual versions in the universal PG1 Series provide a selection of options, such as appearance, material, or the required type of mounting.



Technical data

Industry	Industrial
Pressure gauge version	Bourdon tube pressure gauge Back port
Standardization	EN 837-1
ATEX	Suitable for ATEX
Class	1,6
Compressed air connection	G 1/4
Nominal diameter	50 mm
Scale value	0.5
Range of application min.	0 bar
Range of application max.	12 bar
Display range min.	0 bar

Display range max.	16 bar
Working pressure min.	0 bar
Working pressure max	16 bar
Min. ambient temperature	-40 °C
Max. ambient temperature	60 °C
Medium	Compressed air
Background color	Black
Main scale unit (outside)	bar
Main scale color (outside)	Green
Secondary scale unit (inside)	psi
Secondary scale color (inside)	White
Pointer color	White
Weight	0.09 kg

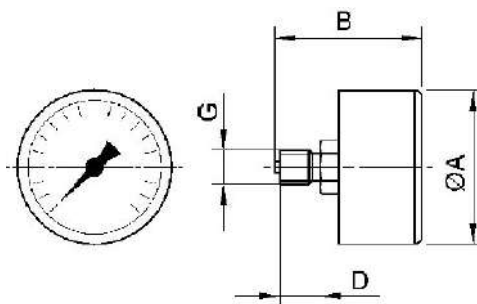
Material

Housing material	Acrylonitrile butadiene styrene
Material viewing window	Polystyrene
Material thread	Brass
	1827231010

Technical information

Order axial seal separately

Dimensions



Dimensions in mm

Part No.	G	Nominal diameter	Ø A	B	D
1827231053	G 1/8	40 mm	39	44	10
1827231048	G 1/8	40 mm	39	44	10
1827231024	G 1/8	40 mm	39	44	10
1827231009	G 1/4	40 mm	39	44	10
1827231057	G 1/4	40 mm	41	41.5	10

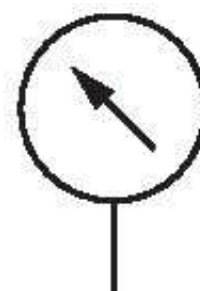
Part No.	G	Nominal diameter	Ø A	B	D
1827231047	G 1/4	40 mm	41	41.5	10
1827231059	G 1/4	40 mm	41	41.5	10
1827231060	G 1/4	40 mm	41	41.5	10
1827231054	G 1/4	40 mm	49	47.5	13
1827231023	G 1/4	50 mm	49	47.5	13
1827231012	G 1/4	50 mm	49	47.5	13
1827231016	G 1/4	50 mm	49	47.5	13
1827231015	G 1/4	50 mm	49	47.5	13
1827231010	G 1/4	50 mm	49	47.5	13
1827231055	G 1/4	60 mm	63	48.3	13
1827231011	G 1/4	63 mm	63	48.3	13

Pressure gauge, Series PG1-SNL

1827231011

General series information
Series PG1 Pressure gauges

- With the AVENTICS Series PG1 you can visualize and rely on a clear air pressure display for each of your pneumatic circuits. In addition to the parameters for controlling the air quality, supplying sufficient pressure is the basis for operating a reliable system within machine automation. Emerson offers mechanical pressure gauges that can be integrated into machines for diverse applications and air preparation systems. The specifications of the individual versions in the universal PG1 Series provide a selection of options, such as appearance, material, or the required type of mounting.



Technical data

Industry	Industrial
Pressure gauge version	Bourdon tube pressure gauge Back port
Standardization	EN 837-1
ATEX	Suitable for ATEX
Class	1,6
Compressed air connection	G 1/4
Nominal diameter	63 mm
Scale value	0.5
Range of application min.	0 bar
Range of application max.	12 bar
Display range min.	0 bar

Display range max.	16 bar
Working pressure min.	0 bar
Working pressure max	16 bar
Min. ambient temperature	-40 °C
Max. ambient temperature	60 °C
Medium	Compressed air
Background color	Black
Main scale unit (outside)	bar
Main scale color (outside)	Green
Secondary scale unit (inside)	psi
Secondary scale color (inside)	White
Pointer color	White
Weight	0.1 kg

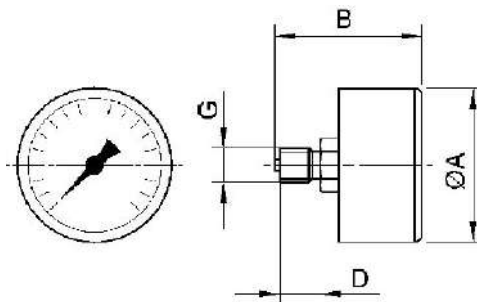
Material

Housing material	Acrylonitrile butadiene styrene
Material viewing window	Polystyrene
Material thread	Brass
	1827231011

Technical information

Order axial seal separately

Dimensions



Dimensions in mm

Part No.	G	Nominal diameter	Ø A	B	D
1827231053	G 1/8	40 mm	39	44	10
1827231048	G 1/8	40 mm	39	44	10
1827231024	G 1/8	40 mm	39	44	10
1827231009	G 1/4	40 mm	39	44	10
1827231057	G 1/4	40 mm	41	41.5	10

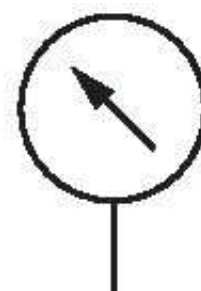
Part No.	G	Nominal diameter	Ø A	B	D
1827231047	G 1/4	40 mm	41	41.5	10
1827231059	G 1/4	40 mm	41	41.5	10
1827231060	G 1/4	40 mm	41	41.5	10
1827231054	G 1/4	40 mm	49	47.5	13
1827231023	G 1/4	50 mm	49	47.5	13
1827231012	G 1/4	50 mm	49	47.5	13
1827231016	G 1/4	50 mm	49	47.5	13
1827231015	G 1/4	50 mm	49	47.5	13
1827231010	G 1/4	50 mm	49	47.5	13
1827231055	G 1/4	60 mm	63	48.3	13
1827231011	G 1/4	63 mm	63	48.3	13

Pressure gauge, Series PG1-SNL

1827231012

General series information
Series PG1 Pressure gauges

- With the AVENTICS Series PG1 you can visualize and rely on a clear air pressure display for each of your pneumatic circuits. In addition to the parameters for controlling the air quality, supplying sufficient pressure is the basis for operating a reliable system within machine automation. Emerson offers mechanical pressure gauges that can be integrated into machines for diverse applications and air preparation systems. The specifications of the individual versions in the universal PG1 Series provide a selection of options, such as appearance, material, or the required type of mounting.



Technical data

Industry	Industrial
Pressure gauge version	Bourdon tube pressure gauge Back port
Standardization	EN 837-1
Class	1,6
Compressed air connection	G 1/4
Nominal diameter	50 mm
Scale value	0.1
Range of application min.	0 bar
Range of application max.	2 bar
Display range min.	0 bar
Display range max.	2.5 bar

Working pressure min.	0 bar
Working pressure max	2.5 bar
Min. ambient temperature	-40 °C
Max. ambient temperature	60 °C
Medium	Compressed air
Background color	Black
Main scale unit (outside)	bar
Main scale color (outside)	Green
Secondary scale unit (inside)	psi
Secondary scale color (inside)	White
Pointer color	White
Weight	0.09 kg

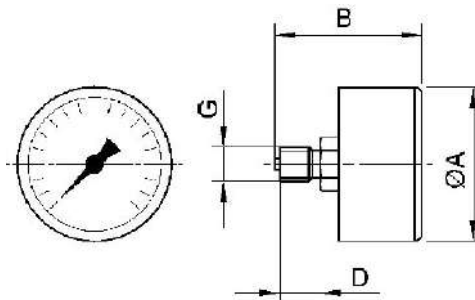
Material

Housing material	Acrylonitrile butadiene styrene
Material viewing window	Polystyrene
Material thread	Brass
	1827231012

Technical information

Order axial seal separately

Dimensions



Dimensions in mm

Part No.	G	Nominal diameter	Ø A	B	D
1827231053	G 1/8	40 mm	39	44	10
1827231048	G 1/8	40 mm	39	44	10
1827231024	G 1/8	40 mm	39	44	10
1827231009	G 1/4	40 mm	39	44	10
1827231057	G 1/4	40 mm	41	41.5	10
1827231047	G 1/4	40 mm	41	41.5	10

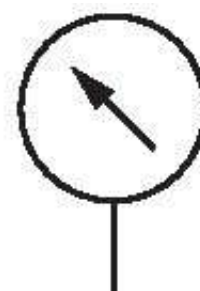
Part No.	G	Nominal diameter	Ø A	B	D
1827231059	G 1/4	40 mm	41	41.5	10
1827231060	G 1/4	40 mm	41	41.5	10
1827231054	G 1/4	40 mm	49	47.5	13
1827231023	G 1/4	50 mm	49	47.5	13
1827231012	G 1/4	50 mm	49	47.5	13
1827231016	G 1/4	50 mm	49	47.5	13
1827231015	G 1/4	50 mm	49	47.5	13
1827231010	G 1/4	50 mm	49	47.5	13
1827231055	G 1/4	60 mm	63	48.3	13
1827231011	G 1/4	63 mm	63	48.3	13

Pressure gauge, Series PG1-SNL

1827231015

General series information
Series PG1 Pressure gauges

- With the AVENTICS Series PG1 you can visualize and rely on a clear air pressure display for each of your pneumatic circuits. In addition to the parameters for controlling the air quality, supplying sufficient pressure is the basis for operating a reliable system within machine automation. Emerson offers mechanical pressure gauges that can be integrated into machines for diverse applications and air preparation systems. The specifications of the individual versions in the universal PG1 Series provide a selection of options, such as appearance, material, or the required type of mounting.



Technical data

Industry	Industrial
Pressure gauge version	Bourdon tube pressure gauge Back port
Standardization	EN 837-1
ATEX	Suitable for ATEX
Class	1,6
Compressed air connection	G 1/4
Nominal diameter	50 mm
Scale value	0.5
Range of application min.	0 bar
Range of application max.	8 bar
Display range min.	0 bar

Display range max.	10 bar
Working pressure min.	0 bar
Working pressure max	10 bar
Min. ambient temperature	-40 °C
Max. ambient temperature	60 °C
Medium	Compressed air
Background color	Black
Main scale unit (outside)	bar
Main scale color (outside)	Green
Secondary scale unit (inside)	psi
Secondary scale color (inside)	White
Pointer color	White
Weight	0.09 kg

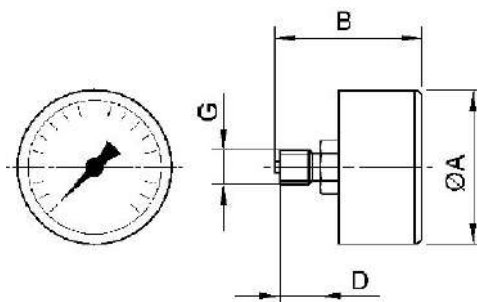
Material

Housing material	Acrylonitrile butadiene styrene
Material viewing window	Polystyrene
Material thread	Brass
	1827231015

Technical information

Order axial seal separately

Dimensions



Dimensions in mm

Part No.	G	Nominal diameter	Ø A	B	D
1827231053	G 1/8	40 mm	39	44	10
1827231048	G 1/8	40 mm	39	44	10
1827231024	G 1/8	40 mm	39	44	10
1827231009	G 1/4	40 mm	39	44	10
1827231057	G 1/4	40 mm	41	41.5	10

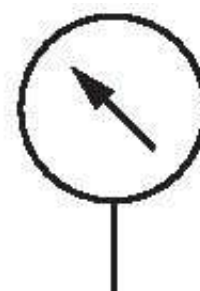
Part No.	G	Nominal diameter	Ø A	B	D
1827231047	G 1/4	40 mm	41	41.5	10
1827231059	G 1/4	40 mm	41	41.5	10
1827231060	G 1/4	40 mm	41	41.5	10
1827231054	G 1/4	40 mm	49	47.5	13
1827231023	G 1/4	50 mm	49	47.5	13
1827231012	G 1/4	50 mm	49	47.5	13
1827231016	G 1/4	50 mm	49	47.5	13
1827231015	G 1/4	50 mm	49	47.5	13
1827231010	G 1/4	50 mm	49	47.5	13
1827231055	G 1/4	60 mm	63	48.3	13
1827231011	G 1/4	63 mm	63	48.3	13

Pressure gauge, Series PG1-SNL

1827231016

General series information
Series PG1 Pressure gauges

- With the AVENTICS Series PG1 you can visualize and rely on a clear air pressure display for each of your pneumatic circuits. In addition to the parameters for controlling the air quality, supplying sufficient pressure is the basis for operating a reliable system within machine automation. Emerson offers mechanical pressure gauges that can be integrated into machines for diverse applications and air preparation systems. The specifications of the individual versions in the universal PG1 Series provide a selection of options, such as appearance, material, or the required type of mounting.



Technical data

Industry	Industrial
Pressure gauge version	Bourdon tube pressure gauge Back port
Standardization	EN 837-1
ATEX	Suitable for ATEX
Class	1,6
Compressed air connection	G 1/4
Nominal diameter	50 mm
Scale value	0.2
Range of application min.	0 bar
Range of application max.	4 bar
Display range min.	0 bar

Display range max.	6 bar
Working pressure min.	0 bar
Working pressure max	6 bar
Min. ambient temperature	-40 °C
Max. ambient temperature	60 °C
Medium	Compressed air
Background color	Black
Main scale unit (outside)	bar
Main scale color (outside)	Green
Secondary scale unit (inside)	psi
Secondary scale color (inside)	White
Pointer color	White
Weight	0.09 kg

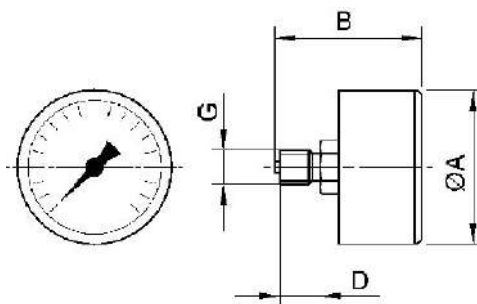
Material

Housing material	Acrylonitrile butadiene styrene
Material viewing window	Polystyrene
Material thread	Brass
	1827231016

Technical information

Order axial seal separately

Dimensions



Dimensions in mm

Part No.	G	Nominal diameter	Ø A	B	D
1827231053	G 1/8	40 mm	39	44	10
1827231048	G 1/8	40 mm	39	44	10
1827231024	G 1/8	40 mm	39	44	10
1827231009	G 1/4	40 mm	39	44	10
1827231057	G 1/4	40 mm	41	41.5	10

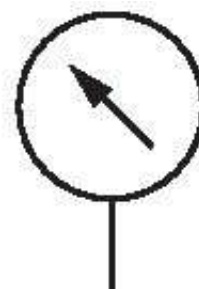
Part No.	G	Nominal diameter	Ø A	B	D
1827231047	G 1/4	40 mm	41	41.5	10
1827231059	G 1/4	40 mm	41	41.5	10
1827231060	G 1/4	40 mm	41	41.5	10
1827231054	G 1/4	40 mm	49	47.5	13
1827231023	G 1/4	50 mm	49	47.5	13
1827231012	G 1/4	50 mm	49	47.5	13
1827231016	G 1/4	50 mm	49	47.5	13
1827231015	G 1/4	50 mm	49	47.5	13
1827231010	G 1/4	50 mm	49	47.5	13
1827231055	G 1/4	60 mm	63	48.3	13
1827231011	G 1/4	63 mm	63	48.3	13

Pressure gauge, Series PG1-SNL

1827231018

General series information
Series PG1 Pressure gauges

- With the AVENTICS Series PG1 you can visualize and rely on a clear air pressure display for each of your pneumatic circuits. In addition to the parameters for controlling the air quality, supplying sufficient pressure is the basis for operating a reliable system within machine automation. Emerson offers mechanical pressure gauges that can be integrated into machines for diverse applications and air preparation systems. The specifications of the individual versions in the universal PG1 Series provide a selection of options, such as appearance, material, or the required type of mounting.



Technical data

Industry	Industrial
Pressure gauge version	Bourdon tube pressure gauge Back port
Standardization	EN 837-1
ATEX	Suitable for ATEX
Class	1,6
Compressed air connection	G 1/8
Nominal diameter	40 mm
Scale value	0.2
Range of application min.	0 bar
Range of application max.	4 bar
Display range min.	0 bar

Display range max.	6 bar
Working pressure min.	0 bar
Working pressure max	6 bar
Min. ambient temperature	-40 °C
Max. ambient temperature	60 °C
Medium	Compressed air
Background color	Black
Main scale unit (outside)	bar
Main scale color (outside)	Green
Secondary scale unit (inside)	psi
Secondary scale color (inside)	White
Pointer color	White
Weight	0.06 kg

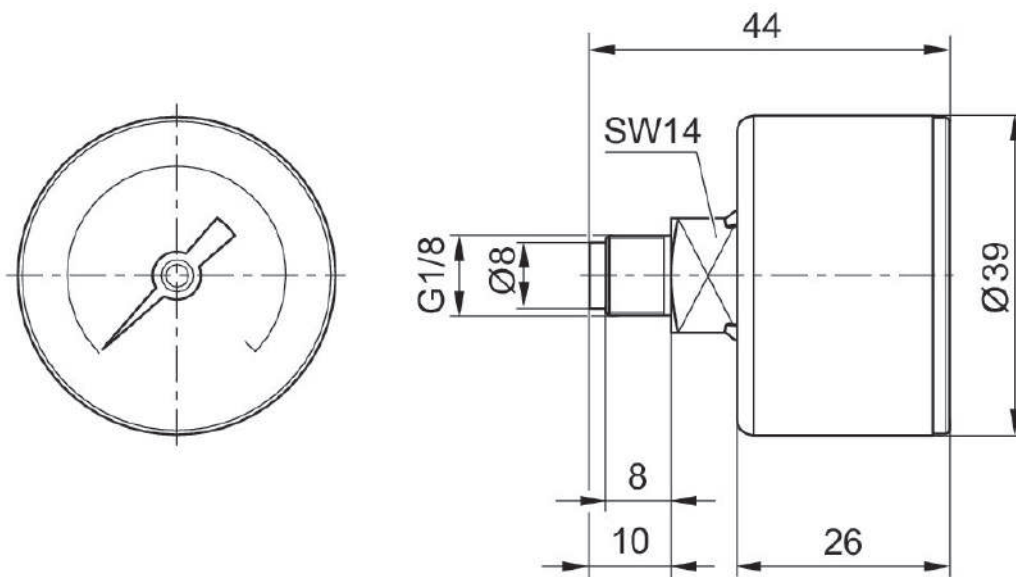
Material

Housing material	Acrylonitrile butadiene styrene
Material viewing window	Polystyrene
Material thread	Brass
Material front ring	Steel, chrome-plated
	1827231018

Technical information

Order axial seal separately

Dimensions in mm



Dimensions in mm

Part No.	Compressed air connection	Nominal diameter	Ø A	B	C	D	E	F	H
1827231018	G 1/8	40 mm	40	43	-	-	25.5	49	32

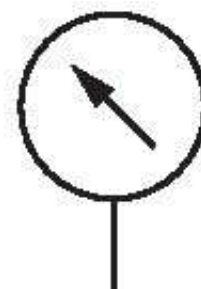
Part No.	K	L	M	SW1	SW2
1827231018	4	4	49	17	14

Pressure gauge, Series PG1-SNL

1827231023

General series information
Series PG1 Pressure gauges

- With the AVENTICS Series PG1 you can visualize and rely on a clear air pressure display for each of your pneumatic circuits. In addition to the parameters for controlling the air quality, supplying sufficient pressure is the basis for operating a reliable system within machine automation. Emerson offers mechanical pressure gauges that can be integrated into machines for diverse applications and air preparation systems. The specifications of the individual versions in the universal PG1 Series provide a selection of options, such as appearance, material, or the required type of mounting.



Technical data

Industry	Industrial
Pressure gauge version	Bourdon tube pressure gauge Back port
Standardization	EN 837-1
ATEX	Suitable for ATEX
Class	1,6
Compressed air connection	G 1/4
Nominal diameter	50 mm
Scale value	0.05
Range of application min.	0 bar
Range of application max.	1.2 bar
Display range min.	0 bar

Display range max.	1.6 bar
Working pressure min.	0 bar
Working pressure max	1.6 bar
Min. ambient temperature	-40 °C
Max. ambient temperature	60 °C
Medium	Compressed air
Background color	Black
Main scale unit (outside)	bar
Main scale color (outside)	Green
Secondary scale unit (inside)	psi
Secondary scale color (inside)	White
Pointer color	White
Weight	0.09 kg

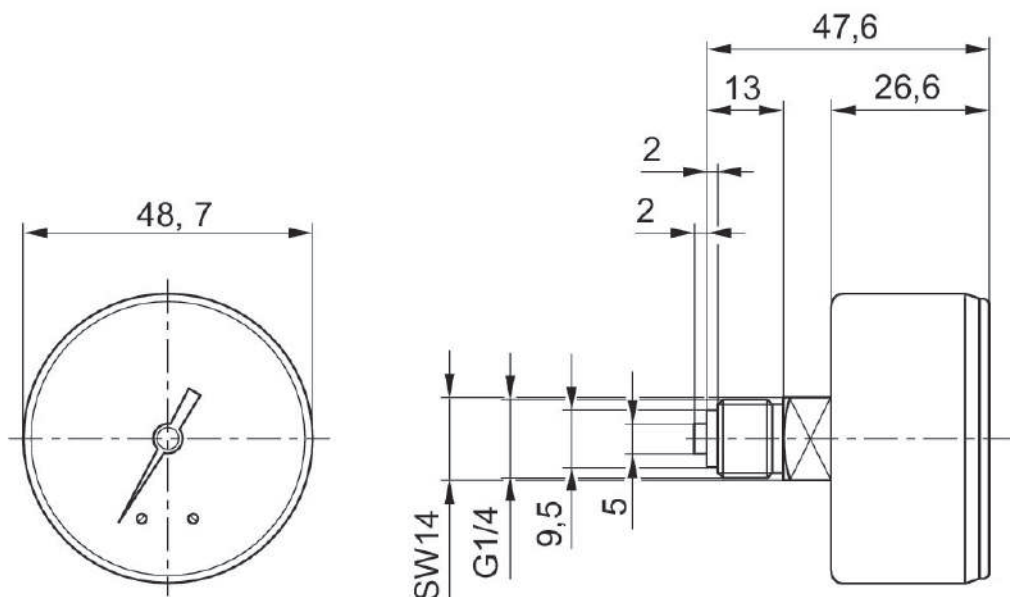
Material

Housing material	Acrylonitrile butadiene styrene
Material viewing window	Polystyrene
Material thread	Brass
Material front ring	Steel, chrome-plated 1827231023

Technical information

Order axial seal separately

Dimensions in mm



Dimensions in mm

Part No.	Compressed air connection	Nominal diameter	Ø A	B	C	D	E	F	H
1827231023	G 1/4	50 mm	50	54	5	3	29.5	51.5	34.5

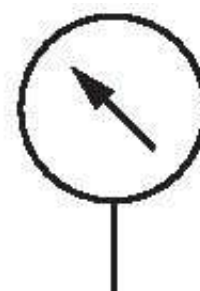
Part No.	K	L	M	SW1	SW2
1827231023	3	4.5	61	17	14

Pressure gauge, Series PG1-SNL

1827231024

General series information
Series PG1 Pressure gauges

- With the AVENTICS Series PG1 you can visualize and rely on a clear air pressure display for each of your pneumatic circuits. In addition to the parameters for controlling the air quality, supplying sufficient pressure is the basis for operating a reliable system within machine automation. Emerson offers mechanical pressure gauges that can be integrated into machines for diverse applications and air preparation systems. The specifications of the individual versions in the universal PG1 Series provide a selection of options, such as appearance, material, or the required type of mounting.



Technical data

Industry	Industrial
Pressure gauge version	Bourdon tube pressure gauge Back port
Standardization	EN 837-1
ATEX	Suitable for ATEX
Class	1,6
Compressed air connection	G 1/8
Nominal diameter	40 mm
Scale value	0.5
Range of application min.	0 bar
Range of application max.	8 bar
Display range min.	0 bar

Display range max.	10 bar
Working pressure min.	0 bar
Working pressure max	10 bar
Min. ambient temperature	-40 °C
Max. ambient temperature	60 °C
Medium	Compressed air
Background color	Black
Main scale unit (outside)	bar
Main scale color (outside)	Green
Secondary scale unit (inside)	psi
Secondary scale color (inside)	White
Pointer color	White
Weight	0.06 kg

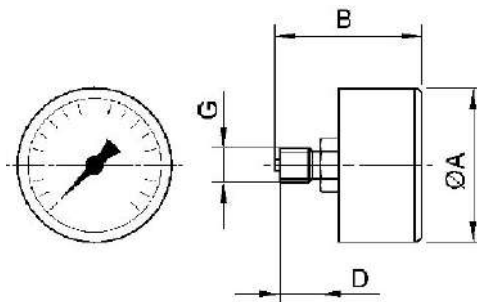
Material

Housing material	Acrylonitrile butadiene styrene
Material viewing window	Polystyrene
Material thread	Brass
	1827231024

Technical information

Order axial seal separately

Dimensions



Dimensions in mm

Part No.	G	Nominal diameter	Ø A	B	D
1827231053	G 1/8	40 mm	39	44	10
1827231048	G 1/8	40 mm	39	44	10
1827231024	G 1/8	40 mm	39	44	10
1827231009	G 1/4	40 mm	39	44	10
1827231057	G 1/4	40 mm	41	41.5	10

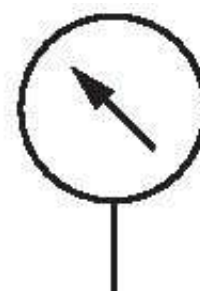
Part No.	G	Nominal diameter	Ø A	B	D
1827231047	G 1/4	40 mm	41	41.5	10
1827231059	G 1/4	40 mm	41	41.5	10
1827231060	G 1/4	40 mm	41	41.5	10
1827231054	G 1/4	40 mm	49	47.5	13
1827231023	G 1/4	50 mm	49	47.5	13
1827231012	G 1/4	50 mm	49	47.5	13
1827231016	G 1/4	50 mm	49	47.5	13
1827231015	G 1/4	50 mm	49	47.5	13
1827231010	G 1/4	50 mm	49	47.5	13
1827231055	G 1/4	60 mm	63	48.3	13
1827231011	G 1/4	63 mm	63	48.3	13

Pressure gauge, Series PG1-SNL

1827231047

General series information
Series PG1 Pressure gauges

- With the AVENTICS Series PG1 you can visualize and rely on a clear air pressure display for each of your pneumatic circuits. In addition to the parameters for controlling the air quality, supplying sufficient pressure is the basis for operating a reliable system within machine automation. Emerson offers mechanical pressure gauges that can be integrated into machines for diverse applications and air preparation systems. The specifications of the individual versions in the universal PG1 Series provide a selection of options, such as appearance, material, or the required type of mounting.



Technical data

Industry	Industrial
Pressure gauge version	Bourdon tube pressure gauge Back port
Standardization	EN 837-1
ATEX	Suitable for ATEX
Class	1,6
Compressed air connection	G 1/4
Nominal diameter	40 mm
Scale value	0.5
Range of application min.	0 bar
Range of application max.	10 bar
Display range min.	0 bar

Display range max.	16 bar
Working pressure min.	0 bar
Working pressure max	16 bar
Min. ambient temperature	-40 °C
Max. ambient temperature	60 °C
Medium	Compressed air
Background color	Black
Main scale unit (outside)	bar
Main scale color (outside)	Green
Secondary scale unit (inside)	psi
Secondary scale color (inside)	White
Pointer color	White
Weight	0.06 kg

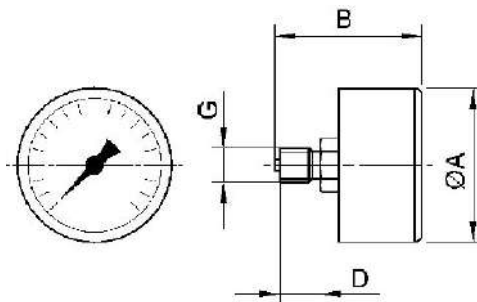
Material

Housing material	Acrylonitrile butadiene styrene
Material viewing window	Polystyrene
Material thread	Brass
	1827231047

Technical information

Order axial seal separately

Dimensions



Dimensions in mm

Part No.	G	Nominal diameter	Ø A	B	D
1827231053	G 1/8	40 mm	39	44	10
1827231048	G 1/8	40 mm	39	44	10
1827231024	G 1/8	40 mm	39	44	10
1827231009	G 1/4	40 mm	39	44	10
1827231057	G 1/4	40 mm	41	41.5	10

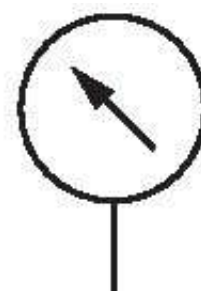
Part No.	G	Nominal diameter	Ø A	B	D
1827231047	G 1/4	40 mm	41	41.5	10
1827231059	G 1/4	40 mm	41	41.5	10
1827231060	G 1/4	40 mm	41	41.5	10
1827231054	G 1/4	40 mm	49	47.5	13
1827231023	G 1/4	50 mm	49	47.5	13
1827231012	G 1/4	50 mm	49	47.5	13
1827231016	G 1/4	50 mm	49	47.5	13
1827231015	G 1/4	50 mm	49	47.5	13
1827231010	G 1/4	50 mm	49	47.5	13
1827231055	G 1/4	60 mm	63	48.3	13
1827231011	G 1/4	63 mm	63	48.3	13

Pressure gauge, Series PG1-SNL

1827231048

General series information
Series PG1 Pressure gauges

- With the AVENTICS Series PG1 you can visualize and rely on a clear air pressure display for each of your pneumatic circuits. In addition to the parameters for controlling the air quality, supplying sufficient pressure is the basis for operating a reliable system within machine automation. Emerson offers mechanical pressure gauges that can be integrated into machines for diverse applications and air preparation systems. The specifications of the individual versions in the universal PG1 Series provide a selection of options, such as appearance, material, or the required type of mounting.



Technical data

Industry	Industrial
Pressure gauge version	Bourdon tube pressure gauge Back port
Standardization	EN 837-1
ATEX	Suitable for ATEX
Class	1,6
Compressed air connection	G 1/8
Nominal diameter	40 mm
Scale value	0.1
Range of application min.	0 bar
Range of application max.	1.7 bar
Display range min.	0 bar

Display range max.	2.5 bar
Working pressure min.	0 bar
Working pressure max	2.5 bar
Min. ambient temperature	-40 °C
Max. ambient temperature	60 °C
Medium	Compressed air
Background color	Black
Main scale unit (outside)	bar
Main scale color (outside)	Green
Secondary scale unit (inside)	psi
Secondary scale color (inside)	White
Pointer color	White
Weight	0.06 kg

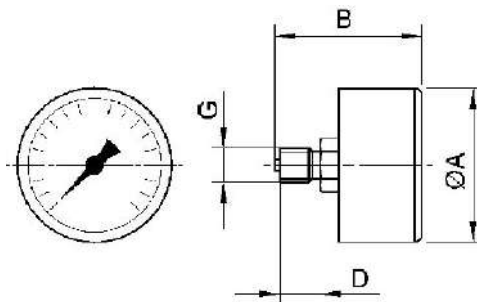
Material

Housing material	Acrylonitrile butadiene styrene
Material viewing window	Polystyrene
Material thread	Brass
	1827231048

Technical information

Order axial seal separately

Dimensions



Dimensions in mm

Part No.	G	Nominal diameter	Ø A	B	D
1827231053	G 1/8	40 mm	39	44	10
1827231048	G 1/8	40 mm	39	44	10
1827231024	G 1/8	40 mm	39	44	10
1827231009	G 1/4	40 mm	39	44	10
1827231057	G 1/4	40 mm	41	41.5	10

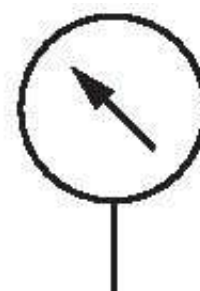
Part No.	G	Nominal diameter	Ø A	B	D
1827231047	G 1/4	40 mm	41	41.5	10
1827231059	G 1/4	40 mm	41	41.5	10
1827231060	G 1/4	40 mm	41	41.5	10
1827231054	G 1/4	40 mm	49	47.5	13
1827231023	G 1/4	50 mm	49	47.5	13
1827231012	G 1/4	50 mm	49	47.5	13
1827231016	G 1/4	50 mm	49	47.5	13
1827231015	G 1/4	50 mm	49	47.5	13
1827231010	G 1/4	50 mm	49	47.5	13
1827231055	G 1/4	60 mm	63	48.3	13
1827231011	G 1/4	63 mm	63	48.3	13

Pressure gauge, Series PG1-SNL

1827231059

General series information
Series PG1 Pressure gauges

- With the AVENTICS Series PG1 you can visualize and rely on a clear air pressure display for each of your pneumatic circuits. In addition to the parameters for controlling the air quality, supplying sufficient pressure is the basis for operating a reliable system within machine automation. Emerson offers mechanical pressure gauges that can be integrated into machines for diverse applications and air preparation systems. The specifications of the individual versions in the universal PG1 Series provide a selection of options, such as appearance, material, or the required type of mounting.



Technical data

Industry	Industrial
Pressure gauge version	Bourdon tube pressure gauge Back port
Standardization	EN 837-1
ATEX	Suitable for ATEX
Class	1,6
Compressed air connection	G 1/4
Nominal diameter	40 mm
Scale value	0.2
Range of application min.	0 bar
Range of application max.	4 bar
Display range min.	0 bar

Display range max.	6 bar
Working pressure min.	0 bar
Working pressure max	6 bar
Min. ambient temperature	-40 °C
Max. ambient temperature	60 °C
Medium	Compressed air
Background color	Black
Main scale unit (outside)	bar
Main scale color (outside)	Green
Secondary scale unit (inside)	psi
Secondary scale color (inside)	White
Pointer color	White
Weight	0.06 kg

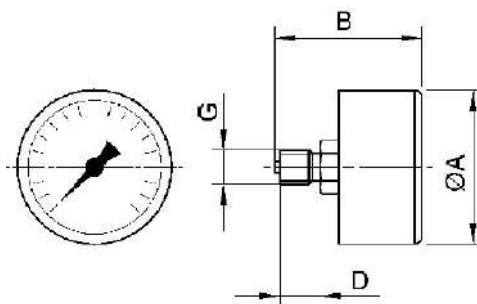
Material

Housing material	Acrylonitrile butadiene styrene
Material viewing window	Polystyrene
Material thread	Brass
	1827231059

Technical information

Order axial seal separately

Dimensions



Dimensions in mm

Part No.	G	Nominal diameter	Ø A	B	D
1827231053	G 1/8	40 mm	39	44	10
1827231048	G 1/8	40 mm	39	44	10
1827231024	G 1/8	40 mm	39	44	10
1827231009	G 1/4	40 mm	39	44	10
1827231057	G 1/4	40 mm	41	41.5	10

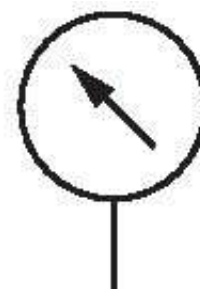
Part No.	G	Nominal diameter	Ø A	B	D
1827231047	G 1/4	40 mm	41	41.5	10
1827231059	G 1/4	40 mm	41	41.5	10
1827231060	G 1/4	40 mm	41	41.5	10
1827231054	G 1/4	40 mm	49	47.5	13
1827231023	G 1/4	50 mm	49	47.5	13
1827231012	G 1/4	50 mm	49	47.5	13
1827231016	G 1/4	50 mm	49	47.5	13
1827231015	G 1/4	50 mm	49	47.5	13
1827231010	G 1/4	50 mm	49	47.5	13
1827231055	G 1/4	60 mm	63	48.3	13
1827231011	G 1/4	63 mm	63	48.3	13

Pressure gauge, Series PG1-SNL

1827231060

General series information
Series PG1 Pressure gauges

- With the AVENTICS Series PG1 you can visualize and rely on a clear air pressure display for each of your pneumatic circuits. In addition to the parameters for controlling the air quality, supplying sufficient pressure is the basis for operating a reliable system within machine automation. Emerson offers mechanical pressure gauges that can be integrated into machines for diverse applications and air preparation systems. The specifications of the individual versions in the universal PG1 Series provide a selection of options, such as appearance, material, or the required type of mounting.



Technical data

Industry	Industrial
Pressure gauge version	Bourdon tube pressure gauge Back port
Standardization	EN 837-1
ATEX	Suitable for ATEX
Class	1,6
Compressed air connection	G 1/4
Nominal diameter	40 mm
Scale value	0.5
Range of application min.	0 bar
Range of application max.	8 bar
Display range min.	0 bar

Display range max.	10 bar
Working pressure min.	0 bar
Working pressure max	10 bar
Min. ambient temperature	-40 °C
Max. ambient temperature	60 °C
Medium	Compressed air
Background color	Black
Main scale unit (outside)	bar
Main scale color (outside)	Green
Secondary scale unit (inside)	psi
Secondary scale color (inside)	White
Pointer color	White
Weight	0.06 kg

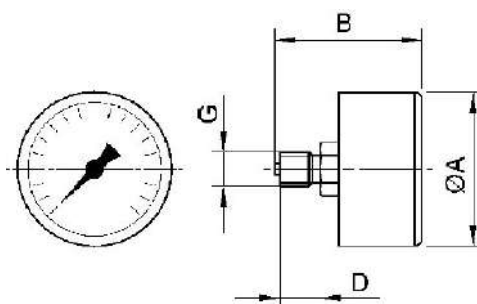
Material

Housing material	Acrylonitrile butadiene styrene
Material viewing window	Polystyrene
Material thread	Brass
	1827231060

Technical information

Order axial seal separately

Dimensions



Dimensions in mm

Part No.	G	Nominal diameter	Ø A	B	D
1827231053	G 1/8	40 mm	39	44	10
1827231048	G 1/8	40 mm	39	44	10
1827231024	G 1/8	40 mm	39	44	10
1827231009	G 1/4	40 mm	39	44	10
1827231057	G 1/4	40 mm	41	41.5	10

Part No.	G	Nominal diameter	Ø A	B	D
1827231047	G 1/4	40 mm	41	41.5	10
1827231059	G 1/4	40 mm	41	41.5	10
1827231060	G 1/4	40 mm	41	41.5	10
1827231054	G 1/4	40 mm	49	47.5	13
1827231023	G 1/4	50 mm	49	47.5	13
1827231012	G 1/4	50 mm	49	47.5	13
1827231016	G 1/4	50 mm	49	47.5	13
1827231015	G 1/4	50 mm	49	47.5	13
1827231010	G 1/4	50 mm	49	47.5	13
1827231055	G 1/4	60 mm	63	48.3	13
1827231011	G 1/4	63 mm	63	48.3	13