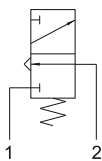


304 MB

3/2 NC raccordi automatici per tubo $\varnothing 4$ (sotto),
interfaccia per attuatore da pannello

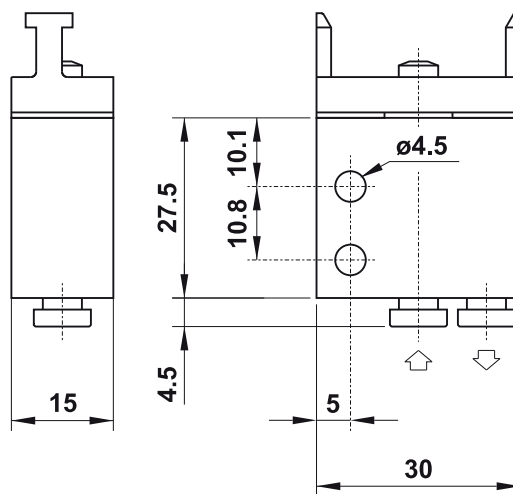
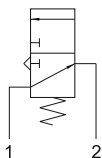
3/2 NC push-in fittings for $\varnothing 4$ tube (ports on the bottom),
actuator adaptor for panel mounting



314 MB

3/2 NA raccordi automatici per tubo $\varnothing 4$ (sotto),
interfaccia per attuatore da pannello

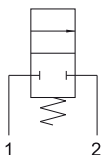
3/2 NO push-in fittings for $\varnothing 4$ tube (ports on the bottom),
actuator adaptor for panel mounting



204 MB

2/2 NC raccordi automatici per tubo $\varnothing 4$ (sotto),
interfaccia per attuatore da pannello

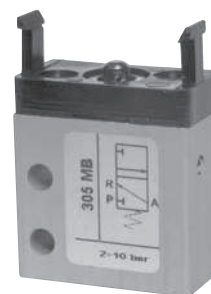
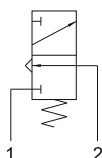
2/2 NC push-in fittings for $\varnothing 4$ tube (ports on the bottom),
actuator adaptor for panel mounting



305 MB

3/2 NC attacchi filettati M5 (sotto),
interfaccia per attuatore da pannello

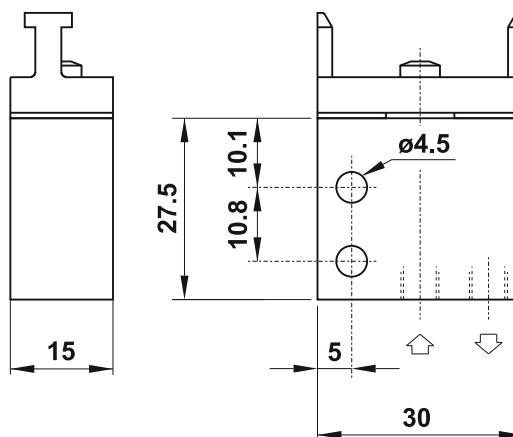
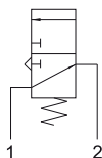
3/2 NC M5 threaded ports (on the bottom),
actuator adaptor for panel mounting



315 MB

3/2 NA attacchi filettati M5 (sotto),
interfaccia per attuatore da pannello

3/2 NO M5 threaded ports (on the bottom),
actuator adaptor for panel mounting



205 MB

2/2 NC attacchi filettati M5 (sotto),
interfaccia per attuatore da pannello

2/2 NC M5 threaded ports (on the bottom),
actuator adaptor for panel mounting

