




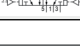
5/2-directional valve, Series TC15

- Qn = 1500 l/min
- Compressed air connection output G 1/4
- Pipe connection



Version	Spool valve, positive overlapping
Activation	Pneumatically
Pilot	external
Sealing principle	Soft sealing
Flow rate value Qn	1500 l/min
Working pressure min./max.	See table below
Control pressure min./max.	See table below
Ambient temperature min./max.	-10 ... 50 °C
Medium temperature min./max.	-10 ... 50 °C
Medium	Compressed air
Max. particle size	5 µm
Oil content of compressed air	0 ... 5 mg/m ³
Mounting on manifold strip	P-strip
Mounting screw tightening torque	2,5 Nm
Weight	0,188 kg

Technical data

Part No.		Compressed air connection	
		Input	Output
0820258001		G 1/4	G 1/4
0820258002		G 1/4	G 1/4
0820258003		G 1/4	G 1/4
0820258004		G 1/4	G 1/4

Part No.	Compressed air connection		Flow conductance b
	Exhaust	Pilot control exhaust	
0820258001	G 1/4	M5	0,33
0820258002	G 1/4	M5	0,33
0820258003	G 1/4	M5	0,33
0820258004	G 1/4	M5	0,33

Part No.	Flow conductance C-value		Working pressure min./max.	Control pressure min./max.
0820258001	6,8 l/(s*bar)		2,5 ... 10 bar	2,5 ... 10 bar
0820258002	6,8 l/(s*bar)		-0,9 ... 10 bar	3 ... 10 bar
0820258003	6,8 l/(s*bar)		-0,9 ... 10 bar	2 ... 10 bar
0820258004	6,8 l/(s*bar)		-0,9 ... 10 bar	2,5 ... 10 bar

Caution: The minimum control pressure depends on the working pressure (see "Control pressure" diagram below).

Technical information

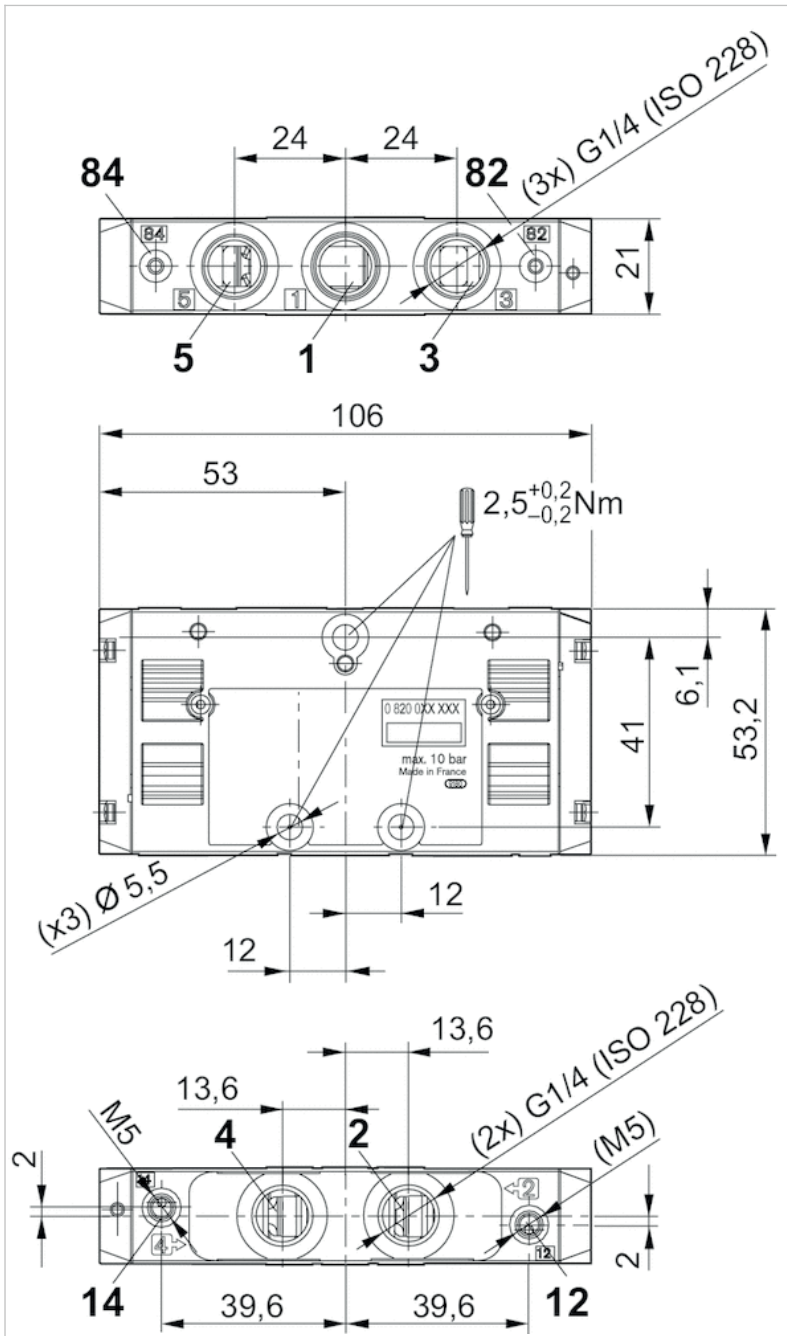
The min. control pressure must be adhered to, since otherwise faulty switching and valve failure may result!
The pressure dew point must be at least 15 °C under ambient and medium temperature and may not exceed 3 °C .
The oil content of compressed air must remain constant during the life cycle.
Use only the approved oils from AVENTICS. Further information can be found in the "Technical information" document (available in the MediaCentre).

Technical information

Material	
Housing	Polyamide, fiber-glass reinforced
Seals	Acrylonitrile butadiene rubber
Front plate	Polyamide, fiber-glass reinforced
Threaded bushing	Brass Die cast zinc, chrome-plated nickel-plated

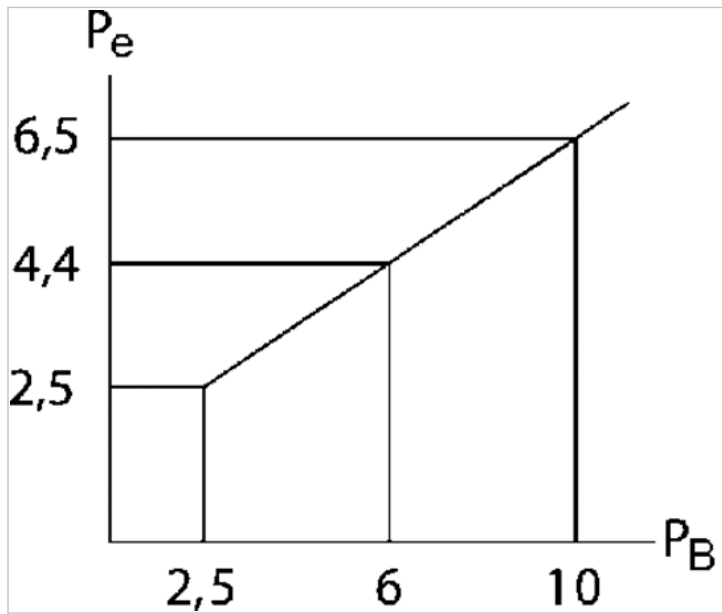
Dimensions

Dimensions



Diagrams

Control pressure



Pe = external control pressure, min.

P= Working pressure

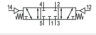
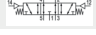

5/3-directional valve, Series TC15

- Qn = 1300 l/min
- Compressed air connection output G 1/4
- Pipe connection



Version	Spool valve, positive overlapping
Activation	Pneumatically
Pilot	external
Sealing principle	Soft sealing
Flow rate value Qn	1300 l/min
Working pressure min./max.	-0,9 ... 10 bar
Control pressure min./max.	3 ... 10 bar
Ambient temperature min./max.	-10 ... 50 °C
Medium temperature min./max.	-10 ... 50 °C
Medium	Compressed air
Max. particle size	5 µm
Oil content of compressed air	0 ... 5 mg/m ³
Mounting on manifold strip	P-strip
Mounting screw tightening torque	2,5 Nm
Weight	0,203 kg

Technical data

Part No.			Compressed air connection	
				Input
0820259001		closed center		G 1/4
0820259002		exhausted center		G 1/4
0820259003		pressurized center		G 1/4

Part No.	Compressed air connection		Compressed air connection	
	Output		Exhaust	
0820259001	G 1/4		G 1/4	
0820259002	G 1/4		G 1/4	
0820259003	G 1/4		G 1/4	

Part No.	Compressed air connection		Flow conductance	Flow conductance
	Pilot control exhaust		b	C-value
0820259001	M5		0,31	5,9 l/(s*bar)
0820259002	M5		0,31	5,9 l/(s*bar)
0820259003	M5		0,31	5,9 l/(s*bar)

Technical information

The min. control pressure must be adhered to, since otherwise faulty switching and valve failure may result!

The pressure dew point must be at least 15 °C under ambient and medium temperature and may not exceed 3 °C .

The oil content of compressed air must remain constant during the life cycle.

Use only the approved oils from AVENTICS. Further information can be found in the "Technical information" document (available in the MediaCentre).

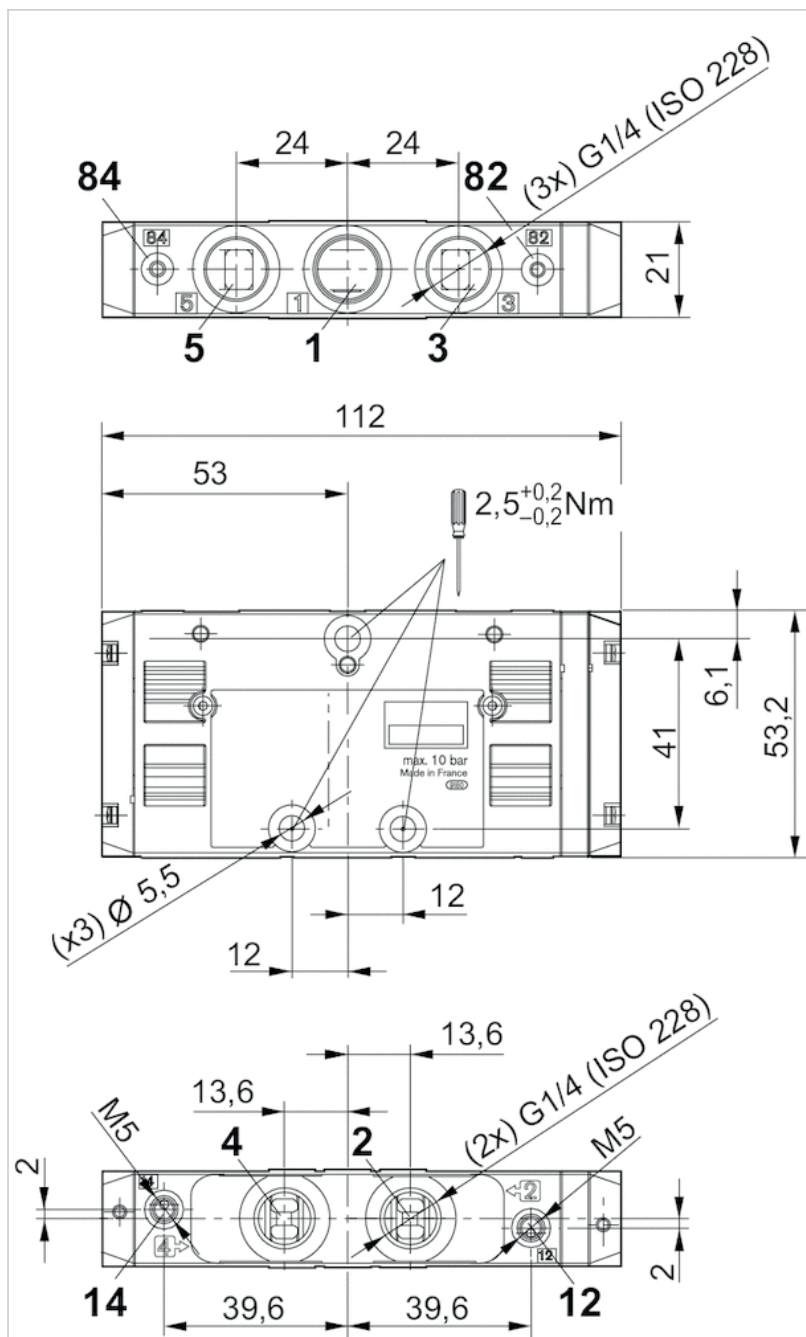
Technical information

Material

Housing	Polyamide, fiber-glass reinforced
Seals	Acrylonitrile butadiene rubber
Front plate	Polyamide, fiber-glass reinforced
Threaded bushing	Brass Die cast zinc, chrome-plated nickel-plated

Dimensions

Dimensions



Diagrams

