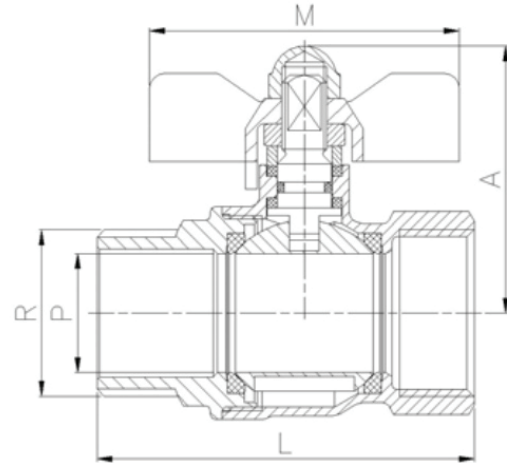


T-HANDLE GAS BALL VALVE- MALE/FEMALE THREADS

BALL STRAIGHT VALVE FOR GAS, F-F. BUTTERFLY HANDLE

www.pneumatics.ie



Dimensions

Product code	Size R	DN mm	P mm	A mm	L mm	M mm	Weight (kg)
BVT14MF	1/4"	10	10	38	48	50	0.100
BVT38MF	3/8"	10	10	38	49	50	0.105
BVT12MF	1/2"	15	14	40	56	50	0.150
BVT34MF	3/4"	20	19	50	64	62	0.250
BVT1MF	1"	25	24	53	76	62	0.380