

microvalvole

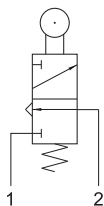
microvalves



304 MR

3/2 NC raccordi automatici per tubo $\varnothing 4$ (sotto),
leva rullo

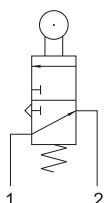
3/2 NC push-in fittings for $\varnothing 4$ tube (ports on the bottom),
roller lever



314 MR

3/2 NA raccordi automatici per tubo $\varnothing 4$ (sotto),
leva rullo

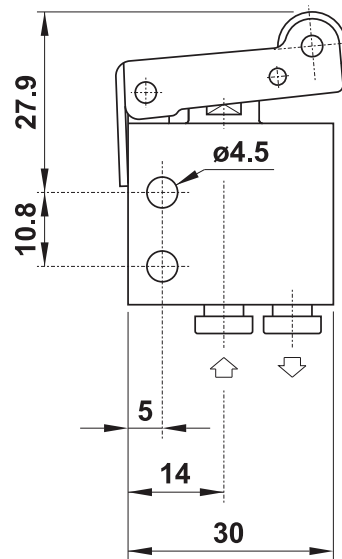
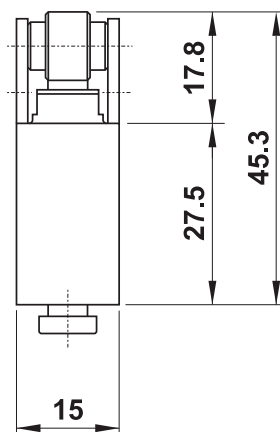
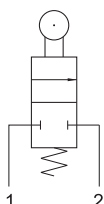
3/2 NO push-in fittings for $\varnothing 4$ tube (ports on the bottom),
roller lever



204 MR

2/2 NC raccordi automatici per tubo $\varnothing 4$ (sotto),
leva rullo

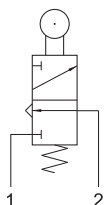
2/2 NC push-in fittings for $\varnothing 4$ tube (ports on the bottom),
roller lever



305 MR

3/2 NC attacchi filettati M5 (sotto),
leva rullo

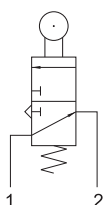
3/2 NC M5 threaded ports (on the bottom),
roller lever



315 MR

3/2 NA attacchi filettati M5 (sotto),
leva rullo

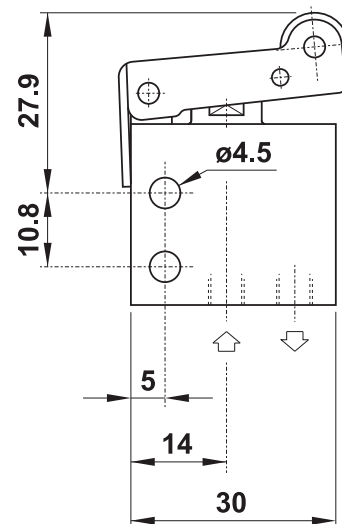
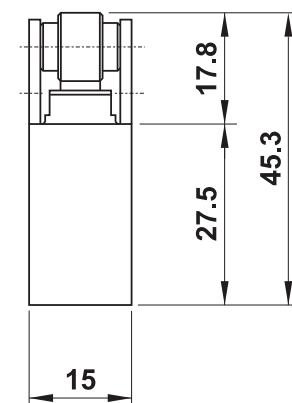
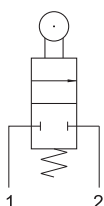
3/2 NO M5 threaded ports (on the bottom),
roller lever



205 MR

2/2 NC attacchi filettati M5 (sotto),
leva rullo

2/2 NC M5 threaded ports (on the bottom),
roller lever



1

1