

Clevis mounting, Series AB3

- Suitable piston \varnothing 20 25 mm



The delivered product may vary from that in the illustration.

Technical data

Part No.	Piston \varnothing	Hole \varnothing	Housing material	Surface	Fig.
1827001447	8 10 mm	4 mm	Steel	galvanized	Fig. 1
1827001446	12 16 mm	6 mm	Steel	galvanized	Fig. 1
1827001445	20 25 mm	8 mm	Steel	galvanized	Fig. 1
3323410000	8 10 mm	4 mm	Stainless steel	-	Fig. 1
3323416000	12 16 mm	6 mm	Stainless steel	-	Fig. 2
3323420000	20 25 mm	8 mm	Stainless steel	-	Fig. 2
3323432000	32 mm	10 mm	Stainless steel	-	Fig. 1

Technical information

Material	
Material	Steel Stainless steel galvanized

Dimensions

Fig. 1

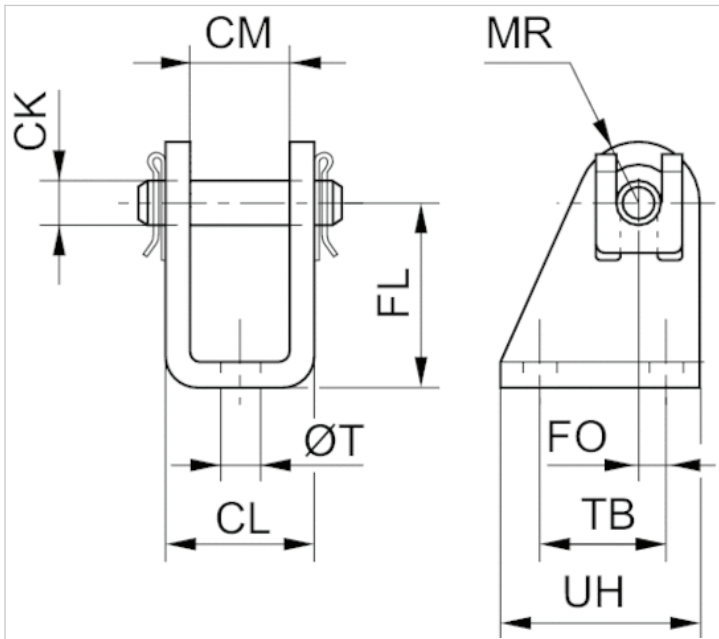
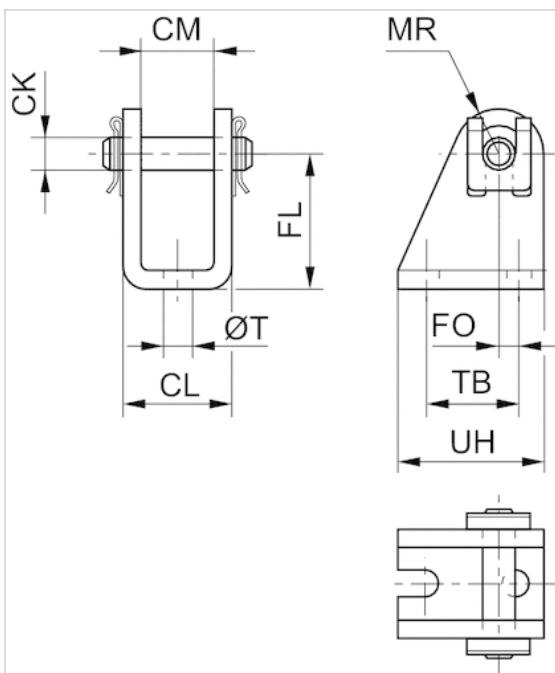


Fig. 2



Dimensions

Part No.	Piston Ø	CM	Ø CK	CL	FL	FO	MR	Ø T	TB	UH	Fig.
1827001447	8 10 mm	8,1	4	13,1	24	1,5	5	4,5	12,5	20	Fig. 1
1827001446	12 16 mm	12,1	6	18,1	27	2,0	7	5,5	15	25	Fig. 1
1827001445	20 25 mm	16,1	8	24,1	30	4,0	10	6,6	20	32	Fig. 1
3323410000	8 10 mm	8	4	13	24	1,5	5	4,5	12	20	Fig. 1
3323416000	12 16 mm	12	6	18	27	2,0	7	5,5	15	25	Fig. 2
3323420000	20 25 mm	16	8	24	30	4,0	10	6,6	22	34	Fig. 2