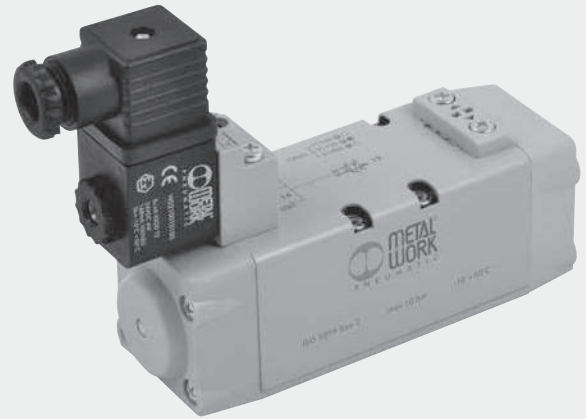
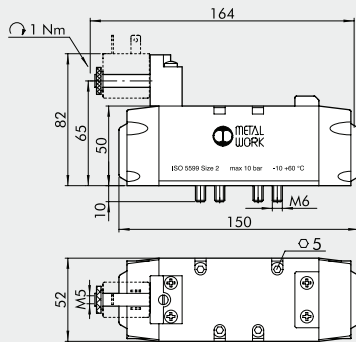


VALVES ISO 5599/1, SOLENOID/PNEUMATIC, SERIES ISV

TECHNICAL DATA		ISO 1	ISO 2	ISO 3
Operating pressure:	bar			
• monostable and bistable differential			2.5 to 10	
• bistable			1 to 10	
• pilot-assisted			Vacuum to 10	
Minimum pilot pressure	bar		2.5	
Operating temperature range	°C		-10 to +60	
Nominal diameter	mm	7.5	12	15
Conductance C	NI/min · bar	250	657.14	971.43
Critical ratio b	bar/bar	0.36	0.25	0.43
Flow rate at 6 bar ΔP 0.5 bar	NI/min	700	1800	3200
Flow rate at 6 bar ΔP 1 bar	NI/min	1100	2700	4600
TRA / TRR monostable at 6 bar	ms	24 / 50	39 / 60	50 / 120
TRA / TRR bistable at 6 bar	ms	20 / 20	25 / 25	35 / 35
Solenoid pilot		Standards CNOMO		
Manual		Bistable on solenoid pilot Monostable on valve body		
Coils		30 mm side DIN 43650 Form A – ISO 22 mm side		
Maximum coil nut torque	Nm		1	

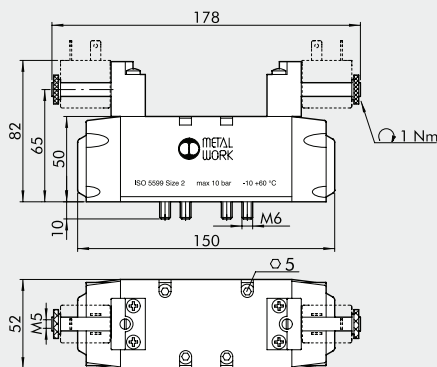


MONOSTABLE 5/2 ISO 2



Symbol	Code	Abbrev.	Weight [g]
	7052021100	ISV 65 SOS OO	715
	7052021400	ISV 65 SES OO	715

BISTABLE 5/2 ISO 2 - MONOSTABLE 5/3 ISO 2



Symbol	Code	Abbrev.	Weight [g]
	7052021200	ISV 65 SOB OO	740
	7052021300	ISV 65 SOD OO	710
	7052022100	ISV 66 SOS CC	720
	7052022200	ISV 66 SOS OC	720
	7052022300	ISV 66 SOS PC	720
	7052021500	ISV 65 SEB OO	740
	7052021600	ISV 65 SED OO	710
	7052022400	ISV 66 SES CC	720
	7052022500	ISV 66 SES OC	720
	7052022600	ISV 66 SES PC	720