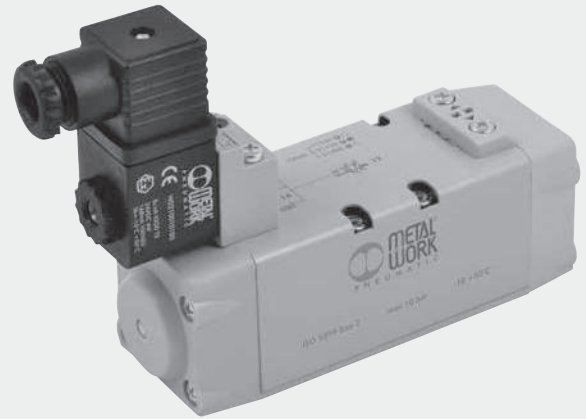
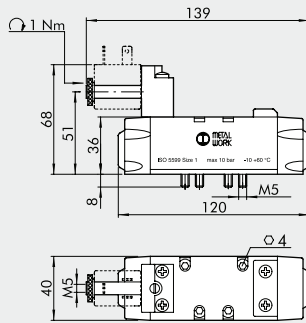


# VALVES ISO 5599/1, SOLENOID/PNEUMATIC, SERIES ISV

TECHNICAL DATA		ISO 1	ISO 2	ISO 3
Operating pressure:	bar			
• monostable and bistable differential			2.5 to 10	
• bistable			1 to 10	
• pilot-assisted			Vacuum to 10	
Minimum pilot pressure	bar		2.5	
Operating temperature range	°C		-10 to +60	
Nominal diameter	mm	7.5	12	15
Conductance C	NI/min · bar	250	657.14	971.43
Critical ratio b	bar/bar	0.36	0.25	0.43
Flow rate at 6 bar ΔP 0.5 bar	NI/min	700	1800	3200
Flow rate at 6 bar ΔP 1 bar	NI/min	1100	2700	4600
TRA / TRR monostable at 6 bar	ms	24 / 50	39 / 60	50 / 120
TRA / TRR bistable at 6 bar	ms	20 / 20	25 / 25	35 / 35
Solenoid pilot		Standards CNOMO		
Manual		Bistable on solenoid pilot Monostable on valve body		
Coils		30 mm side DIN 43650 Form A – ISO 22 mm side		
Maximum coil nut torque	Nm		1	

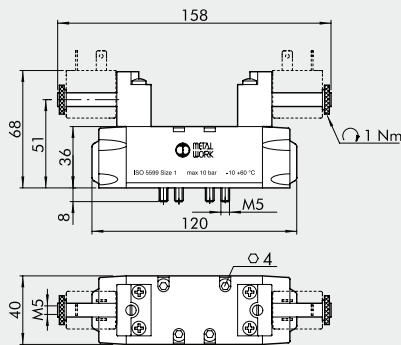


## MONOSTABLE 5/2 ISO 1



Symbol	Code	Abbrev.	Weight [g]
	7051021100	ISV 55 SOS OO	344
	7051021400	ISV 55 SES OO	344

## BISTABLE 5/2 ISO 1 - MONOSTABLE 5/3 ISO 1



Symbol	Code	Abbrev.	Weight [g]
	7051021200	ISV 55 SOB OO	388
	7051021300	ISV 55 SOD OO	375
	7051022100	ISV 56 SOS CC	372
	7051022200	ISV 56 SOS OC	372
	7051022300	ISV 56 SOS PC	372
	7051021500	ISV 55 SEB OO	388
	7051021600	ISV 55 SED OO	375
	7051022400	ISV 56 SES CC	372
	7051022500	ISV 56 SES OC	372
	7051022600	ISV 56 SES PC	372