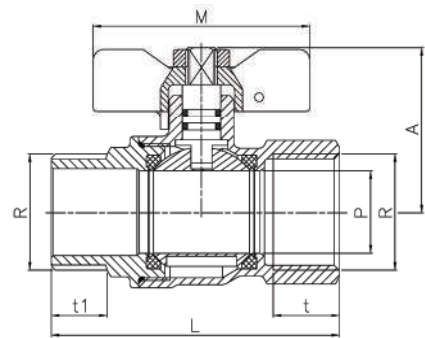
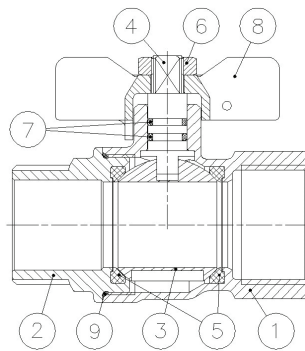


# T-HANDLE GAS BALL VALVE- FEMALE/FEMALE THREADS

BALL STRAIGHT VALVE FOR GAS, F-F. BUTTERFLY HANDLE

[www.pneumatics.ie](http://www.pneumatics.ie)



## Dimensions

Product code	Size	MOP mm	P (DN) mm	L mm	A mm	M mm	T mm	T1 mm	Wgt (kg)
GBVT12MF	1/2"	5	15	62.5	35.5	50	15.5	13.5	0.163
GBVT34MF	3/4"	5	20	69	44.5	62	16.5	14.5	0.265
GBVT1MF	1"	5	25	82.5	47	62	19.5	17.5	0.413