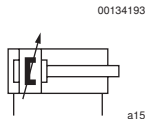


## Piston rod cylinders → Standard cylinders

**Profile cylinder, ISO 15552, Series PRA**

► Ø 32 - 125 mm ► Ports: G 1/8 - G 1/2 ► double-acting ► with magnetic piston ► cushioning: pneumatic, adjustable, elastic ► piston rod: external thread ► ATEX optional



Standards	ISO 15552
Compressed air connection	internal thread
Working pressure min./max.	1.5 bar / 10 bar
Ambient temperature min./max.	-20 °C / +80 °C
Medium temperature min./max.	-20 °C / +80 °C
Medium	Compressed air
Max. particle size	50 µm
Oil content of compressed air	0 mg/m <sup>3</sup> - 5 mg/m <sup>3</sup>
Pressure for determining piston forces	6,3 bar

## Materials:

Cylinder tube	Aluminum, anodized
Piston rod	Stainless steel
Front cover	Die-cast aluminum
End cover	Die-cast aluminum
Seal	Polyurethane
Nut for piston rod	Steel, galvanized
Scraper	Polyurethane

**Technical Remarks**

- The pressure dew point must be at least 15 °C under ambient and medium temperature and may not exceed 3 °C.
- The oil content of air pressure must remain constant during the life cycle.
- Use only the approved oils from Bosch Rexroth, see chapter „Technical information“.
- ATEX-certified cylinders can be generated in the Internet configurator.
- ATEX ID II 2G2D c T4 T135°C -20 °C ≤ Ta ≤ 60 °C
- For ATEX-certified cylinders, the temperature range specified in the header does not apply. See the ATEX ID.

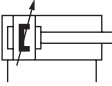
Piston Ø		[mm]	32	40	50	63	80
Retracting piston force		[N]	435	660	1035	1765	2855
Extending piston force		[N]	505	790	1235	1960	3165
Cushioning length		[mm]	11.5	15	17	16.5	19.5
Cushioning energy		[J]	4.8	9	15	27	54
Weight	0 mm stroke	[kg]	0.5	0.65	1.06	1.42	2.37
	+10 mm stroke	[kg]	0.022	0.032	0.047	0.054	0.085
Stroke max.		[mm]	1600	1900	2100	2500	2800

Piston Ø		[mm]	100	125		
Retracting piston force		[N]	4635	7220		
Extending piston force		[N]	4945	7725		
Cushioning length		[mm]	19.5	22		
Cushioning energy		[J]	88	140		
Weight	0 mm stroke	[kg]	3.51	6.72		
	+10 mm stroke	[kg]	0.1	0.15		
Stroke max.		[mm]	2800	2750		

## Piston rod cylinders → Standard cylinders

**Profile cylinder, ISO 15552, Series PRA**

► Ø 32 - 125 mm ► Ports: G 1/8 - G 1/2 ► double-acting ► with magnetic piston ► cushioning: pneumatic, adjustable, elastic ► piston rod: external thread ► ATEX optional

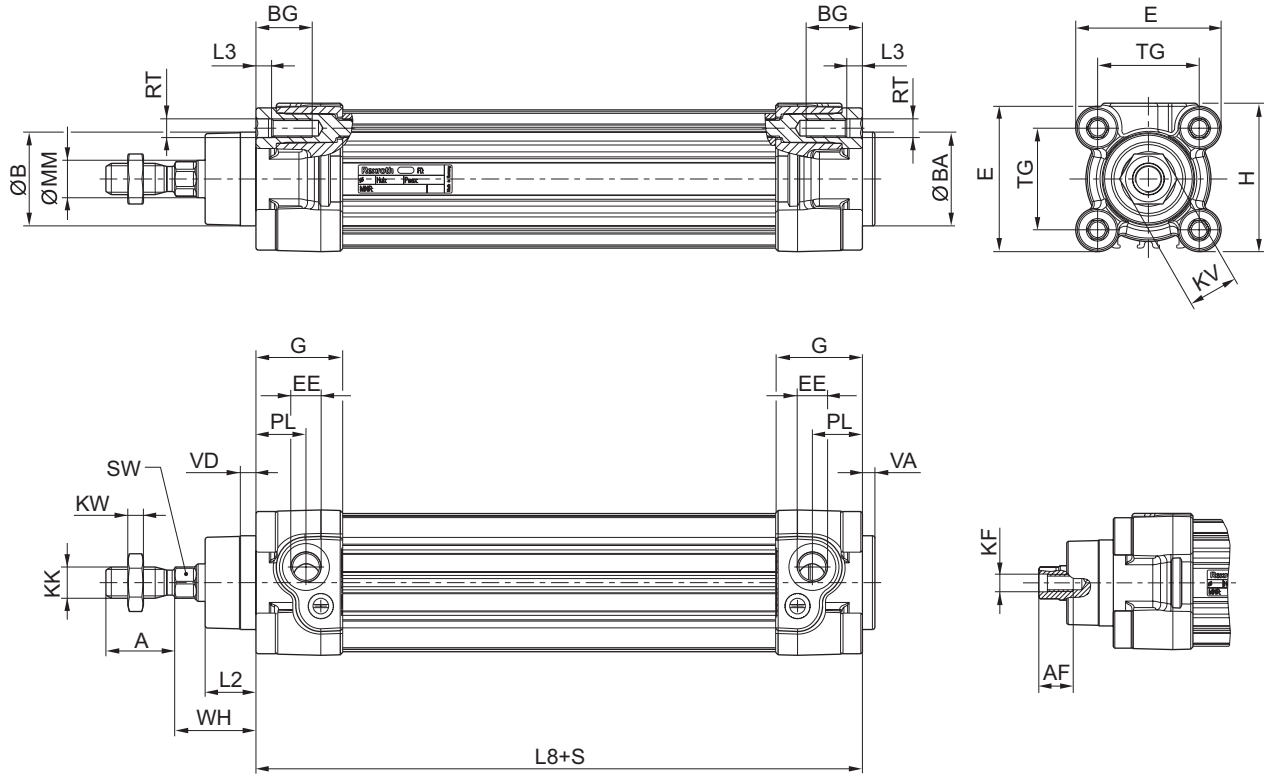
	Piston Ø Piston rod thread Ports Piston rod Ø	32 M10x1,25 G 1/8 12	40 M12x1,25 G 1/4 16	50 M16x1,5 G 1/4 20	63 M16x1,5 G 3/8 20	80 M20x1,5 G 3/8 25	
	Stroke 25	<b>0822120001</b>	<b>0822121001</b>	<b>0822122001</b>	<b>0822123001</b>	<b>0822124001</b>	
	50	<b>0822120002</b>	<b>0822121002</b>	<b>0822122002</b>	<b>0822123002</b>	<b>0822124002</b>	
	80	<b>0822120003</b>	<b>0822121003</b>	<b>0822122003</b>	<b>0822123003</b>	<b>0822124003</b>	
	100	<b>0822120004</b>	<b>0822121004</b>	<b>0822122004</b>	<b>0822123004</b>	<b>0822124004</b>	
	125	<b>0822120005</b>	<b>0822121005</b>	<b>0822122005</b>	<b>0822123005</b>	<b>0822124005</b>	
	160	<b>0822120006</b>	<b>0822121006</b>	<b>0822122006</b>	<b>0822123006</b>	<b>0822124006</b>	
	200	<b>0822120007</b>	<b>0822121007</b>	<b>0822122007</b>	<b>0822123007</b>	<b>0822124007</b>	
	250	<b>0822120008</b>	<b>0822121008</b>	<b>0822122008</b>	<b>0822123008</b>	<b>0822124008</b>	
	320	<b>0822120009</b>	<b>0822121009</b>	<b>0822122009</b>	<b>0822123009</b>	<b>0822124009</b>	
	400	<b>0822120010</b>	<b>0822121010</b>	<b>0822122010</b>	<b>0822123010</b>	<b>0822124010</b>	
	500	<b>0822120011</b>	<b>0822121011</b>	<b>0822122011</b>	<b>0822123011</b>	<b>0822124011</b>	
		Piston Ø Piston rod thread Ports Piston rod Ø	100 M20x1,5 G 1/2 25	125 M27x2 G 1/2 32			
	Stroke 25	<b>0822125001</b>	R480140491				
	50	<b>0822125002</b>	R480140455				
	80	<b>0822125003</b>	R480141371				
	100	<b>0822125004</b>	R480079499				
	125	<b>0822125005</b>	R480140083				
	160	<b>0822125006</b>	R480079809				
	200	<b>0822125007</b>	R480140833				
	250	<b>0822125008</b>	R480141106				
	320	<b>0822125009</b>	R480140759				
400	<b>0822125010</b>	R480141373					
500	<b>0822125011</b>	R480141666					

Piston rod cylinders → Standard cylinders

**Profile cylinder, ISO 15552, Series PRA**

► Ø 32 - 125 mm ► Ports: G 1/8 - G 1/2 ► double-acting ► with magnetic piston ► cushioning: pneumatic, adjustable, elastic ► piston rod: external thread ► ATEX optional

**Dimensions**



00134208\_a

S = stroke

Piston Ø	A -2	AF+1	ØB d11	ØBA d11	BG min.	E	EE	G	H	KF	KK
32	22	12	30	30	16	46.5	G 1/8	27.75	47.5	M6	M10x1,25
40	24	13.5	35	35	16	53	G 1/4	33.25	53	M8	M12x1,25
50	32	17	40	40	16	65	G 1/4	31	65	M10	M16x1,5
63	32	17	45	45	16	75	G 3/8	38.25	75	M10	M16x1,5
80	40	21	45	45	17	95	G 3/8	38.25	95	M12	M20x1,5
100	40	21	55	55	17	115	G 1/2	42.25	115	M12	M20x1,5
125	54	28	60	60	20	140	G 1/2	53.85	140	M16	M27x2

Piston Ø	KV	KW	ØMM f8	PL	L2	L3 ±0,5	L8	RT	SW	TG	VA -1	VD
32	16	5	12	16	16.25	4.5	94±0,4	M6	10	32,5±0,5	4	5
40	18	6	16	20	18.25	4.5	105±0,7	M6	13	38±0,5	4	5
50	24	8	20	19	25	4.5	106±0,7	M8	17	46,5±0,6	4	5
63	24	8	20	24	25	4.5	121±0,8	M8	17	56,5±0,7	4	5
80	30	10	25	23.5	33	0	128±0,8	M10	22	72±0,7	4	5
100	30	10	25	25	36	0	138±1	M10	22	89±0,7	4	5
125	41	13.5	32	33	45	0	160±1	M12	27	110±1,1	6	7

Piston Ø	WH											
32	26±1,4											
40	30±1,4											
50	37±1,4											
63	37±1,8											
80	46±1,8											
100	51±1,8											

Part numbers marked in bold are available from the central warehouse in Germany, see the shopping basket for detailed information Pneumatics catalog, online PDF, as of 2010-03-12, © Bosch Rexroth AG, subject to change

**Piston rod cylinders → Standard cylinders**


---

**Profile cylinder, ISO 15552, Series PRA**

▶ Ø 32 - 125 mm ▶ Ports: G 1/8 - G 1/2 ▶ double-acting ▶ with magnetic piston ▶ cushioning: pneumatic, adjustable, elastic ▶ piston rod: external thread ▶ ATEX optional

---

Piston Ø	WH												
125	65±2,2												

---