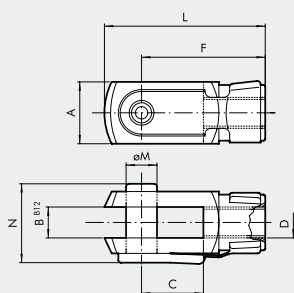


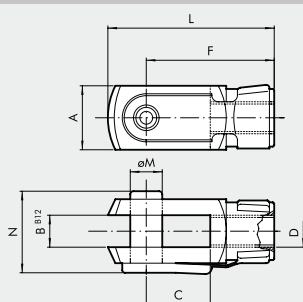
## FORK MODEL GK-M



Code	Ø	øM	C	B	A	L	F	D	N	Weight [g]
W0950080020	8	4	8	4	8	21	16	M4	11	8
W0950080020	10	4	8	4	8	21	16	M4	11	8
W0950120020	12	6	12	6	12	31	24	M6	16	20
W0950120020	16	6	12	6	12	31	24	M6	16	20
W0950200020	20	8	16	8	16	42	32	M8	22	48
W0950322020	25	10	20	10	20	52	40	M10x1.25	26	92

Note: Individually packed

## FORK MODEL GK-M



Code	Ø	øM	C	B	A	L	F	D	N	Weight [g]
W0950322020	32	10	20	10	20	52	40	M10x1.25	26	92
W0950402020	40	12	24	12	24	62	48	M12x1.25	32	148
W0950502020	50	16	32	16	32	83	64	M16x1.5	40	340
W0950502020	63	16	32	16	32	83	64	M16x1.5	40	340
W0950802020	80	20	40	20	40	105	80	M20x1.5	48	690
W0950802020	100	20	40	20	40	105	80	M20x1.5	48	690
W0951252020	125	30	54	30	55	148	110	M27x2	65	1835

Note: Ø32=100 Supplied complete with 1 pin and 1 clip; Ø125 Supplied complete with 1 pin and 2 seeger

