

QUICK EXHAUST VALVE SERIES VSR

New, more compact and lighter version.

Used to evacuate air in the cylinder quickly, which increases cylinder speed.

- Temperature 0-80°C (32°-176°F)
- Max. pressure 12 bar (1200 KPa)
- Min. pressure 0.5 bar (50 KPa)

Nominal flow rate (P → A) $\Delta P = 1$ bar [Nl/min]:

Pm [bar]	1/8	1/4	1/2
2.5	550	800	2400
4	700	1200	2800
6.3	900	1400	3600

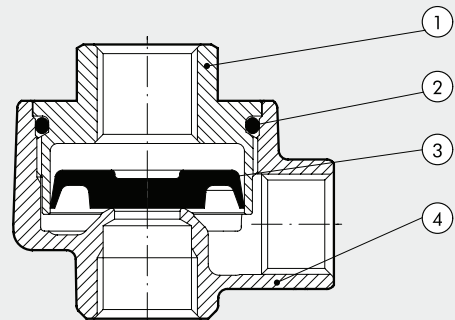
Empty flow rate (A → R) [Nl/min]:

Pm [bar]	1/8	1/4	1/2
2.5	800	1500	4400
4	1200	2450	6300
6.3	1800	3500	8000

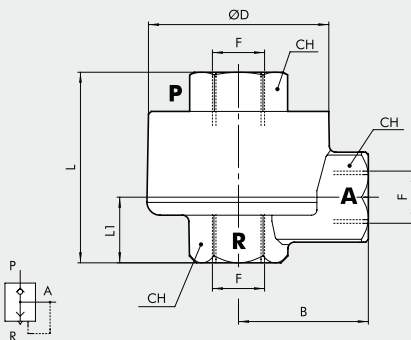


COMPONENTS

- ① Cap: nickel-plated brass for 1/8-1/4
anodized aluminium for 1/2
- ② O-ring: NBR
- ③ Lip-seal: Polyurethane
- ④ Body: nickel-plated brass

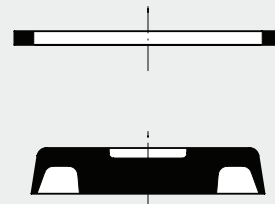


OVERALL DIMENSIONS AND ORDERING CODES



Code	Ref.	F	B	D	CH	L	L1	Weight [g]
9101201	VSR 1/8	1/8	18.5	29.5	14	32.5	13.4	80
9201201	VSR 1/4	1/4	23.3	34	17	40.5	16.9	115
9401201	VSR 1/2	1/2	35	47	27	45.7	16.2	230

SPARE GASKETS



Code	Ref.
9151501	Spare gaskets VSR 1/8
9251501	Spare gaskets VSR 1/4
9451501	Spare gaskets VSR 1/2