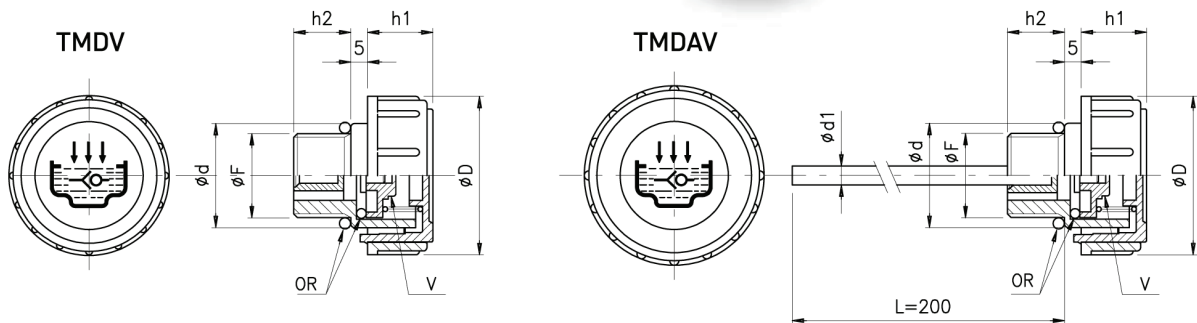


TMDV - FILLER BREATHERS WITH ONE WAY AIR VENT VALVE

TMDAV - FILLER BREATHERS WITH ONE WAY AIR VENT VALVE AND DIPSTICK



V= One-way check valve
OR = O-Ring NBR seal

- Cylindrical filler breather with easy grip vertical ribs.
- The standard filler breather is manufactured in black, with a red top encased with the UNI valve symbol.
- Oil resistant, 70 shore 'O' ring seal.
- The filler breather is produced from thermoplastic material, and features excellent dimensional stability whilst shock proof.
- They offer high mechanical resistance at both low and higher temperature. **(working temp.: 100°C (212 F))**
- The models TMDV - TMDAV are applied where an air pressure in the tank is to be maintained.
- The filler breather allows air to breathe out only.
- When inside the tank a pressure builds up, that exceeds the spring pressure of the internal check-disk (0.20 - 0.25 bar) the disk will lift and allow the air to escape.

- The disk will return to its seated position when the pressure is lower or equal to the preset value.
- These filler breathers are applied in compressor housings, gearboxes, and all applications that require a maintained air pressure of **.30 bar (±0,1) = 4.3 PSI**.
- The model TMDAV is standard produced with a dipstick of 200 mm, measured from contact point filler breather with surface of tank, to the end of the dipstick, when the filler breather is inserted all the way.
- On orders that exceed 250 pieces, the dipstick can be cut to a custom length, whilst "MIN - MAX" notches can be placed at the desired heights.
- Airflow capacity (P) indicated in the table expressed in liters/minute using a tank pressure of 300/400 mbar (0.73 psi).

Code	F	P	D	d	d1	h1	h2
TMDV-38 TMDAV-38	G 3/8"	25	36	23	4	17	11
TMDV-12 TMDAV-12	G 1/2"	80	41	28	4	18	12
TMDV-34 TMDAV-34	G 3/4"	110	47	33	5	17	12
TMDV-1 TMDAV-1	G 1"	240	52	38	5	20	12
TMDV-114 TMDAV-114	G 1 1/4"	83	63	49	5	23	13
TMDV-16.15 TMDAV-16.15	M 16x1,5	25	36	23	4	17	11
TMDV-18.15 TMDAV-18.15	M 18x1,5	80	41	28	4	17,5	12
TMDV-20.15 TMDAV-20.15	M 20x1,5	80	41	28	4	17,5	12
TMDV-22.15 TMDAV-22.15	M 22x1,5	80	41	28	4	17,5	12