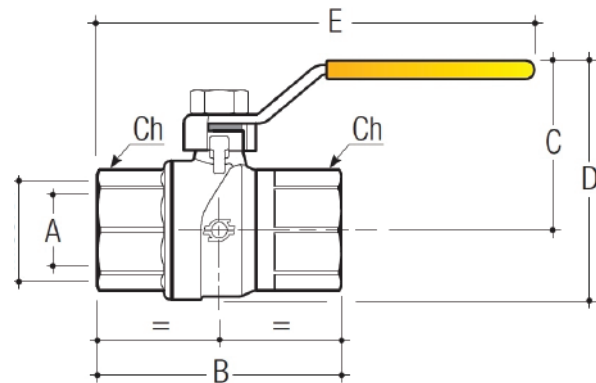


FULL FLOW BALL VALVE FOR GAS

FEMALE-FEMALE NICKEL-PLATED BALL VALVE, WITH RED PLASTIFIED STEEL LEVER HANDLE

www.pneumatics.ie



Dimensions

Product code	Size	A mm	B mm	C mm	D mm	E mm	DN mm	Ch mm	gr
GBV14FF	¼"	10	45.6	39.6	52.4	107.3	8	20	154
GBV38FF	⅜"	10	47.2	39.6	52.4	108.2	10	20	158
GBV12FF	½"	15	56.7	43.2	58.6	112.9	15	25	195
GBV34FF	¾"	20	66.9	47	66	118	20	31	297
GBV1FF	1"	25	81.3	57.6	80.4	151	25	38	495
GBV1¼FF	1¼"	32	96	63.1	91.6	158.2	32	47	700
GBV1½FF	1½"	40	104	74.2	108.3	192.4	40	53	1070
GBV2FF	2"	50	127	82.3	124.6	203.9	50	66	1755