

IN-LINE QUICK-EXHAUST VALVES SERIES VSR L

**METAL
WORK**[®]
P N E U M A T I C

The VSR L quick-exhaust valve belongs to the LINE ON LINE[®] family, which means it can be connected to all the other components in series or in parallel.

Available in the version for pipe-pipe connection with two push-in fittings, and in the version for thread-pipe connection with a brass nickel-plated male thread and a push-in fitting.

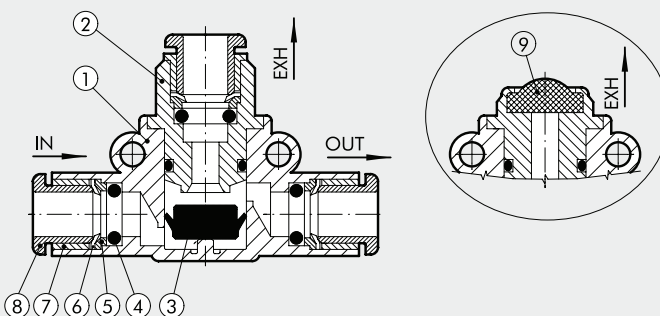
Exhaust can be silenced using a STAINLESS steel wire silencer, or conveyed using a push-in fitting.



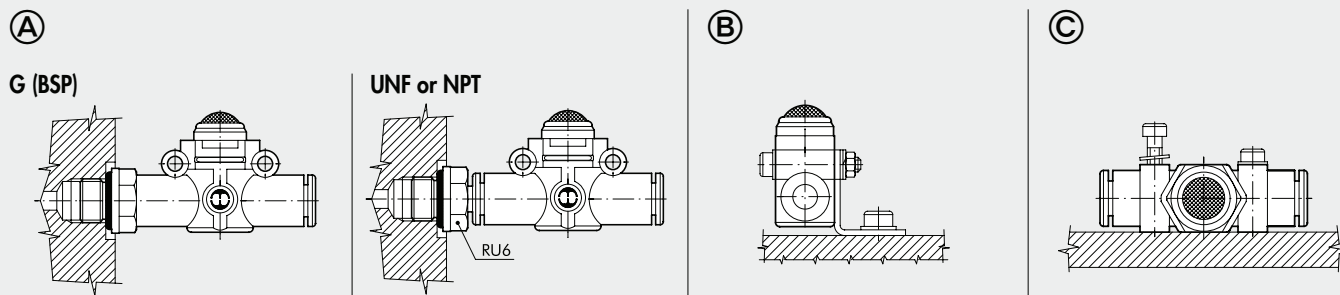
TECHNICAL DATA		Ø 4 (Ø5/32")	Ø 6	Ø 1/4"	Ø 8 (Ø5/16")
Inlet pressure	MPa	0.1 to 1			
	bar	1 to 10			
	psi	14.5 to 145			
Temperature range	°C	- 20 to + 60			
	°F	- 4 to + 140			
Inlet flow rate at 6.3 bar ΔP 1 bar	Nl/min	50	270	270	400
Exhaust flow rate at 6.3 bar	Nl/min	100	700	700	1000
Recommended pipe		Rilsan PA 11 - Nylon 6 - Polyamide 12 - Polypropylene			
Fluid		Lubricated or unlubricated filtered compressed air; if used, must be continuous			
Compatibility with oils		See chapter Z1			

COMPONENTS

- ① Technopolymer body
- ② Nickel-plated brass insert
- ③ NBR valve
- ④ NBR gasket
- ⑤ Technopolymer spring ring
- ⑥ Stainless steel folding spring
- ⑦ Brass or technopolymer locking bushing
- ⑧ Technopolymer release bushing
- ⑨ Stainless steel wire silencer



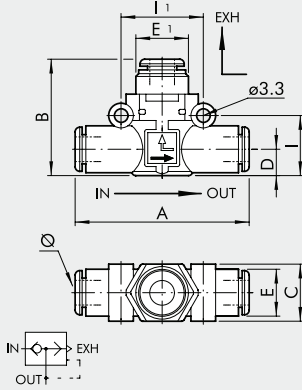
ASSEMBLY OPTIONS



How to mount the VSR L:

- Fig. **A** **G (BSP)**: With the male threaded port it is possible to mount the VSR L straight onto the actuator.
UNF or NPT: Adding a RU6 fitting, with his male UNF or NPT thread, it is possible to mount the VSR L straight on to the actuator or the control valve.
- Fig. **B** Fixing to the plate with the special SQU L bracket.
- Fig. **C** There are two robust rings on the plastic body for fixing the VSR L straight onto the wall.

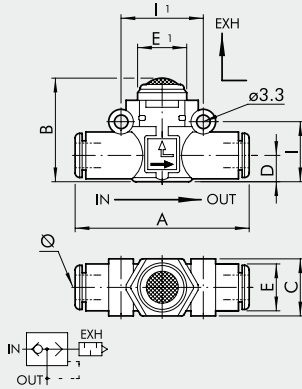
VSR L PIPE - PIPE, CONVEYED EXHAUST



Code	Ref.	Ø	A	B	C	D	E	E1	I	I1
9063001	VSR L Ø4-Ø4-Ø4	4 ▲	41.8	25.8	10.7	5.6	10	9.7	12.8	16
9063016	VSR L Ø6-Ø6-Ø6	6	49.4	30.2	14.7	6.4	11.4	13	14.6	20
9063016U	VSR L Ø1/4-Ø1/4-Ø1/4	1/4	49.4	30.2	14.7	6.4	11.4	13	14.6	20
9063024	VSR L Ø8-Ø8-Ø8	8 ▲	57.3	35.9	18.7	9.1	13.8	15	18.7	24

▲ Ø4 = Ø5/32"; Ø8 = Ø5/16"

VSR L PIPE - PIPE, SILENCED EXHAUST



Code	Ref.	Ø	A	B	C	D	E	E1	I	I1
9063101	VSR L Ø4-Ø4-SIL	4 ▲	41.8	19.8	10.7	5.6	10	10	12.8	16
9063116	VSR L Ø6-Ø6-SIL	6	49.4	25.5	14.7	6.4	11.4	14	14.6	20
9063116U	VSR L Ø1/4-Ø1/4-SIL	1/4	49.4	25.5	14.7	6.4	11.4	14	14.6	20
9063124	VSR L Ø8-Ø8-SIL	8 ▲	57.3	31.5	18.7	9.1	13.8	18	18.7	24

▲ Ø4 = Ø5/32"; Ø8 = Ø5/16"