

# Sensor, Series ST6

- 6 mm T-slot
- with cable
- open cable ends, 2-pin open cable ends, 3-pin
- UL certification
- Reed electronic PNP electronic NPN
- Direct mounting for series PRA, PRE, CCI, KPZ, SSI, GPC, CVI
- Indirect mounting for series TRB, ITS, CCL-IS, MNI, CSL-RD, ICM, KHZ, TRR


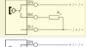




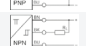

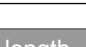


## Certificates

Ambient temperature min./max.	-30 ... 80 °C
Protection class	IP65 IP67 IP69K
Switching point precision	±0,1 mT
Nominal current, actuated state	30 mA
Quiescent current (without load)	8 mA
Min./max. DC operating voltage	See table below
Min./max. AC operating voltage	See table below
Hysteresis	≥ 0,2 mT
Switching logic	NO (make contact)
LED status display	Yellow
Vibration resistance	10 - 55 Hz, 1 mm
Shock resistance	30 g / 11 ms

## CE declaration of conformity cULus RoHS

## Technical data

Part No.		for	Type of contact
R412022866		PRA, PRE, CCI, KPZ, SSI, GPC, CVI	Reed
R412022869		PRA, PRE, CCI, KPZ, SSI, GPC, CVI	Reed
R412022870		PRA, PRE, CCI, KPZ, SSI, GPC, CVI	Reed
R412022871		PRA, PRE, CCI, KPZ, SSI, GPC, CVI	Reed
R412022853		PRA, PRE, CCI, KPZ, SSI, GPC, CVI	electronic PNP
R412022855		PRA, PRE, CCI, KPZ, SSI, GPC, CVI	electronic PNP
R412022857		PRA, PRE, CCI, KPZ, SSI, GPC, CVI	electronic PNP
R412022849		PRA, PRE, CCI, KPZ, SSI, GPC, CVI	electronic NPN
R412022850		PRA, PRE, CCI, KPZ, SSI, GPC, CVI	electronic NPN

Part No.	Cable length L	Min./max. DC operating voltage	Min./max. AC operating voltage
R412022866	3 m	10 ... 230 V DC	10 ... 230 V AC
R412022869	3 m	10 ... 30 V DC	10 ... 30 V AC
R412022870	5 m	10 ... 30 V DC	10 ... 30 V AC
R412022871	10 m	10 ... 30 V DC	10 ... 30 V AC
R412022853	3 m	10 ... 30 V DC	-
R412022855	5 m	10 ... 30 V DC	-
R412022857	10 m	10 ... 30 V DC	-
R412022849	3 m	10 ... 30 V DC	-
R412022850	5 m	10 ... 30 V DC	-

Part No.	Voltage drop U at I <sub>max</sub>	DC switching current, max.
R412022866	≤ 3,5 V	0,13 A
R412022869	I*Rs	0,3 A
R412022870	≤ 0,1 V	0,3 A
R412022871	I*Rs	0,3 A
R412022853	≤ 2,5 V	0,13 A
R412022855	≤ 2,5 V	0,13 A
R412022857	≤ 2,5 V	0,13 A
R412022849	≤ 2,5 V	0,13 A
R412022850	≤ 2,5 V	0,13 A

Part No.	AC switching current, max.	Switching capacity
R412022866	0,13 A	Reed, 2-pin: max. 10 W Reed, 3-pin: max. 6 W
R412022869	0,5 A	Reed, 2-pin: max. 10 W Reed, 3-pin: max. 6 W
R412022870	0,5 A	Reed, 2-pin: max. 10 W Reed, 3-pin: max. 6 W
R412022871	0,5 A	Reed, 2-pin: max. 10 W Reed, 3-pin: max. 6 W
R412022853	-	-
R412022855	-	-
R412022857	-	-
R412022849	-	-

Part No.	AC switching current, max.	Switching capacity
R412022850	-	-

Part No.	Max. switching frequency	Operating current, not switched
R412022866	400 Hz	-
R412022869	400 Hz	-
R412022870	400 Hz	-
R412022871	400 Hz	-
R412022853	1000 Hz	8 mA
R412022855	1000 Hz	8 mA
R412022857	1000 Hz	8 mA
R412022849	1000 Hz	8 mA
R412022850	1000 Hz	8 mA

1) open cable ends, 2-pin

2) open cable ends, 3-pin

## Technical information

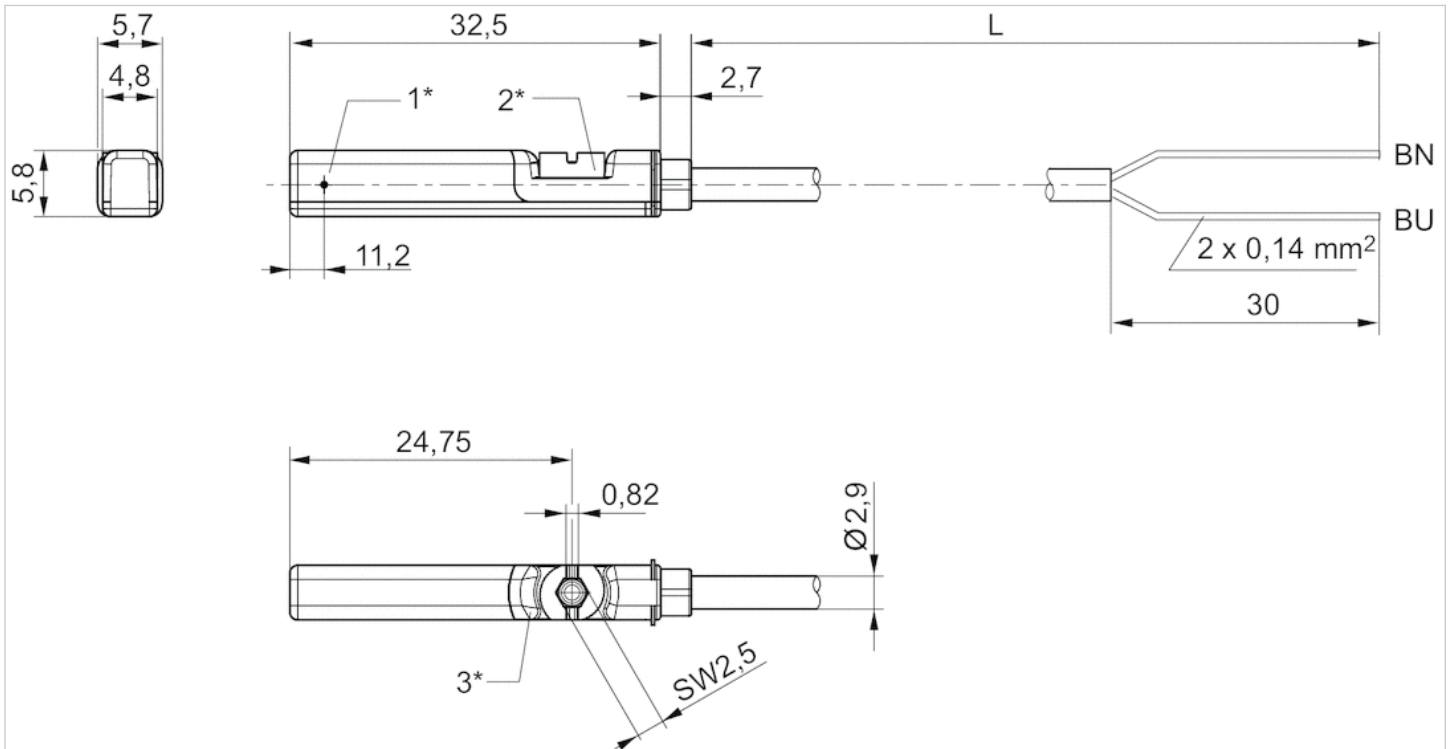
No cULus certification for 230 V variant.

## Technical information

Material	
Housing	Polyamide
Cable sheath	Polyurethane
Locking screw	Stainless steel

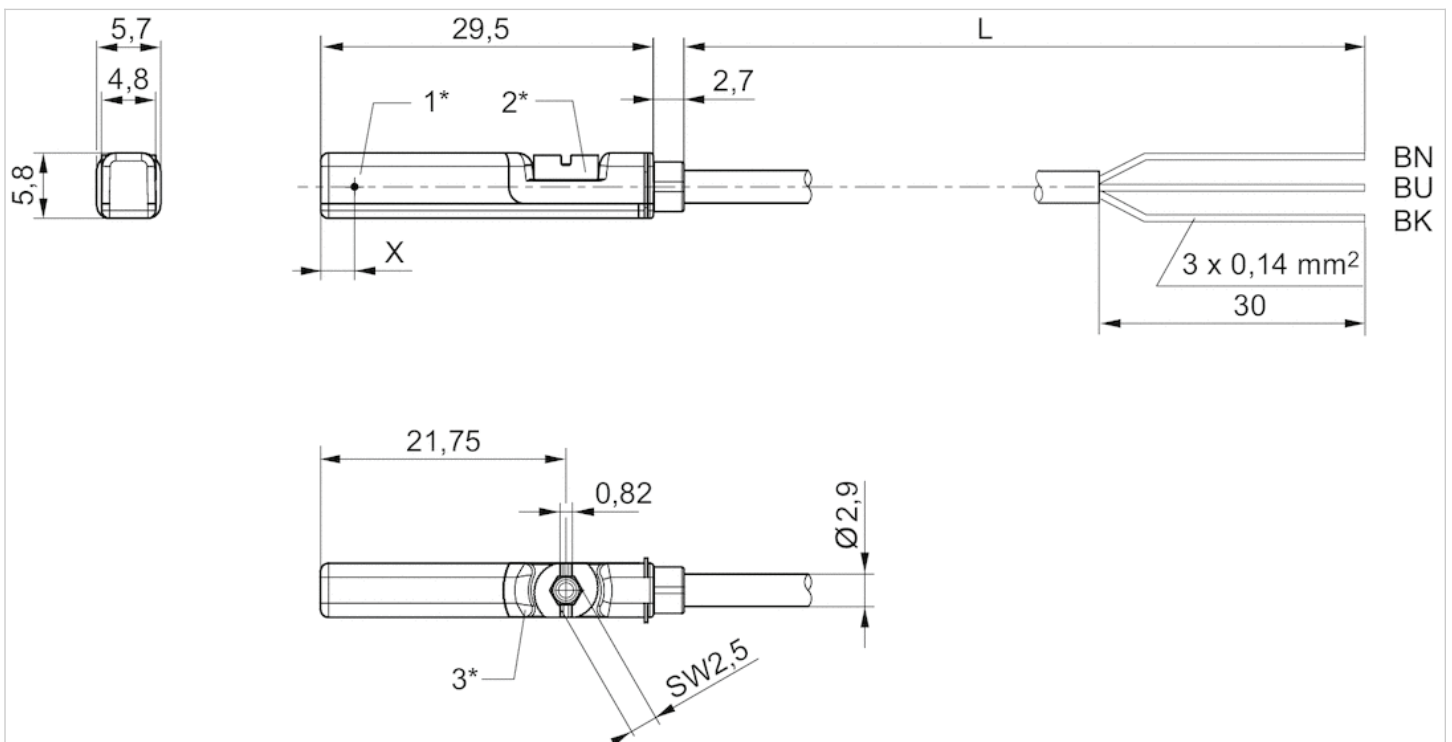
## Dimensions

Fig. 1



1\* = switching point 2\* = locking screw 3\* = LED window, transparent  
 L = cable length BN=brown, BU=blue

Fig. 2



1\* = switching point 2\* = locking screw 3\* = LED window, transparent  
 L = cable length BN = brown, BK = black, BU = blue  
 X = electronic: 11.6 mm





# Sensor, Series ST6

- 6 mm T-slot
- with cable
- Plug, M8, 3-pin
- UL certification
- Reed electronic PNP electronic NPN
- Direct mounting for series PRA, PRE, CCI, KPZ, SSI, GPC, CVI
- Indirect mounting for series TRB, ITS, CCL-IS, MNI, CSL-RD, ICM, KHZ, TRR



Certificates	CE declaration of conformity cULus RoHS
Ambient temperature min./max.	-30 ... 80 °C
Protection class	IP65 IP67
Switching point precision	±0,1 mT
Nominal current, actuated state	30 mA
Quiescent current (without load)	8 mA
Min./max. DC operating voltage	10 ... 30 V DC
Min./max. AC operating voltage	See table below
Hysteresis	≥ 0,2 mT
Switching logic	NO (make contact)
Switching capacity	Reed, 2-pin: max. 10 W Reed, 3-pin: max. 6 W
LED status display	Yellow
Vibration resistance	10 - 55 Hz, 1 mm
Shock resistance	30 g / 11 ms

## Technical data

Part No.		for	Type of contact
R412022868		PRA, PRE, CCI, KPZ, SSI, GPC, CVI	Reed
R412022872		PRA, PRE, CCI, KPZ, SSI, GPC, CVI	Reed
R412022858		PRA, PRE, CCI, KPZ, SSI, GPC, CVI	electronic PNP
R412022851		PRA, PRE, CCI, KPZ, SSI, GPC, CVI	electronic NPN

Part No.	Cable length L	Min./max. AC operating voltage	Voltage drop U at I <sub>max</sub>
R412022868	0,3 m	10 ... 30 V AC	≤ 3,5 V
R412022872	0,3 m	10 ... 30 V AC	≤ 0,1 V
R412022858	0,3 m	-	≤ 2,5 V
R412022851	0,3 m	-	≤ 2,5 V

Part No.	DC switching current, max.	AC switching current, max.
R412022868	0,13 A	0,13 A
R412022872	0,3 A	0,5 A
R412022858	0,13 A	-
R412022851	0,13 A	-

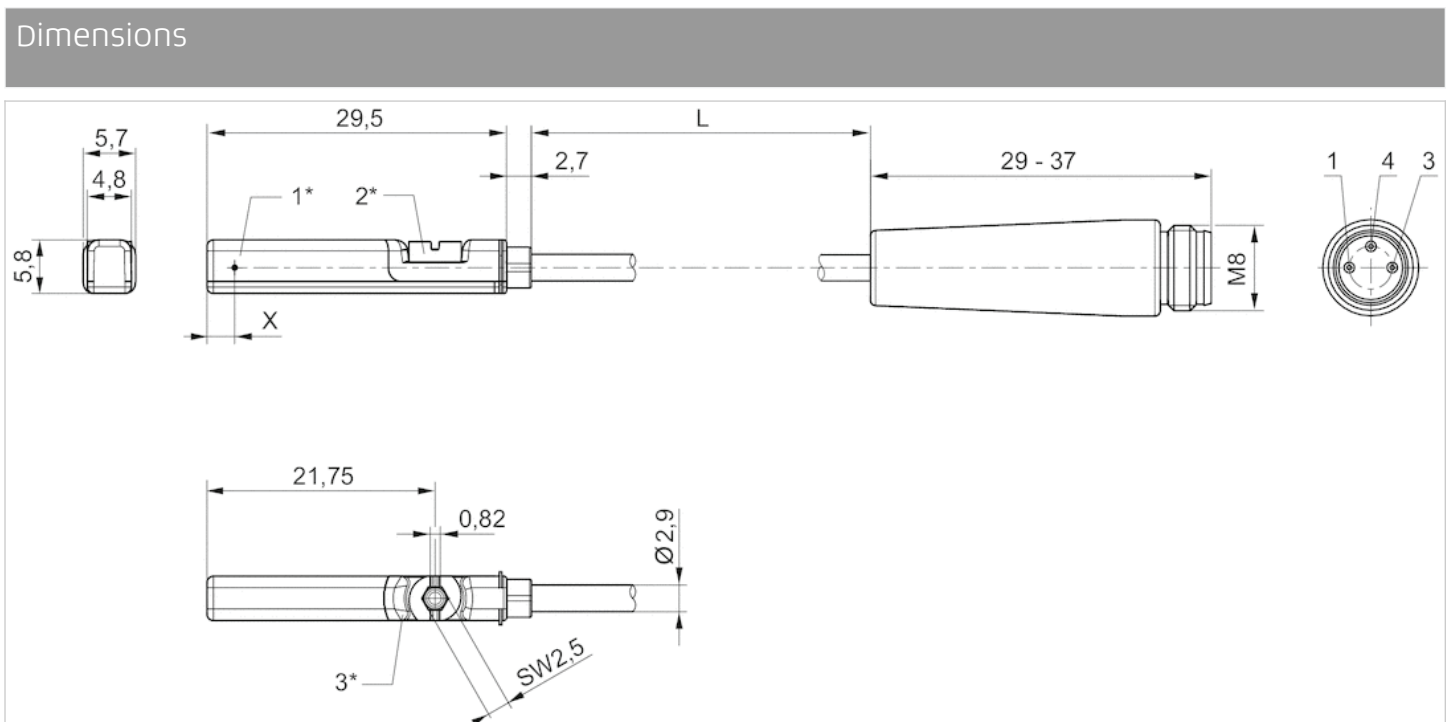
Part No.	Max. switching frequency	Operating current, not switched
R412022868	400 Hz	-
R412022872	400 Hz	-
R412022858	1000 Hz	8 mA
R412022851	1000 Hz	8 mA

Part No.	Operating current, switched
R412022868	-
R412022872	-
R412022858	30 mA
R412022851	30 mA

## Technical information

Material	
Housing	Polyamide
Cable sheath	Polyurethane
Locking screw	Stainless steel

## Dimensions



1\* = switching point 2\* = locking screw 3\* = LED window, transparent  
 L = cable length  
 X = electronic: 11,6 mm, Reed: 8,3 mm