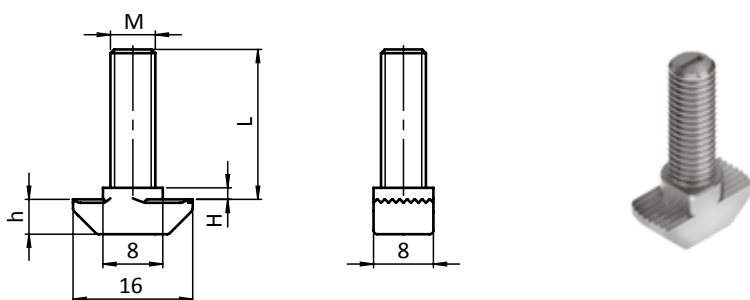


**HAMMERSCHRAUBE**

**HAMMER HEAD SCREW**

|                      |   |                      |  |
|----------------------|---|----------------------|--|
| <b>Ausführung</b>    | Nut 8, Stahl / Edelstahl  | <b>Model</b>         | Slot 8, steel / stainless steel  |
| <b>Beschreibung</b>  | Befestigungselement für Aluminiumprofile, bricht die Eloxalschicht auf und schafft eine sichere, elektrisch leitfähige Verbindung           | <b>Description</b>   | To fasten components to profiles, breaks the anodized coat of the profile - thus ensuring a safe, electrically conductive connection                     |
| <b>Material</b>      | Stahl, verzinkt / Edelstahl 1.4401  | <b>Material</b>      | Zinc plated steel / stainless steel SS316  |
| <b>Liefereinheit</b> | 100 Stück   | <b>Pack Quantity</b> | 100 pieces   |
| <b>Extras</b>        | Drehhilfe: Polyamid-Fleckbeschichtung auf Anfrage<br>Oberfläche: mit Trocken-Gleitfilm, Zink-Nickel- oder Zink-Lamellen-Überzug auf Anfrage | <b>Specials</b>      | Turning help: Polyamide thread locking dot on request<br>Surface: With dry film lubrication, zinc-nickel plated or with zinc lamellar plating on request |
| <b>Hinweis</b>       | passende Flanschmutter siehe Seite 301<br>* bestehend aus Hammermutter mit geklebtem Gewindestück   | <b>Tip</b>           | Compatible flange nut see page 301<br>*Made of hammer nut with glued threaded rod  |



| Hammerschraube<br>Hammer Head Screw | H<br>[mm] | Größe M x L [mm]<br>Size M x L [mm] | Gewicht [g]<br>Weight [g] | Profil<br>Profile | Teil-Nr.<br>Part # |
|-------------------------------------|-----------|-------------------------------------|---------------------------|-------------------|--------------------|
| Stahl <i>Steel</i>                  | 1.5       | M6 x 16                             | 5.3                       | B                 | 096HK0815M0616     |
|                                     | 1.5       | M6 x 20                             | 6.2                       | B                 | 096HK0815M0620     |
|                                     | 1.5       | M6 x 25                             | 7.0                       | B                 | 096HK0815M0625     |
|                                     | 1.5       | *M6 x 30                            | 8.6                       | B                 | 096HK0815M0630     |
|                                     | 1.5       | *M6 x 40                            | 10.4                      | B                 | 096HK0815M0640     |
|                                     | 1.5       | M6 x 60                             | 13.4                      | B                 | 096HK0815M0660     |
|                                     | 1.5       | M8 x 20                             | 9.0                       | B                 | 096HK0815M0820     |
|                                     | 1.5       | M8 x 25                             | 10.6                      | B                 | 096HK0815M0825     |
|                                     | 1.5       | M8 x 30                             | 12.1                      | B                 | 096HK0815M0830     |
|                                     | 3.0       | M6 x 20                             | 5.6                       | I                 | 096HK0830M0620     |
|                                     | 3.0       | M6 x 25                             | 6.4                       | I                 | 096HK0830M0625     |
|                                     | 3.0       | *M6 x 30                            | 8.0                       | I                 | 096HK0830M0630     |
|                                     | 3.0       | *M6 x 40                            | 9.8                       | I                 | 096HK0830M0640     |
|                                     | 3.0       | *M6 x 60                            | 12.8                      | I                 | 096HK0830M0660     |
|                                     | 3.0       | M8 x 20                             | 9.0                       | I                 | 096HK0830M0820     |
|                                     | 3.0       | M8 x 25                             | 10.6                      | I                 | 096HK0830M0825     |
|                                     | 3.0       | M8 x 30                             | 12.1                      | I                 | 096HK0830M0830     |
|                                     | 3.0       | M8 x 40                             | 20.5                      | I                 | 096HK0830M0840     |
| Edelstahl <i>Stainless steel</i>    | 1.5       | *M6 x 20                            | 7.6                       | B                 | 096HK0815M0620E    |
|                                     | 1.5       | *M6 x 25                            | 8.4                       | B                 | 096HK0815M0625E    |
|                                     | 1.5       | *M6 x 30                            | 9.4                       | B                 | 096HK0815M0630E    |
|                                     | 1.5       | *M6 x 40                            | 11.2                      | B                 | 096HK0815M0640E    |
|                                     | 1.5       | *M6 x 60                            | 14.4                      | B                 | 096HK0815M0660E    |