

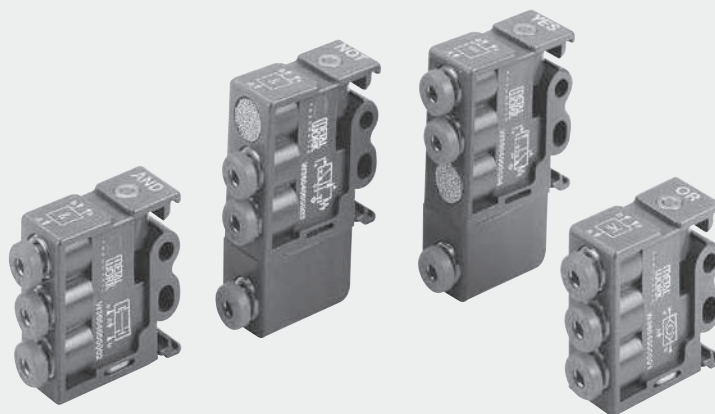
# PNEUMATIC LOGIC



Metal Work logic elements are available with 5 different functions:  
OR, AND, NOT, YES, MEMORY.

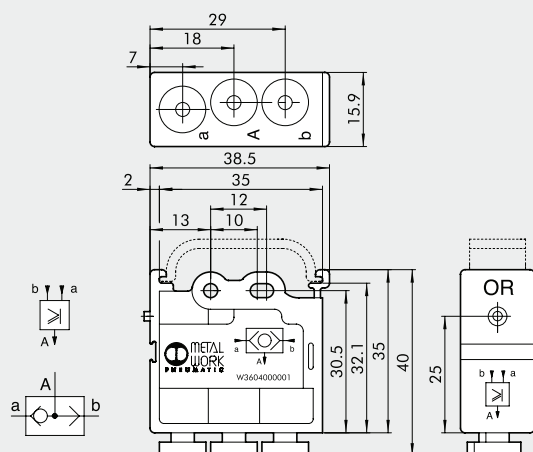
Main features common to all elements:

- Adaptor for  $\Omega$  bar (DIN EN 50022) integral with the body.
- Built-in pressure indicator.
- Pipe locking system using  $\varnothing 4$  built-in fittings.



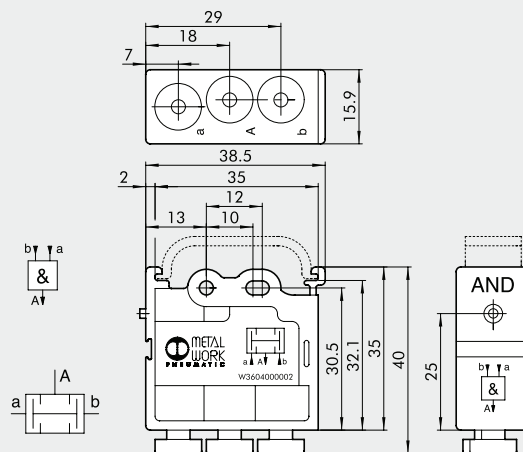
TECHNICAL DATA	
Operating temperature	°C
Valve fitting	Push-in fitting for $\varnothing 4$ pipe
Pressure range	bar
	OR - AND: from 1.5 to 8 bar
	YES-NOT - MEMORY: from 0 to 8 bar, pilot pressure from 1.5 to 8 bar
	NOT: 6 bar switching threshold = 0.4
Nominal diameter	mm
Flow rate at 6 bar (0.6 MPa-87 psi) $\Delta P$ 1 bar (0.1 Mpa-14.5 psi)	NI/min
Fluid	2.7
Recommended lubricant	100
Actionment	Lubricated or unlubricated filtered compressed air; must be uninterrupted when lubricated
Reset	ISO and UNI FD22
	Via compressed air
	AND-OR: via compressed air
	YES-NOT via mechanical spring
	MEMORY: via compressed air
Installation	In any position
Mounted	On Omega bar (DIN EN 50022) size 35 x 7 or 35 x 15
	Wall-mounted with $\varnothing 4.2$ holes
<b>MATERIALS</b>	
Body	Technopolymer
Spool	Aluminium
Seal	NBR

## LOGIC ELEMENT: OR



Code	Description
W3604000001	OR - logic product

## LOGIC ELEMENT: AND



Code	Description
W3604000002	AND - logic sum