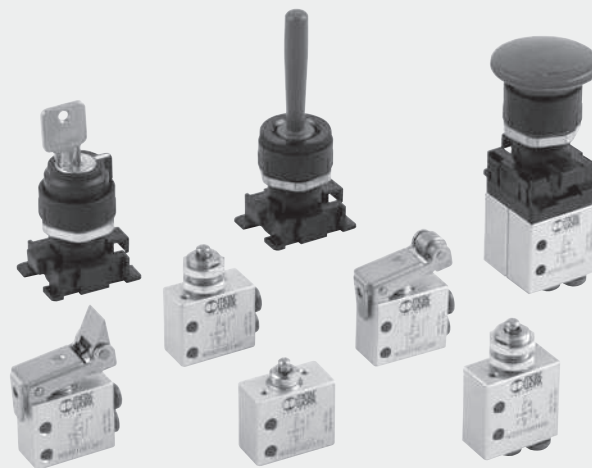


# MINIVALVES, MECHANICALLY AND HAND OPERATED SERIES VME

- Minivalves with 3/2 NO NC poppet,
- Installation in any position
- Push-in fittings for pipe  $\varnothing$  4 mm and M5 on the valve body
- Low actuation force
- Rapid, accurate signal
- Mechanical actuation
- The 2 places adapter allows manual actuation of 1 or 2 VME valves with manual  $\varnothing$  22 panel actuators. Thus it is possible to obtain 3/2, 5/2, 5/3 open centre and 5/3 pressure centre pneumatic functions.
- On request, it is possible to place a NC-NO electric switch next to VME valve for mixed solenoid/pneumatic signals.

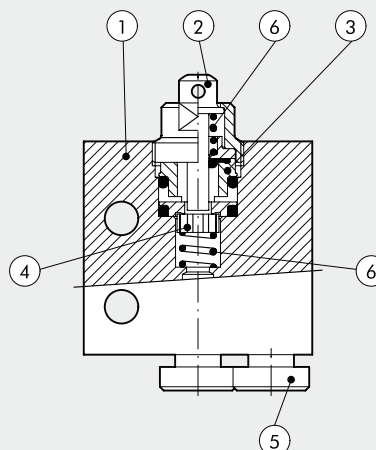


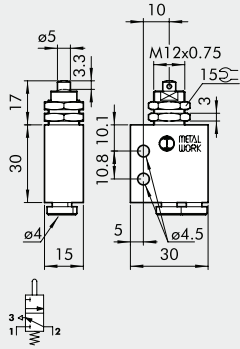
## TECHNICAL DATA

Valve fitting port		Push-in fitting for pipe diam. 4 and M5 (axial or side)
Fluid		Filtered air without lubrication; lubrication, if used, must be continuous
Type		With poppet
Versions		Mechanical and manual
Operators:		With Plunger – Plunger for wall-mounting – Roller lever – Unidirectional roller lever
• mechanical		Depending on the type of actuation panel selected
• manual		
Operating pressure	bar	0.5 to 10
Operating temperature range	$^{\circ}\text{C}$	$-10^{\circ}$ to $+60$
Nominal diameter	mm	2.5
Conductance C	Nl/min · bar	16.5
Critical ratio b	bar/bar	0.03
Flow rate at 6 Bar $\Delta P$ 0.5 Bar	Nl/min	35
Flow rate at 6 Bar $\Delta P$ 1 Bar	Nl/min	60
Actuation force – Plunger at 6 Bar	N	8
Recommended lubricant		ISO and UNI FD22
Installation		In any position
Compatibility with oils		See <b>chapter Z1</b>

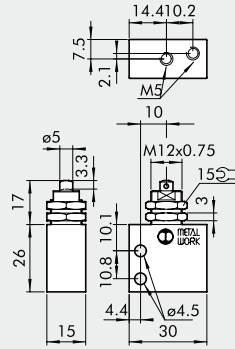
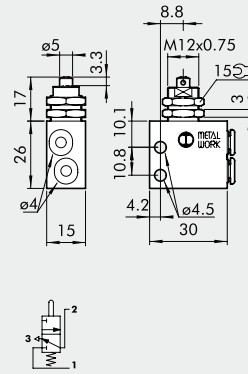
## COMPONENTS

- ① VALVE BODY: Aluminium
- ② BUTTON: chemically nickel-plated brass
- ③ DISTANCE PLATES: Brass
- ④ GASKETS: NBR
- ⑤ PUSH-IN FITTING CARTRIDGES: stainless steel, brass and plastic
- ⑥ SPRINGS: stainless steel

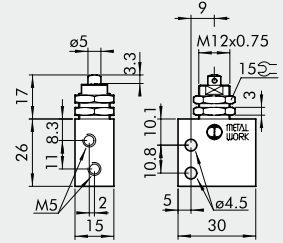


**PLUNGER FOR WALL MOUNTING, 3/2 NC - AXIAL FITTINGS**
 $\varnothing 4$ 


M5


**PLUNGER FOR WALL MOUNTING, 3/2 NC - SIDE FITTINGS**
 $\varnothing 4$ 


M5



Code	Description	Weight [g]
W3501000400	VME1-04 NC $\varnothing 4$	54
W3501000411	VME1-14 NC M5	48

Code	Description	Weight [g]
W3501001401	VME2-04 NC $\varnothing 4$	46
W3501001411	VME2-14 NC M5	46