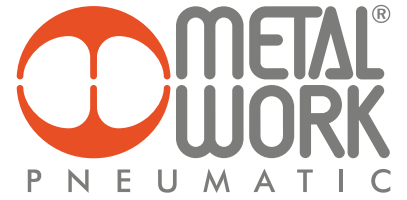


PNEUMATIC LOGIC



Metal Work logic elements are available with 5 different functions:
OR, AND, NOT, YES, MEMORY.

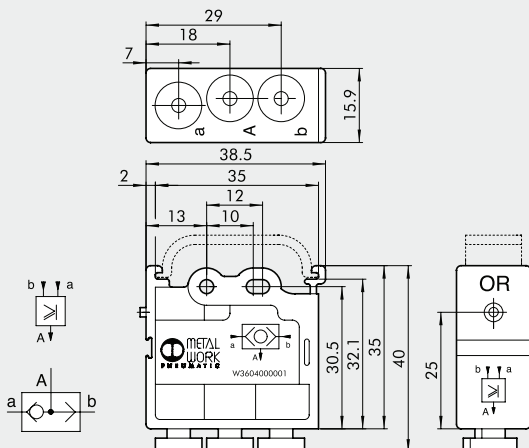
Main features common to all elements:

- Adaptor for Ω bar (DIN EN 50022) integral with the body.
- Built-in pressure indicator.
- Pipe locking system using $\varnothing 4$ built-in fittings.



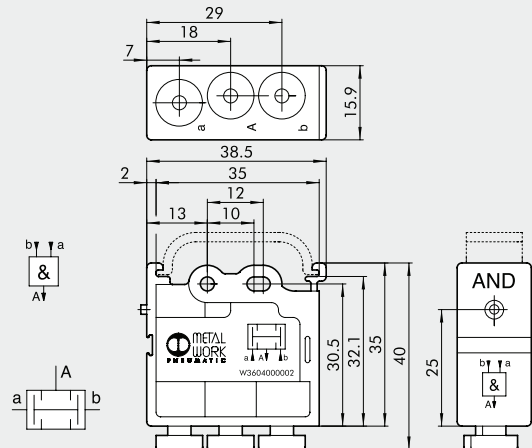
| TECHNICAL DATA | |
|---|---|
| Operating temperature | °C |
| Valve fitting | - 10 to + 60 |
| Pressure range | bar |
| | Push-in fitting for $\varnothing 4$ pipe |
| | OR - AND: from 1.5 to 8 bar |
| | YES-NOT - MEMORY: from 0 to 8 bar, pilot pressure from 1.5 to 8 bar |
| | NOT: 6 bar switching threshold = 0.4 |
| Nominal diameter | mm |
| Flow rate at 6 bar (0.6 MPa-87 psi) ΔP 1 bar (0.1 Mpa-14.5 psi) | NI/min |
| Fluid | 2.7 |
| Recommended lubricant | 100 |
| Actionment | Lubricated or unlubricated filtered compressed air; must be uninterrupted when lubricated |
| Reset | ISO and UNI FD22 |
| | Via compressed air |
| | AND-OR: via compressed air |
| | YES-NOT via mechanical spring |
| | MEMORY: via compressed air |
| Installation | In any position |
| Mounted | On Omega bar (DIN EN 50022) size 35 x 7 or 35 x 15 |
| | Wall-mounted with $\varnothing 4.2$ holes |
| MATERIALS | |
| Body | Technopolymer |
| Spool | Aluminium |
| Seal | NBR |

LOGIC ELEMENT: OR



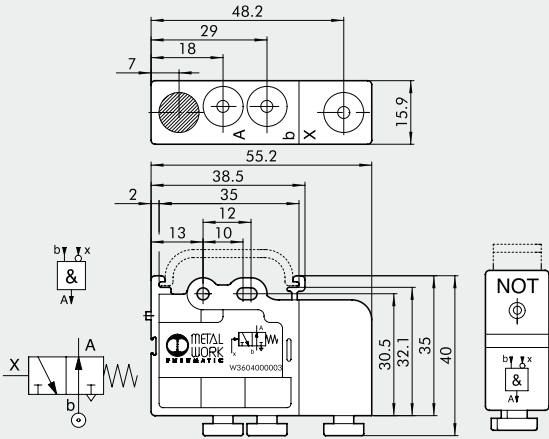
Code: W3604000001
Description: OR - logic product

LOGIC ELEMENT: AND



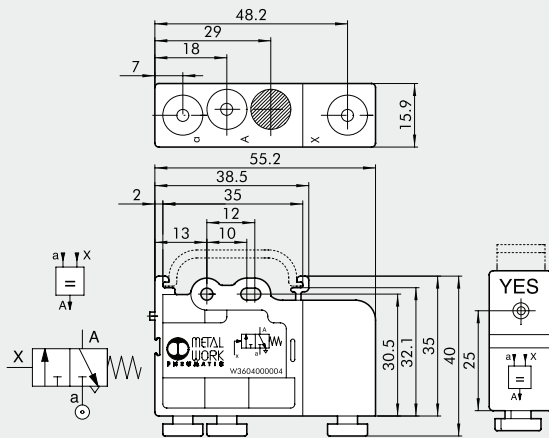
Code: W3604000002
Description: AND - logic sum

LOGIC ELEMENT: NOT



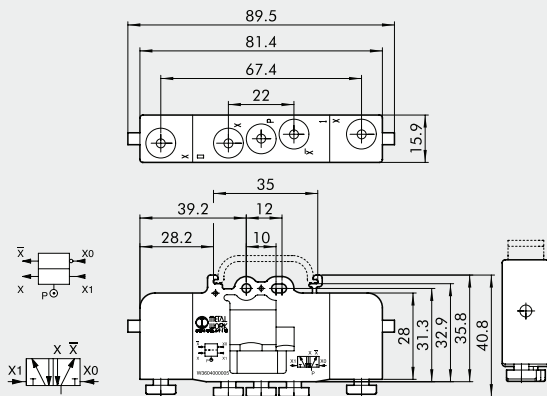
| Code | Description |
|------------|----------------|
| W360400003 | NOT - Negation |

LOGIC ELEMENT: YES



| Code | Description |
|------------|-------------------|
| W360400004 | YES - Affirmation |

LOGIC ELEMENT: MEMORY



| Code | Description |
|------------|-------------|
| W360400005 | Memory |

NOTES