

PNEUMATIC LOGIC



Metal Work logic elements are available with 5 different functions:

OR, AND, NOT, YES, MEMORY.

Main features common to all elements:

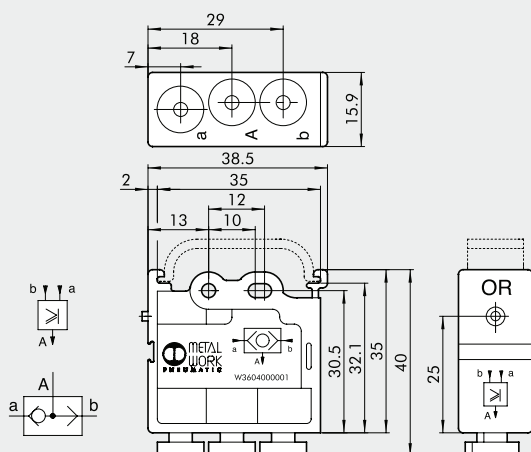
- Adaptor for Ω bar (DIN EN 50022) integral with the body.
- Built-in pressure indicator.
- Pipe locking system using $\varnothing 4$ built-in fittings.



TECHNICAL DATA	
Operating temperature	°C
Valve fitting	
Pressure range	bar
Nominal diameter	mm
Flow rate at 6 bar (0.6 MPa-87 psi) ΔP 1 bar (0.1 Mpa-14.5 psi)	NI/min
Fluid	
Recommended lubricant	
Actionament	
Reset	
Installation	
Mounted	
MATERIALS	
Body	
Spool	
Seal	

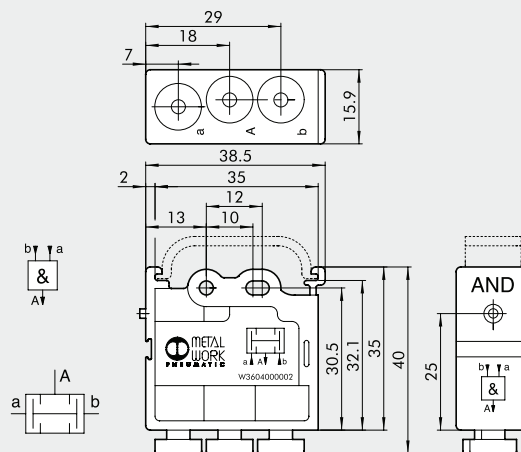
- 10 to + 60
Push-in fitting for $\varnothing 4$ pipe
OR - AND: from 1.5 to 8 bar
YES-NOT -MEMORY: from 0 to 8 bar, pilot pressure from 1.5 to 8 bar
NOT: 6 bar switching threshold = 0.4
2.7
100
Lubricated or unlubricated filtered compressed air; must be uninterrupted when lubricated
ISO and UNI FD22
Via compressed air
AND-OR: via compressed air
YES-NOT via mechanical spring
MEMORY: via compressed air
In any position
On Omega bar (DIN EN 50022) size 35 x 7 or 35 x 15
Wall-mounted with $\varnothing 4.2$ holes
Technopolymer
Aluminium
NBR

LOGIC ELEMENT: OR



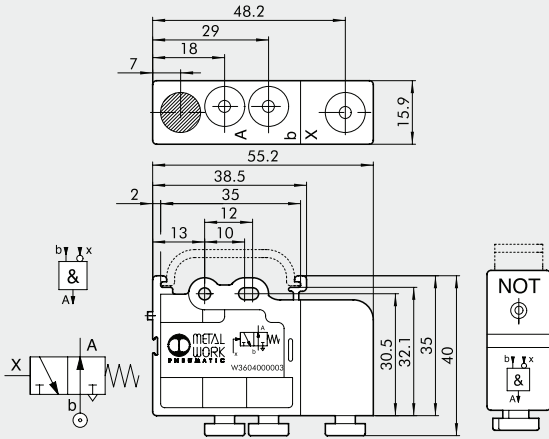
Code	Description
W3604000001	OR - logic product

LOGIC ELEMENT: AND



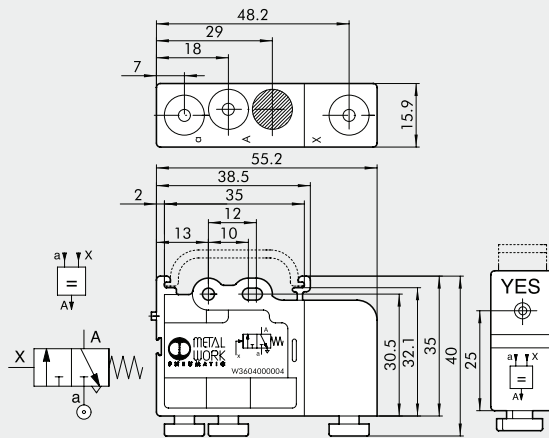
Code	Description
W3604000002	AND - logic sum

LOGIC ELEMENT: NOT



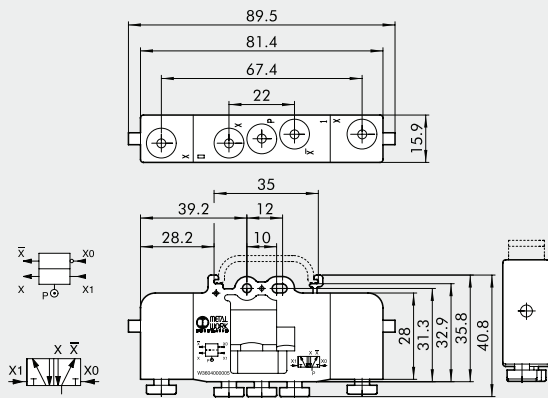
Code	Description
W360400003	NOT - Negation

LOGIC ELEMENT: YES



Code	Description
W360400004	YES - Affirmation

LOGIC ELEMENT: MEMORY



Code	Description
W360400005	Memory

NOTES