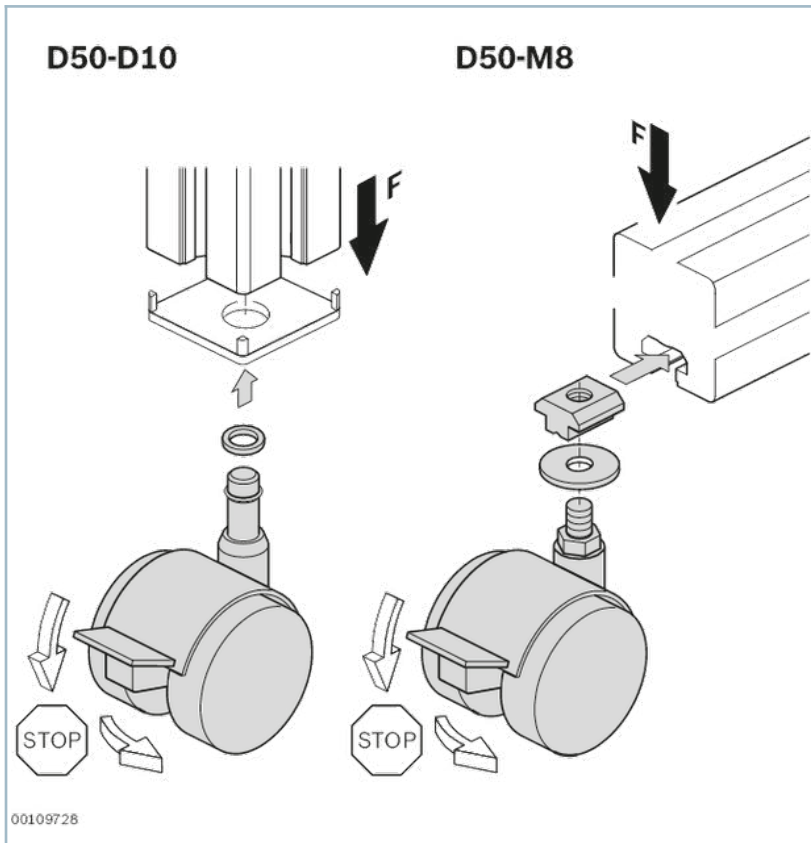


Double wheel



- Attractive-looking double wheel for light applications
- Made of oil-resistant material
- Double wheel with lock
- Double wheel D50-D10 for insertion in the central hole with a diameter of 10 mm
- Double wheel D50-M8 for bolting into the profile slot

Product description

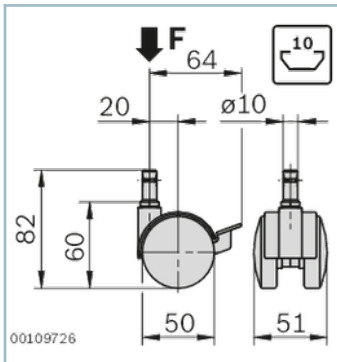


Technical data

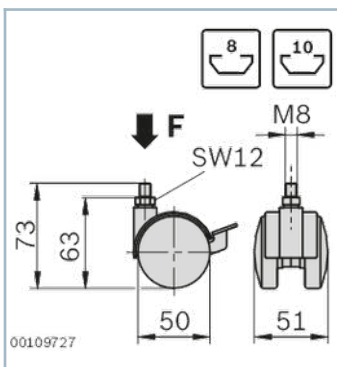
No.	Material
3842515457	Housing, wheel, lock: PA; black Running surface: PU (not with ESD version) Fastening material: Steel; zinc-plated
3842515459	Housing, wheel, lock: PA; black Running surface: PU (ESD version only) Fastening material: Steel; zinc-plated
3842535669	Housing, wheel, lock: PA; black Running surface: PU (not with ESD version) Fastening material: Steel; zinc-plated
3842535670	Housing, wheel, lock: PA; black Running surface: PU (not with ESD version) Fastening material: Steel; zinc-plated

Dimensions

Double wheel D50-D10



Double wheel D50-M8



Accessories

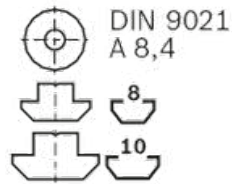


Bearing ring




- For cover caps with hole in the sizes 40x40, 45x45, 50x50 and 60x60
- For M12 threads
- To protect the caps when tightening accessories

Delivery notes

FS1



Ordering codes

	F		ESD	FS	No.
	N				
Double wheel D50-D10	400	4			3842515457
Double wheel D50-D10, ESD	400	4			3842515459
Double wheel D50-M8	400	4		FS1	3842535669
Double wheel D50-M8, ESD	400	4		FS1	3842535670

1) Conduction resistance $\leq 10^6 \Omega$ (DIN EN 12528)