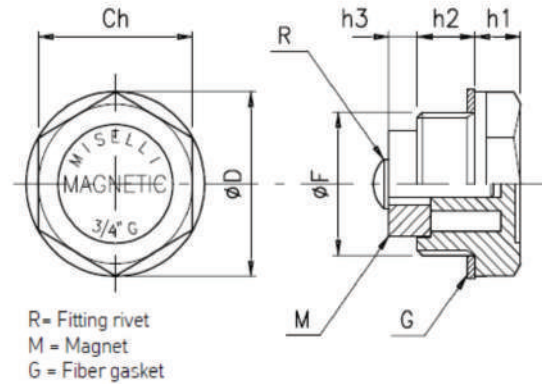


TM - DRAIN PLUGS WITH MAGNET (PLASTIC)



- Hex plug with magnet
- Thermoplastic material (Polyamide 66) ensuring high mechanical resistance at both low and high temperatures (**max operating temp. 100°C**), dimensional stability and shock resistance.
- The plug is fitted to the bottom of the transmission or tank, to be used as drain plug.; the magnet attract ferrous

metal parts, preventing damage to gears and othe moving components

- Production colour black, marked MAGNETIC on the hex surface.
- FASIT 202 fiber gasket
- In larger quantities, these plugs are available with threads other than those shown, ie M16-18-20-22.

Code	F	Ch	D	h2	h1	h3
TM-14	G 1/4"	17	20	9	7	5
TM-38	G 3/8"	18	22	10	7,5	10
TM-12	G 1/2"	24	27	11	8	9
TM-34	G 3/4"	30	34	11	9	6,5
TM-1	G 1"	35	42	12	10,5	14
TM-1415	M14X1,5	17	20	9	7	5