

# Sensor mounting, Series CB1

- for series SN1, SN2

- to mount on cylinder MNI



Weight

See table

## Technical data

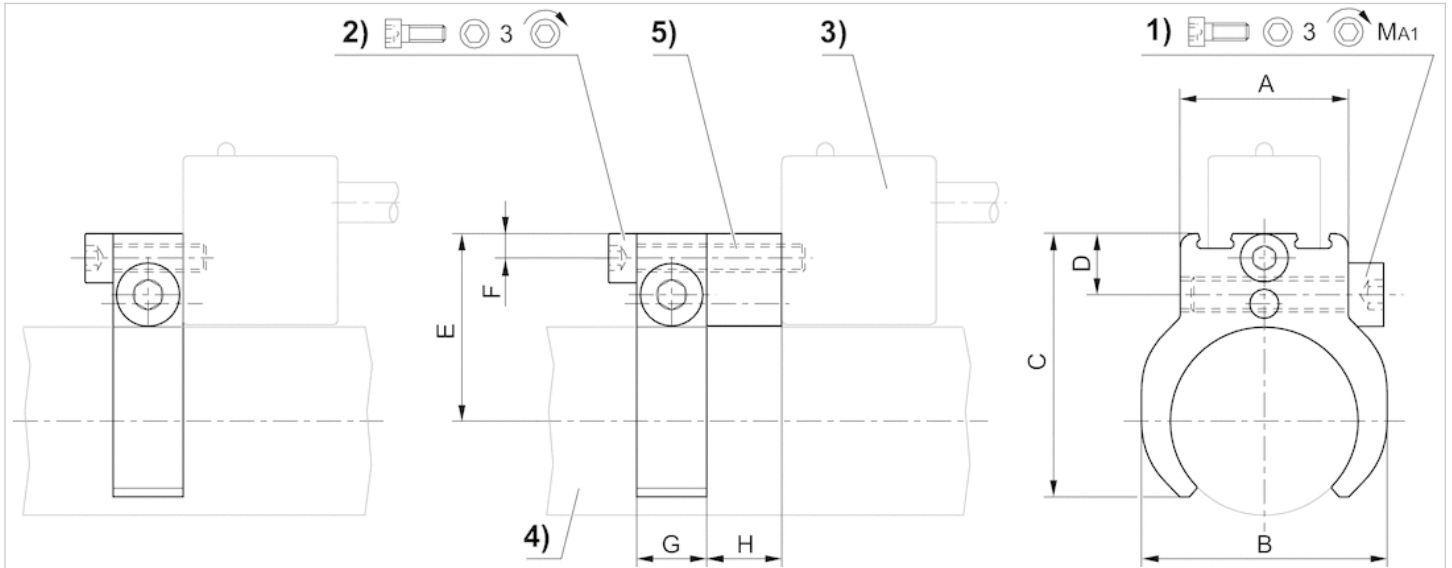
Part No.	Cylinders Ø		for series	Weight
	min.	max.		
1827020065	10 mm	10 mm	SN1, SN2	0,016 kg
1827020066	12 mm	12 mm	SN1, SN2	0,018 kg
1827020067	16 mm	16 mm	SN1, SN2	0,02 kg
1827020068	20 mm	20 mm	SN1, SN2	0,021 kg
1827020069	25 mm	25 mm	SN1, SN2	0,025 kg

## Technical information

Material

Aluminum

## Dimensions



1) Clamping screw 2) Mounting screw for sensor 3) Sensor 4) Cylinder profile 5) Insert (on request)

## Dimensions

Part No.	Cylinders Ø mm	A	B	C	D	E	F	G	H	1)	MA1 [Nm]
1827020065	10 mm	16	16	23.5	8.2	18.7	3.5	10	10.7	M4x14	1 +0,3
1827020066	12 mm	16	20	25.5	8.2	19.9	3.5	10	10.7	M4x14	1 +0,3
1827020067	16 mm	20	24	29.7	8.7	21.9	3.5	10	10.7	M4x25	1 +0,3
1827020068	20 mm	20	28	33	8.7	24.1	3.5	10	10.7	M4x25	1 +0,3
1827020069	25 mm	24	35	37.5	8.7	26.6	3.5	10	10.7	M4x25	1 +0,3