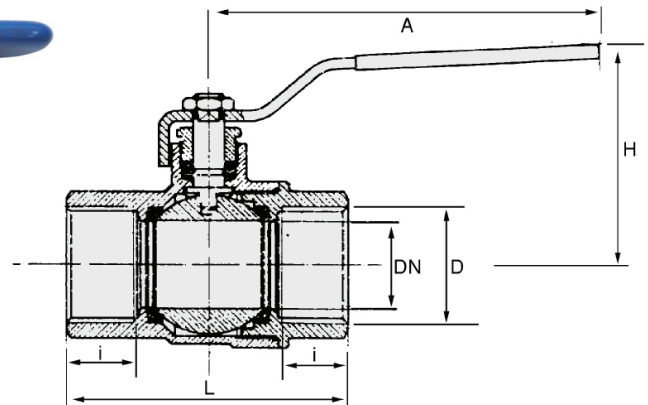
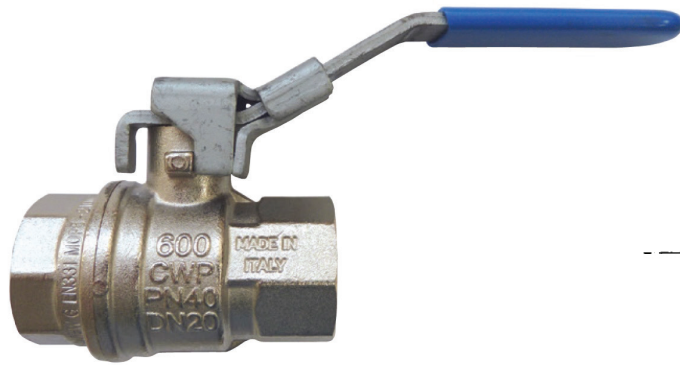


FULL FLOW LEVER BALL VALVE - VENTED

www.pneumatics.ie



Dimensions

Product code	Size R	DN mm	I mm	L mm	A mm	H mm	Max Pressure BAR
BV14FFV	1/4"	8	12	45	82	39.5	40
BV38FFV	3/8"	10	12	45	82	39.5	40
BV12FFV	1/2"	15	15.5	59	100	43	40
BV34FFV	3/4"	20	17	64	120	50	40
BV1FFV	1"	25	21	81	120	54	40



Lockable in both open and closed positions. The RUB locking device covers the stem nut making removal of the lever impossible without first removing the padlock.