

IN-LINE PRESSURE INDICATOR SERIES LAM L

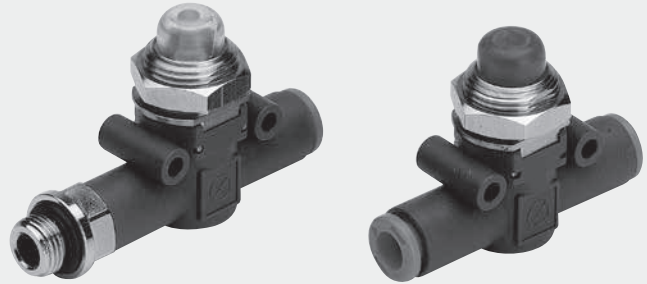
The LAM L pneumatic light indicator belongs to the LINE ON LINE® family, which means it can be connected to all the other components in series or in parallel.

Available in the version for pipe-pipe connection with two FOX push-in fittings, and in the version for thread-pipe connection with a brass nickel-plated male thread and a push-in fitting.

When there is no pressure, the clear technopolymer bell looks empty.

When there is pressure, a red signal appears.

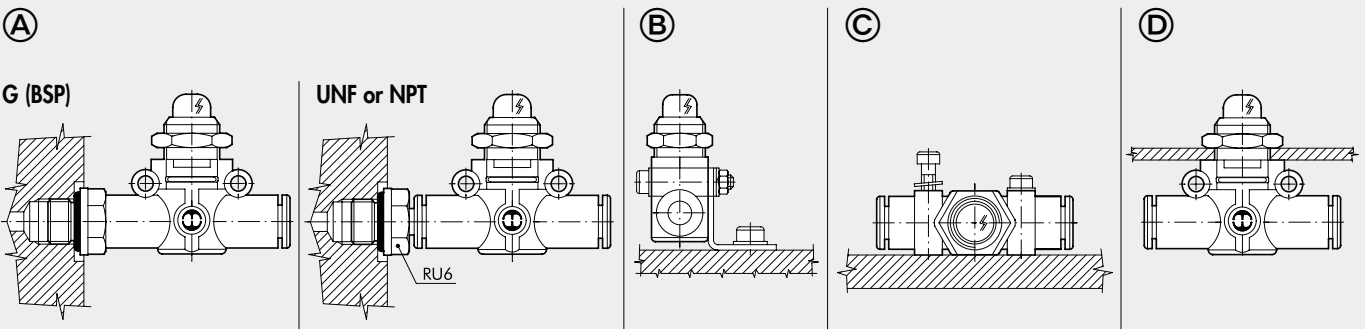
The clear bell can be cleaned using normal detergents or ethyl alcohol, as the technopolymer used is fully compatible.



TECHNICAL DATA

		Ø 6	Ø 1/4"	Ø 8 (Ø5/16")
Operating pressure	MPa		0.2 to 1	
	bar		2 to 10	
	psi		29 to 145	
Temperature range	°C		-20 to +60	
	°F		-4 to +140	
Flow rate at 6.3 bar ΔP 1 bar	NI/min	420	420	800
Colour with pressure		Orange - Green		
Recommended pipe		Rilsan PA11 - Nylon 6 - Polyamide 12 - Polypropylene		
Fluid		Lubricated or unlubricated filtered compressed air; if used, must be continuous		
Compatibility with oils		See chapter Z1		

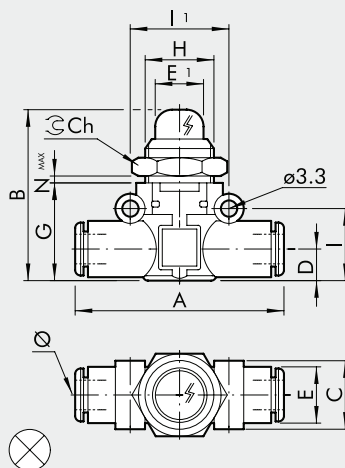
ASSEMBLY OPTIONS



How to mount the LAM L:

- Fig. **A** **G (BSP)**: With the male threaded port it is possible to mount the LAM L straight onto the female thread.
UNF or NPT: Adding a RU6 fitting, with his male UNF or NPT thread, it is possible to mount the LAM L straight on to the actuator or the control valve.
- Fig. **B** Fixing to the plate with the special SQU L bracket.
- Fig. **C** There are two robust rings on the plastic body for fixing the LAM L straight onto the wall.
- Fig. **D** The ring nut is screwed onto the threaded metal part of the LAM L body for panel mounting.

LAM L PIPE - PIPE



Code	Ref.	Ø	A	B	C	D	E	E1	G	H	I	I1	Ch	Nmax
9068016	LAM L Ø6-Ø6-A	6	49.4	37	14.7	6.4	11.4	10.6	21	M15x1	14.6	20	17	4.5
9068216	LAM L Ø6-Ø6-V													
9068016U	LAM L Ø1/4-Ø1/4-A	1/4	49.4	37	14.7	6.4	11.4	10.6	21	M15x1	14.6	20	17	4.5
9068216U	LAM L Ø1/4-Ø1/4-V													
9068024	LAM L Ø8-Ø8-A	8 ▲	57.3	41	18.7	9.1	13.8	10.6	26	M15x1	18.7	24	17	4.5
9068224	LAM L Ø8-Ø8-V													

A = Orange; V = Green

▲ Ø8 = Ø5/16"