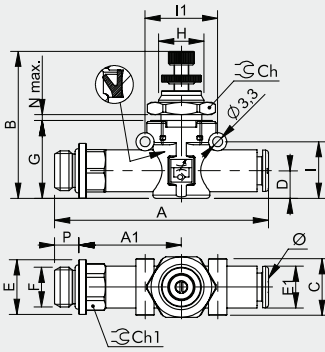
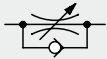
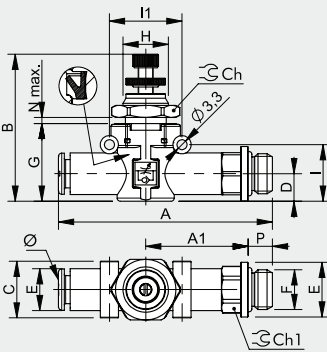


RFL L G (BSP) THREAD - PIPE UNIDIRECTIONAL CYLINDER VERSION


| Code | Ref. | F | Ø | P | A | A1 | B | C | D | E | E1 | G | H | I | I1 | Ch | Ch1 | Nmax |
|---------|---------------|-----|-----|---|------|------|-----------|------|-----|-----|------|------|----------|------|----|----|-----|------|
| 9041401 | RFL LU M5-Ø4 | M5 | 4 ▲ | 4 | 47.7 | 22.7 | 35.5±38.5 | 10.7 | 5.6 | 9.9 | 10 | 17.5 | M9x0.75 | 12.8 | 16 | 11 | 9 | 4 |
| 9041402 | RFL LU 1/8-Ø4 | 1/8 | 4 ▲ | 6 | 51.6 | 24.6 | 35.5±38.5 | 10.7 | 5.6 | 14 | 10 | 17.5 | M9x0.75 | 12.8 | 16 | 11 | 12 | 4 |
| 9041408 | RFL LU 1/8-Ø6 | 1/8 | 6 | 6 | 58.5 | 27.8 | 36±41 | 14.7 | 6.4 | 14 | 11.4 | 20 | M12x0.75 | 14.6 | 20 | 15 | 12 | 4 |
| 9041409 | RFL LU 1/4-Ø6 | 1/4 | 6 | 8 | 61.5 | 28.8 | 36±41 | 14.7 | 6.4 | 18 | 11.4 | 20 | M12x0.75 | 14.6 | 20 | 15 | 14 | 4 |
| 9041410 | RFL LU 1/8-Ø8 | 1/8 | 8 ▲ | 6 | 66.2 | 31.8 | 44±49 | 18.7 | 9.1 | 15 | 13.8 | 26 | M15x1 | 18.7 | 24 | 20 | 14 | 4.5 |
| 9041411 | RFL LU 1/4-Ø8 | 1/4 | 8 ▲ | 8 | 70.6 | 34.2 | 44±49 | 18.7 | 9.1 | 18 | 13.8 | 26 | M15x1 | 18.7 | 24 | 20 | 14 | 4.5 |
| 9041412 | RFL LU 3/8-Ø8 | 3/8 | 8 ▲ | 9 | 72.2 | 34.8 | 44±49 | 18.7 | 9.1 | 22 | 13.8 | 26 | M15x1 | 18.7 | 24 | 20 | 17 | 4.5 |

▲ Ø4 = Ø5/32"; Ø8 = Ø5/16"


RFL L PIPE - G (BSP) THREAD UNIDIRECTIONAL VALVE VERSION


| Code | Ref. | Ø | F | P | A | A1 | B | C | D | E | E1 | G | H | I | I1 | Ch | Ch1 | Nmax |
|---------|---------------|-----|-----|---|------|------|-----------|------|-----|-----|------|------|----------|------|----|----|-----|------|
| 9041501 | RFL LU Ø4-M5 | 4 ▲ | M5 | 4 | 47.7 | 22.7 | 35.5±38.5 | 10.7 | 5.6 | 9.9 | 10 | 17.5 | M9x0.75 | 12.8 | 16 | 11 | 9 | 4 |
| 9041502 | RFL LU Ø4-1/8 | 4 ▲ | 1/8 | 6 | 51.6 | 24.6 | 35.5±38.5 | 10.7 | 5.6 | 14 | 10 | 17.5 | M9x0.75 | 12.8 | 16 | 11 | 12 | 4 |
| 9041508 | RFL LU Ø6-1/8 | 6 | 1/8 | 6 | 58.5 | 27.8 | 36±41 | 14.7 | 6.4 | 14 | 11.4 | 20 | M12x0.75 | 14.6 | 20 | 15 | 12 | 4 |
| 9041509 | RFL LU Ø6-1/4 | 6 | 1/4 | 8 | 61.5 | 28.8 | 36±41 | 14.7 | 6.4 | 18 | 11.4 | 20 | M12x0.75 | 14.6 | 20 | 15 | 14 | 4 |
| 9041510 | RFL LU Ø8-1/8 | 8 ▲ | 1/8 | 6 | 66.2 | 31.8 | 44±49 | 18.7 | 9.1 | 15 | 13.8 | 26 | M15x1 | 18.7 | 24 | 20 | 14 | 4.5 |
| 9041511 | RFL LU Ø8-1/4 | 8 ▲ | 1/4 | 8 | 70.6 | 34.2 | 44±49 | 18.7 | 9.1 | 18 | 13.8 | 26 | M15x1 | 18.7 | 24 | 20 | 14 | 4.5 |
| 9041512 | RFL LU Ø8-3/8 | 8 ▲ | 3/8 | 9 | 72.2 | 34.8 | 44±49 | 18.7 | 9.1 | 22 | 13.8 | 26 | M15x1 | 18.7 | 24 | 20 | 17 | 4.5 |

▲ Ø4 = Ø5/32"; Ø8 = Ø5/16"

