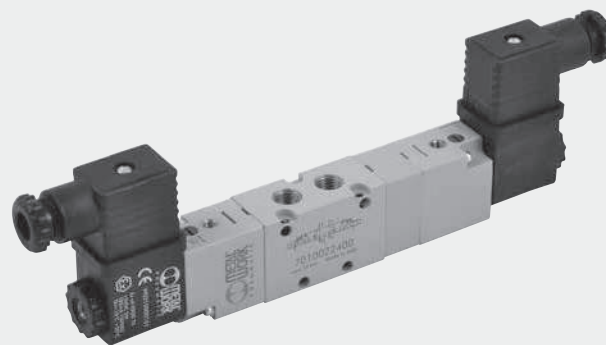


# VALVES SERIES 70, SOLENOID/PNEUMATIC

TECHNICAL DATA	1/8"	1/4"	3/8"	1/2"
Operating pressure:				
• monostable and bistable differential	bar 2.5 to 10			
• bistable	bar 1 to 10			
• asserved	bar Vacuum to 10			
Minimum pilot pressure	bar 2.5			
Operating temperature range	°C -10 to +60			
Nominal diameter	mm 5	7.5	13.3	15
Conductance C	NI/min · bar 121.43	264.26	505.52	971.43
Critical ratio b	bar/bar 0.32	0.27	0.32	0.43
Flow rate at 6 bar ΔP 0.5 bar	NI/min 400	750	1560	3200
Flow rate at 6 bar ΔP 1 bar	NI/min 550	1100	2150	4600
TRA / TRR monostable at 6 bar	ms 15/35	19/45	21/72	36/100
TRA / TRR bistable at 6 bar	ms 20/20	21/21	18/18	25/25
Coil voltage values	12; 24 VDC - 24; 110; 220V AC 50/60Hz			
Power	2 W (DC) 3.5VA (AC)			
Voltage tolerance	% -10 to +15			
Insulation class	F 155			
Maximum coil nut torque	Nm 1			
Hand operation	Bistable			*



\* Bistable on solenoid pilot. Monostable on valve body.

## SYNOPTIC, SIZES AND VERSIONS

SOV	2	3	SO	S	NC
FAMILY	DIMENSIONS	FUNCTION	OPERATORS 14	RESETTING (12)	FURTHER DETAILS
SOV solenoid/ pneumatic	2 1/8"	3 3/2	SO solenoid	S mechanical springs	OO no indication
	3 1/4"	5 5/2	SE solenoid assisted	B bistable	NC normally closed
	C 3/8"	6 5/3		D differential	NO normally open
	4 1/2"	■ 8 2-3/2		P pneumatic	CC closed centres
				◆ A pneumatic/mechanical spring	OC open centres
					PC pressure centres
					▲ NC-NO normally closed - normally open

■ Only available for size 1/8" and 1/4"

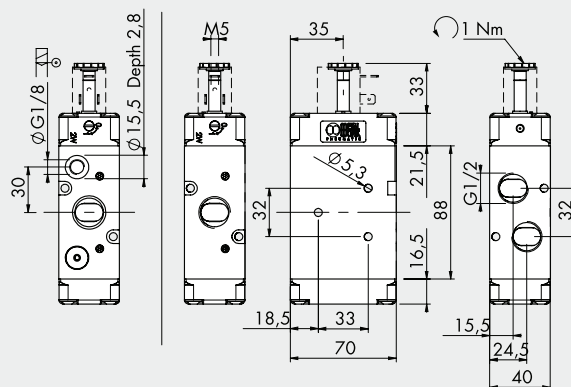
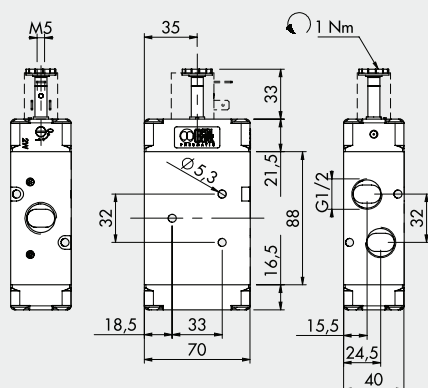
◆ On demand

▲ Only available for function 2-3/2

# VALVES SERIES 70, SOLENOID/PNEUMATIC, PILOT-ASSISTED SOLENOID/PNEUMATIC, 1/2"

## MONOSTABLE 3/2 NO, 1/2"

## MONOSTABLE 3/2 NC, 1/2"



Symbol	Code	Abbrev.	Weight [g]
	7030020400	SOV 43 SOS NO	660

Symbol	Code	Abbrev.	Weight [g]
	7030020200	SOV 43 SOS NC	660

Symbol	Code	Abbrev.	Weight [g]
	7030020500	SOV 43 SES NC	654