

New deal LUBRICATOR



Lubricator with high lubrication stability.

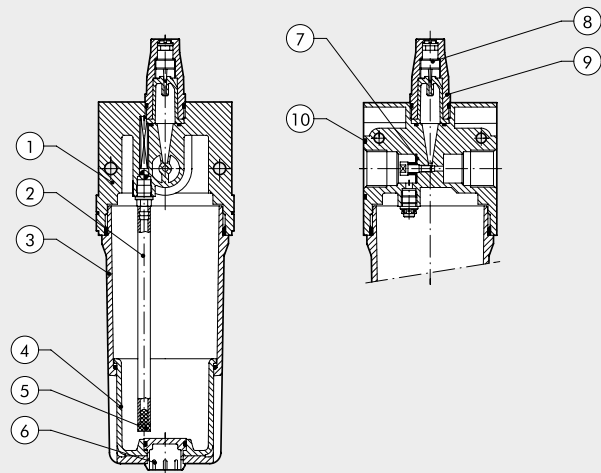
- Quantity of lubricant proportioned to air flow
- Micrometric regulation of lubricant flow
- Activates at low flow rates
- All-round oil level viewing



TECHNICAL DATA	LUB ND 1/4"	LUB ND 3/8"	LUB ND 1/2"	LUB ND 3/4"	LUB ND 1"
Threaded port	1/4"	3/8"	1/2"	3/4"	1"
Type of lubrication	Mist		Mist		Mist
Bowl capacity	cm ³ 50		150		380
Max. inlet pressure	MPa 1.8		1.8		1.8
	bar 18		18		18
	psi 261		261		261
Flow rate at 6 bar (0.6 MPa to 87 psi) ΔP 0.5 bar (0.05 MPa to 7 psi)	Nl/min 700		3000		12800
	scfm 25		107		452
Flow rate at 6 bar (0.6 MPa to 87 psi) ΔP 1 bar (0.1 MPa to 14 psi)	Nl/min 1100		4300		16000
	scfm 39		153		565
Max temperature at 1 MPa; 10 bar; 145 psi	°C 50		50		50
	°F 122		122		122
Weight	kg 0.4		0.9		1.3
Wall fixing screws	M4 x 40		M4 x 55		M6 x 75
Mounting position			Vertical		
Fluid			Filtered compressed air		
Note on use:			<ul style="list-style-type: none"> • Use the screw provided to set the drip rate to drop every 300-600 Nl. • Fit the lubricator as close as possible to the point of use • Fill the bowl with oil before pressurizing the system • Do not use cleaning oil, brake fluid or solvents in general 		
			<ul style="list-style-type: none"> • Recommended lubricants: ISO and UNI FD22 - E.g. Energol HLP 22 (BP) - Spinesso 22 (Esso) - Mobil DTE 22 (Mobil) - Tellus Oil 22 (Shell) 		

COMPONENTS

- ① Zamak body
- ② Rilsan® oil suction pipe
- ③ Aluminium bowl
- ④ Clear technopolymer bowl
- ⑤ Filter
- ⑥ Technopolymer plug
- ⑦ Venturi NBR diaphragm
- ⑧ OT 58 brass oil flow regulation needle
- ⑨ Clear technopolymer cover
- ⑩ NBR gaskets

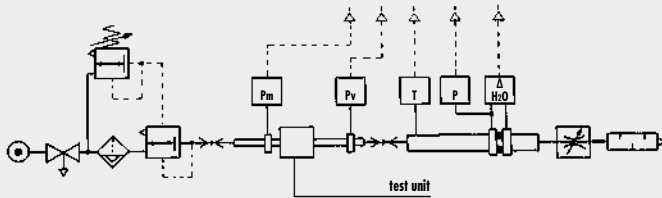


FLOW CHARTS



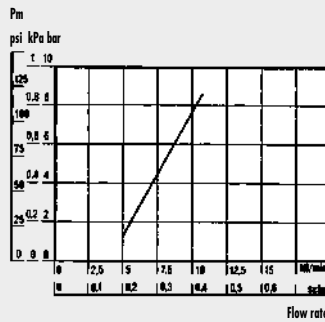
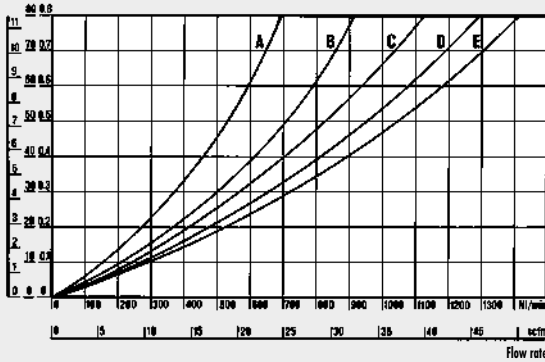
• Flow tests carried out at the Department of Mechanics, Turin Polytechnic, using the computerized test bench following CETOP RP50R recommendations (ISO DIS 6358-2-approved) with ISO 5167 diaphragm gauge.

- (A) = 2 bar - 0.2 MPa - 29 psi
- (B) = 4 bar - 0.4 MPa - 58 psi
- (C) = 6 bar - 0.6 MPa - 87 psi
- (D) = 8 bar - 0.8 MPa - 116 psi
- (E) = 10 bar - 1 MPa - 145 psi



LUB 1/4

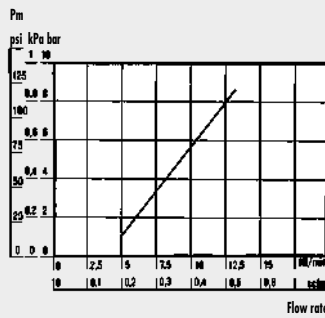
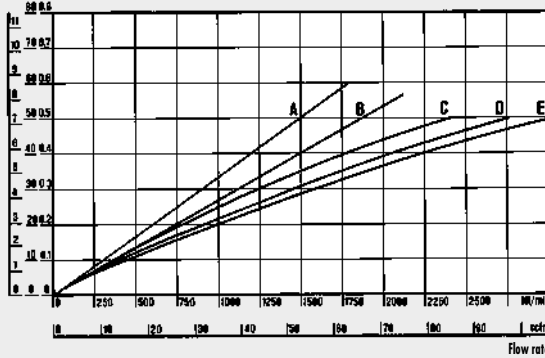
$\Delta P = (P_m - P_v)$
psi kPa bar



MINIMUM ACTIVATION FLOW CHARTS
The minimum activation flow charts were carried out in compliance with ISO/DP 6301/2

LUB 3/8 - 1/2

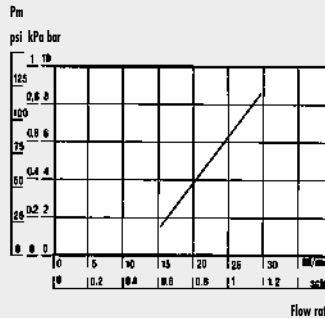
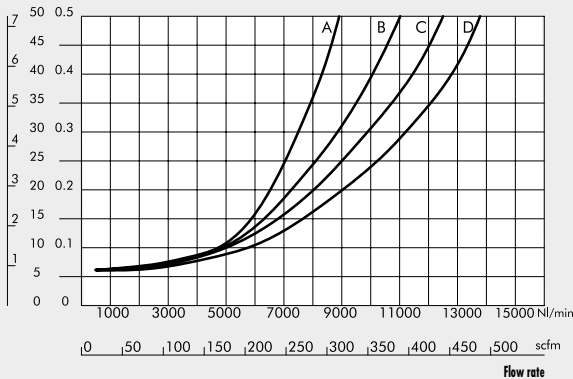
$\Delta P = (P_m - P_v)$
psi kPa bar



MINIMUM ACTIVATION FLOW CHARTS
The minimum activation flow charts were carried out in compliance with ISO/DP 6301/2

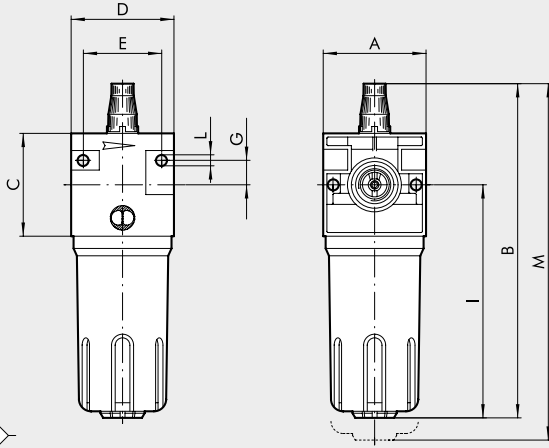
LUB 3/4 - 1"

$\Delta P = (P_m - P_v)$
psi kPa bar



MINIMUM ACTIVATION FLOW CHARTS
The minimum activation flow charts were carried out in compliance with ISO/DP 6301/2

DIMENSIONS



	LUB ND 1/4"	LUB ND 3/8"	LUB ND 1/2"	LUB ND 3/4"	LUB ND 1"
Threaded port	1/4"	3/8"	1/2"	3/4"	1"
A	42	60	80	80	80
B	156	195	260	260	260
C	42	60	80	80	80
D	42	60	80	80	80
E	32	46	66	66	66
G	10	14	22	22	22
I	107	136	182	182	182
L	Hole for M4 screws	Hole for M4 screws	Hole for M6 screws	Hole for M6 screws	Hole for M6 screws
M	176	220	290	290	290

ORDERING CODES

Code	Description
1223001	LUB 1/4
1323001	LUB 3/8
1423001	LUB 1/2
1523001	LUB 3/4
1623001	LUB 1

NOTES